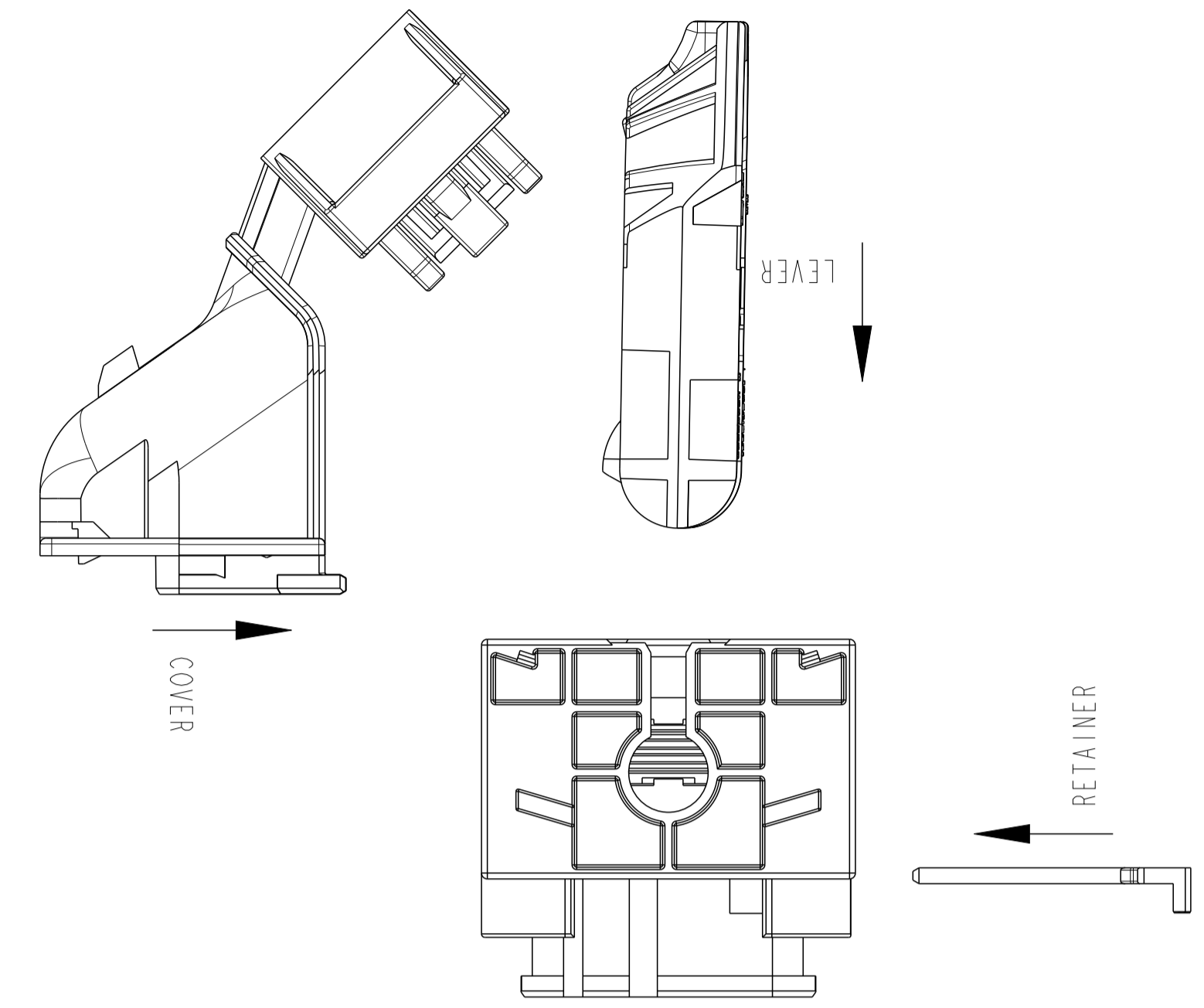
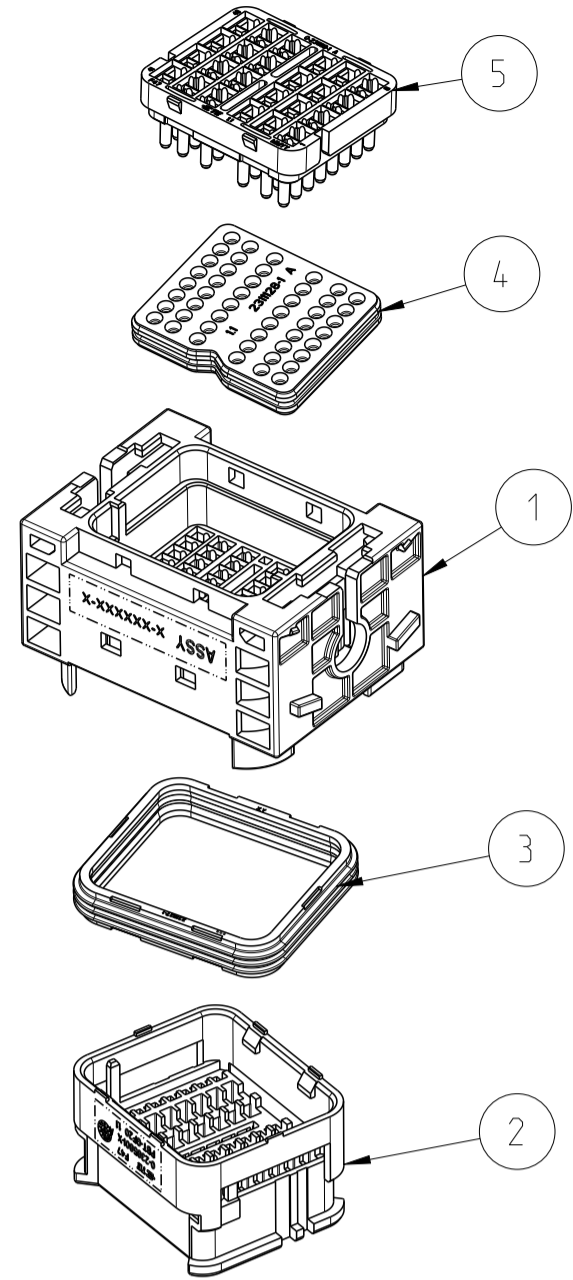
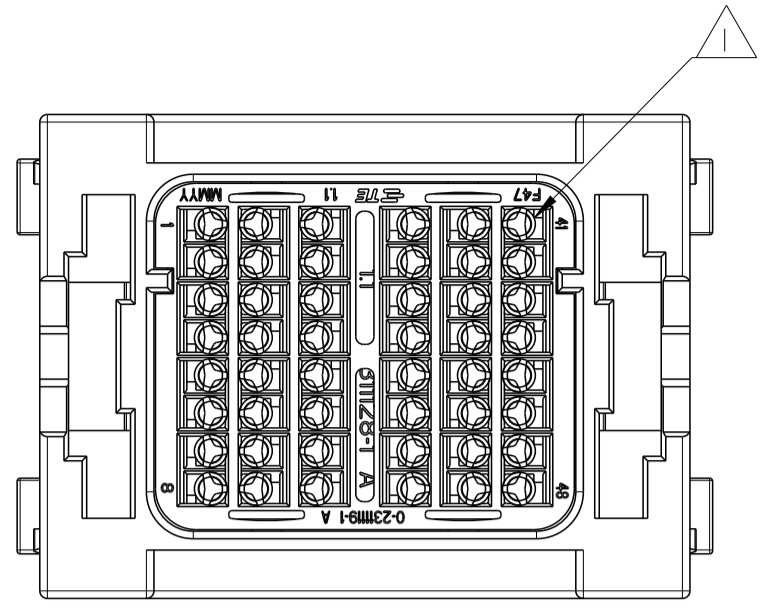
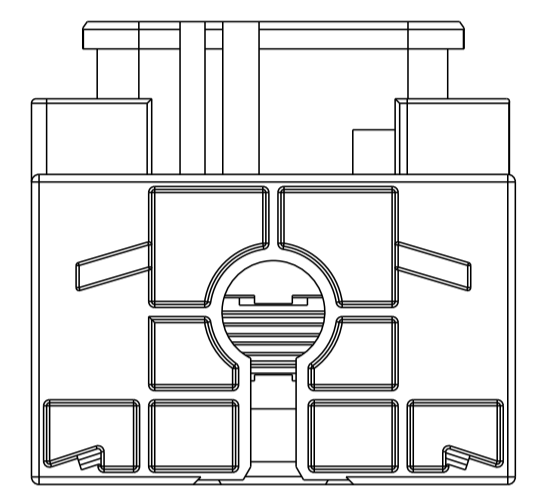
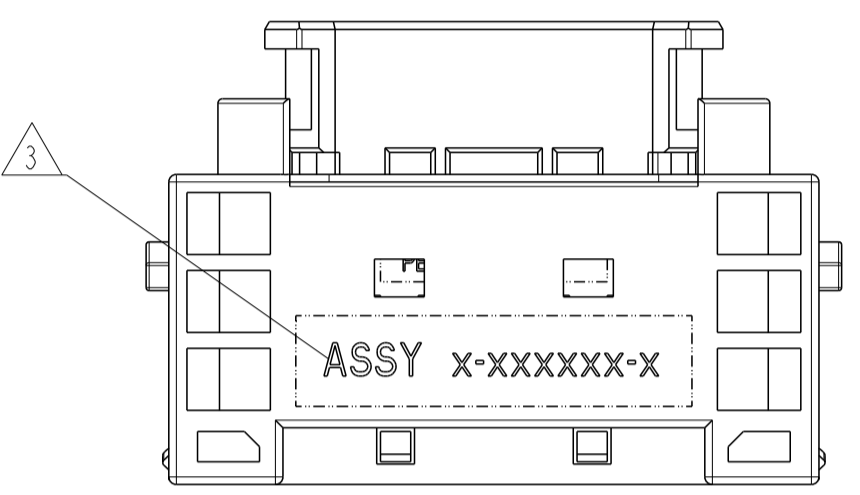


REVISIONS				
P.	LTN	DESCRIPTION	DATE	APVD
A		FIRST RELEASE	02APR2022	O.H. J.Z
A1		ECN-22-183970	1NOV2022	O.H. J.Z



NOTES

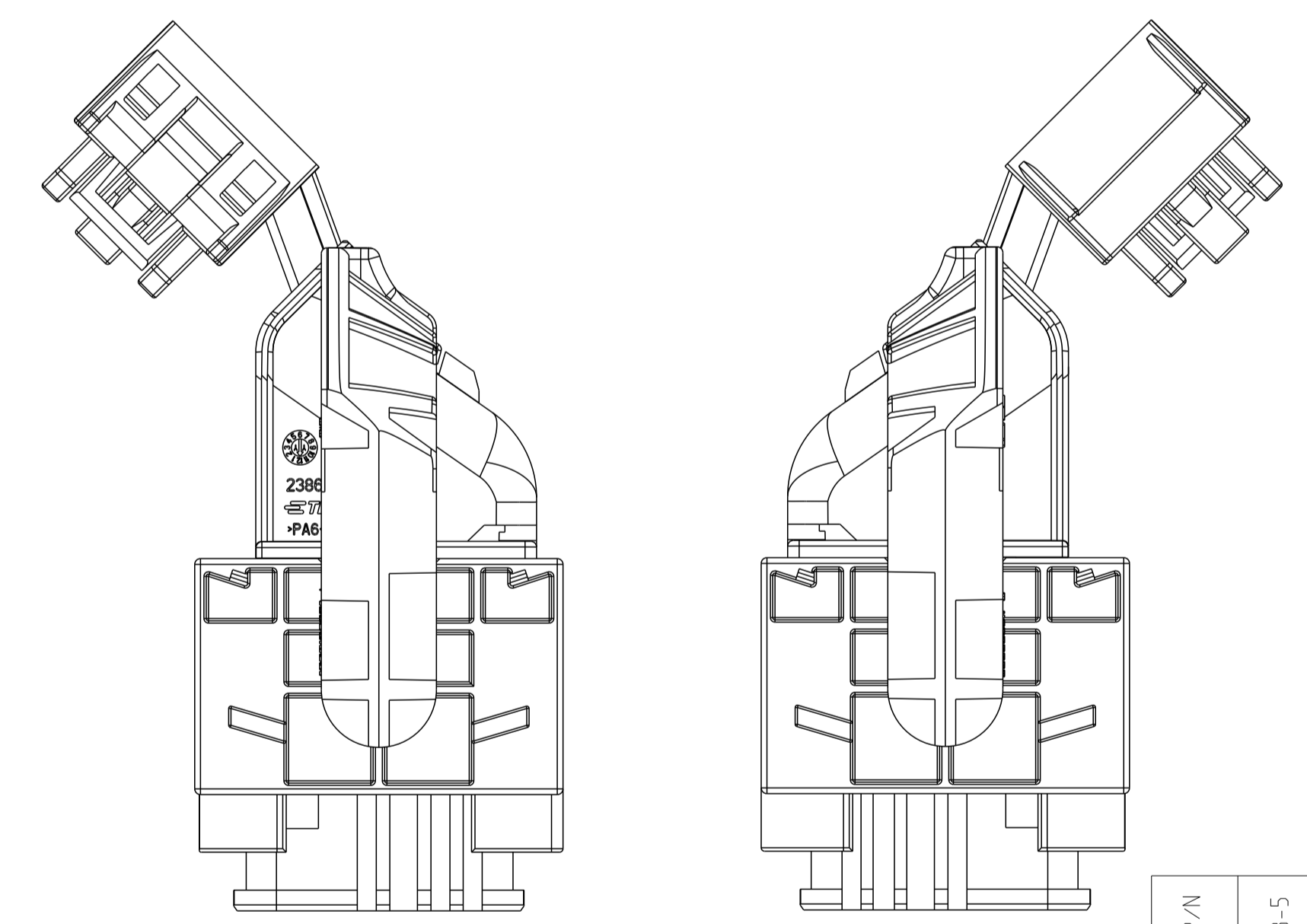
- 1 SUITABLE CONTACT  
 MCON1.2 1534594 0.35mm<sup>2</sup>, INSULATION SIZE  $\varnothing 1.2\text{mm}-\varnothing 1.75\text{mm}$   
 1670144 0.5-0.75mm<sup>2</sup>, INSULATION SIZE  $\varnothing 1.4\text{mm}-\varnothing 1.9\text{mm}$
- 2 ORDER FOR SERIAL DEMAND  
 HOUSING AND OTHER PARTS SHOULD BE ORDERED SEPARATELY  
 DETAIL SEE TABLE ORDER PART NO.
- 3 CORRESPONDING CUSTOMER'S PART NUMBER.
- 4 PACKAGE: IN BOX
- 5 SUITABLE CORRUGATED TUBE SCHLEMMER PA6 V0 UNSLIT, NW17  
 OR THE TUBE WITH SAME DIMENSIONS
- 6 USED WITH RETAINER 2386229-1  
 LEVER 2386230-1  
 COVER 2386231-1



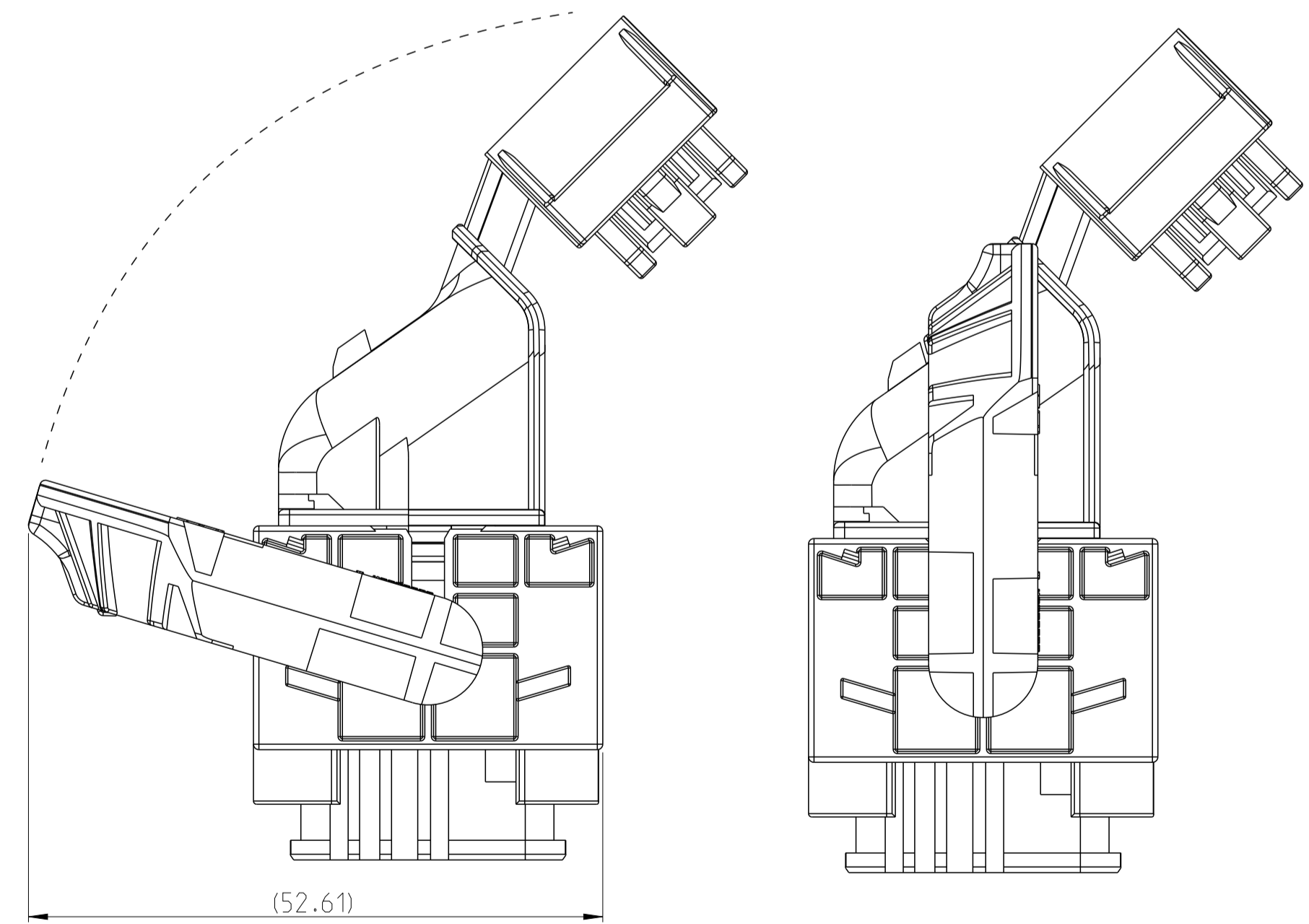
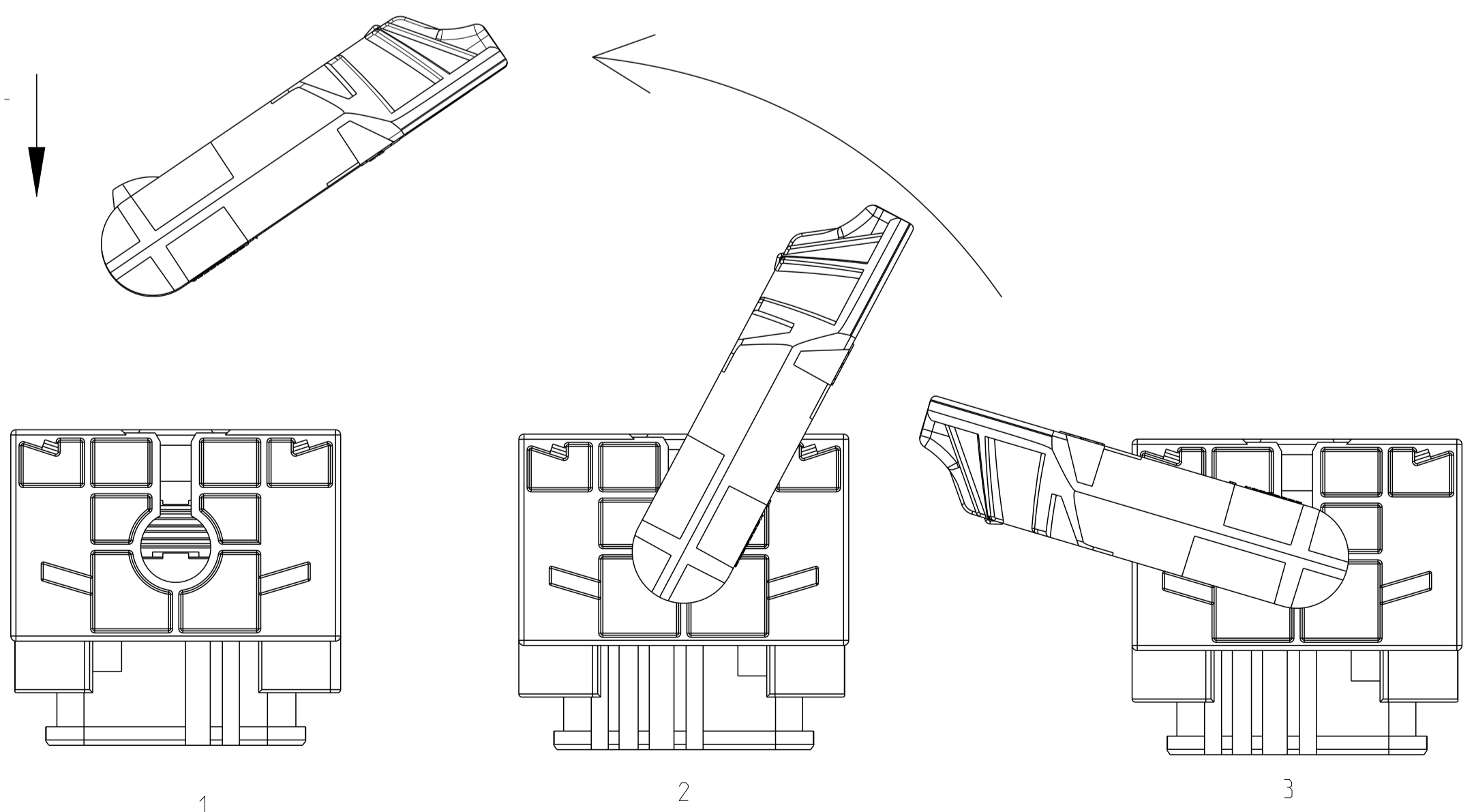
2385803-5 AS SHOWN

LEVER, COVER AND RETAINER ASSEMBLING.  
 DETAIL REFER TO APPLICATION SPECIFICATION.

BOTH CABLE EXIT DIRECTION ARE POSSIBLE



LEVER ASSY



LEVER IN PRE-LOCK POSITION

LEVER IN LOCKING POSITION

NO.	COLOR	MATERIAL	DESCRIPTION	QTY.
5	BLACK	PBT-GF20	SEAL COVER	1
4	BLUE	SILICONE	FAMILY SEAL	1
3	WHITE	MVQ	RADIAL SEAL	1
2	NATURE	PBT-GF20	CAVITY BLOCK	1
1	BLACK	PBT-GF20	HOUSING	1

THIS DRAWING IS A CONTROLLED DOCUMENT. DWN: O.HAN 26MAY2021  
 CHK: S.FAN 26MAY2021  
 APVD: J.ZONG 26MAY2021

DIMENSIONS: mm  
 TOLERANCES UNLESS OTHERWISE SPECIFIED:  
 0 PLC ±0.15  
 1 PLC ±0.2  
 2 PLC ±0.3  
 3 PLC ±0.4  
 ANGLES FINISH ±0.1

MATERIAL: SEE TABLE  
 FINISH: SEE TABLE

NAME: 48POS., MCON1.2 CB. REC. HSG., ASSY SEALED  
 SIZE: A1  
 CAGE CODE: 0771  
 DRAWING NO: C=2385803

RESTRICTED TO: CUSTOMER DRAWING  
 SCALE: 1:1  
 SHEET: 1 OF 1  
 REV: A1