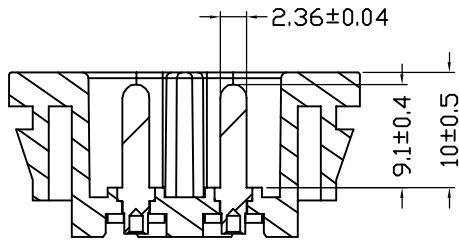
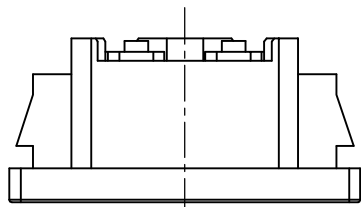


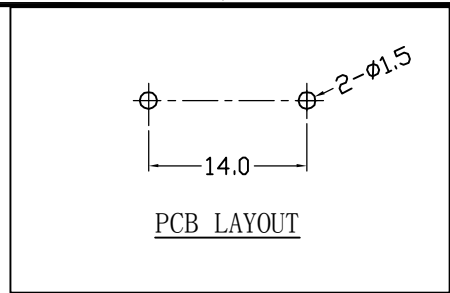
4 3 2 1

D

D



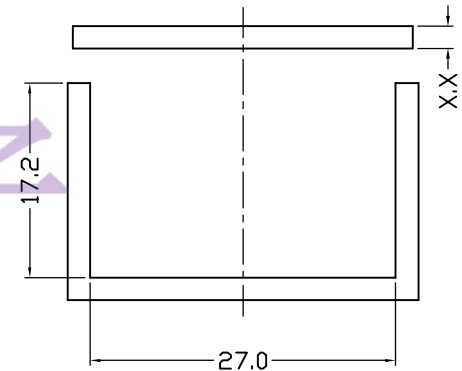
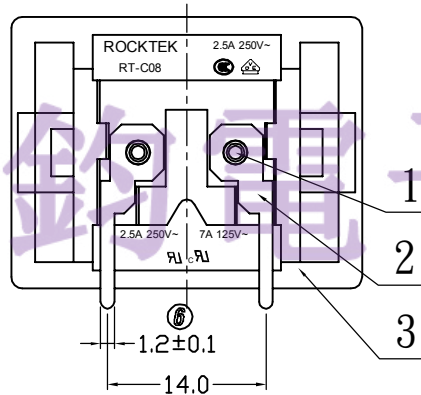
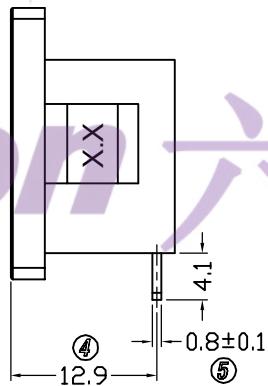
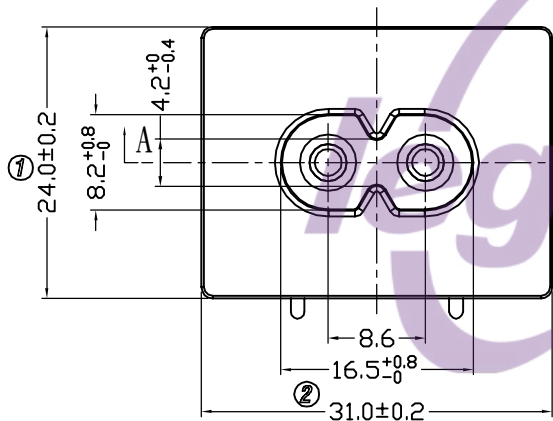
SECTION A-A



PCB LAYOUT

C

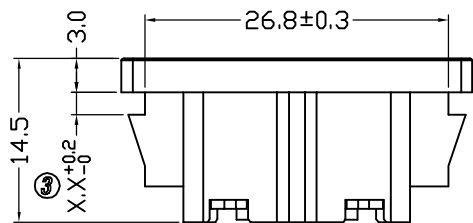
C



PCB CUT-OUT

B

B



品名	X.X
RT-C08-N08-BO	0.8mm
RT-C08-N10-BO	1.0mm
RT-C08-N15-BO	1.5mm
RT-C08-N20-BO	2.0mm

电话: 0769-82310511-867

邮箱: hooya89@hooya.hk

NOTES:

- Rating: 2.5A 250VAC (CCC; VDE)
2.5A 250VAC 7A 125VAC (UL;CUL)
- Contact resistance: 50mΩ Max
- Insulation resistance: >100MΩ (Min) 500VDC
- Dielectric strength: >2000VAC 0.5mA 1 minutes

NO.	PART NAME	MATERIAL	Q'TY
3	BODY	PA66 UL94V-0 Black	1
2	1# terminal	C2680 1/2H Tin-plating	2
1	1# PIN	C3602 Ni-plating	2

A

A

NO	DESCRIPTION	NO	DESCRIPTION	ANGLES	DIMENSIONAL TOLERANCES	APPROVED	CHECKED	DESIGN	DRAWN	ALL SIZE ARE IN	MM			
⑤	→	⑩	→		DIMENSIONAL TOLERANCES				LMC	SCALE	NO		DRAWING NO. REV.	
④	→	⑨	→		RANGE TOLERANCE				2022.03.01	MAT'L	***			RT-C08-N**-BO WIF122033 A0
③	→	⑧	→	X	±0.30					MATERIAL NO.				
②	→	⑦	→	X.X	±0.20							DRAWING NO. REV.		
①	→	⑥	→	X.XX	±0.10								DRAWING NO. REV.	
NO	DESCRIPTION	NO	DESCRIPTION	ANGLES	±1'	LECIION ELECTRONIC & HARDWARE CO., LTD.								

4 3 2 1