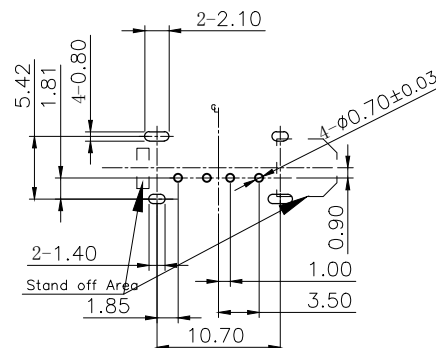


RoHS Compliant

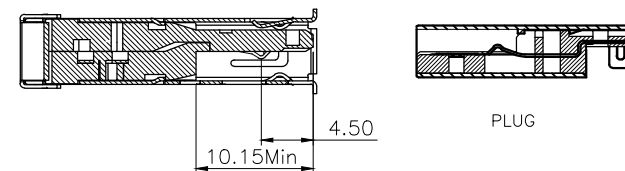
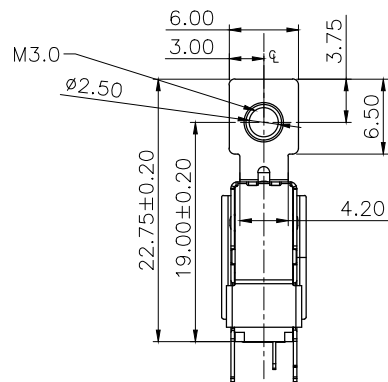
SPECIFICATIONS:
 Contact current Rating:
 1.8 Amperes for pin1&pin4.
 0.25 Amperes other contacts
 Dielectric Withstanding Voltage:AC 100V(RMS)
 Insulation resistance:100Megohms Minimum.
 Contact Resistance:
 30mΩ Max for pin1&pin4
 50mΩMax for other contacts
 Mechanical Characteristics:
 Mating Force:35 Newtons.Maximum
 Unmating Force:10 Newtons.Minimum.
 8N Min After Durability

MATERIAL:
 Housing: LCP+30%GF 94V-0 COLOR:BLACK
 Contact: copper alloy(T=0.25mm)
 Shell: Stainless Steel

PLATING:
 Contact: 1u" Gold Plated on Contact Area,
 80u" Min.Matte Tin Plated on Solder Tails Area,
 50u" Min.Nickel Underplating Over All.
 Shell: 50u" Min.Nickel Underplating Over All.
 operating Temperature:-55°to+85°



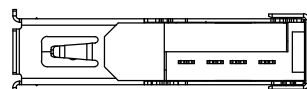
PCB LAYOUT (TOP VIEW)
RECOMMENDED PCB LAYOUT(TOP VIEW)
 GENERAL TOLERANCES:±0.05



FEMALE
SECTION A-A'

ITEM	PART NAME	Material	Q'TY	REMARK
1	4P Semi-	Housing LCP	1	Black UL94V-0
2	manufactured Goods	Contact COPPER ALLOY	4	T=0.25 Plating Gld/Tin
3	5P Semi-	Housing LCP	1	Black UL94V-0
4	manufactured Goods			
5	Shell	SUS304-1/2H	1	T=0.3

Pin Number	Signal Name
1	VBUS
2	D-
3	D+
4	GND
Shell	Shield



單位	mm	*: Inspection Item		HJ-Tech 东莞市皇捷通讯科技有限公司	
比例	1:1	◎:Op/Cpk and SPC Control Item		手机: 15015262131 手机: 13714786106	
張數	1/1	TOLERANCE UNLESS OTHERWISE SPECIFIED		圖號	2LS00S0022
製圖	XCL	.X±0.30	.X'±4'	名稱	USB 2.0 AF 90° 側插
版本	NEW ISSUE	.XX±0.25	.X'±2'	圖號	
REV.	MODIFICATION	.XXX±0.20	.XX±	角法	客戶圖
	DATE	DATE	修改	核准	
	DATE	DATE	修改	核准	
	DATE	DATE	修改	核准	