



TE Internal #: 168341-E

IDC Cable Assembly, 40 Positions, .98 ft [.3 m], Gray Cable, 30 AWG, .05 mm<sup>2</sup>, Ribbon Cable, Socket Housing, Socket Housing, VW-1

[View on TE.com >](#)

Cable Assemblies > Copper Cable Assemblies > Pluggable I/O Cable Assemblies



Cable Assembly Type: IDC

Wire Size: .05 mm<sup>2</sup>

Shielded: No

Cable Assembly Length: .3 m [.98 ft]

## Features

### Product Type Features

|                        |                |
|------------------------|----------------|
| Cable Assembly Type    | IDC            |
| Connector Type (End A) | Socket Housing |
| Connector Type (End B) | Socket Housing |
| Cable Style            | Ribbon Cable   |

### Configuration Features

|                     |    |
|---------------------|----|
| Number of Positions | 40 |
|---------------------|----|

### Electrical Characteristics

|           |       |
|-----------|-------|
| Impedance | 125 Ω |
|-----------|-------|

### Body Features

|                           |      |
|---------------------------|------|
| Cable Color               | Gray |
| Cable Flammability Rating | VW-1 |

### Contact Features

|                                      |           |
|--------------------------------------|-----------|
| Contact Mating Area Plating Material | Gold (Au) |
|--------------------------------------|-----------|

### Mechanical Attachment

|                  |      |
|------------------|------|
| Mating Alignment | With |
|------------------|------|



### Housing Features

|                  |     |
|------------------|-----|
| Housing Material | LCP |
|------------------|-----|

### Dimensions

|           |                     |
|-----------|---------------------|
| Wire Size | .05 mm <sup>2</sup> |
|-----------|---------------------|

### Operation/Application

|          |    |
|----------|----|
| Shielded | No |
|----------|----|

### Other

|                              |              |
|------------------------------|--------------|
| Cable Assembly Configuration | Double Ended |
|------------------------------|--------------|

|                       |               |
|-----------------------|---------------|
| Cable Assembly Length | .3 m [.98 ft] |
|-----------------------|---------------|

### Product Compliance

[For compliance documentation, visit the product page on TE.com>](#)

|   |   |
|---|---|
| EU RoHS Directive 2011/65/EU                  | Compliant   |
| EU ELV Directive 2000/53/EC                   | Not Yet Reviewed  |
| China RoHS 2 Directive MIIT Order No 32, 2016 | No Restricted Materials Above Threshold   |
| EU REACH Regulation (EC) No. 1907/2006        | Current ECHA Candidate List: JUNE 2023 (235)<br>Candidate List Declared Against: JUNE 2022 (224)<br>Does not contain REACH SVHC |
| Halogen Content                               | Not Yet Reviewed for halogen content  |
| Solder Process Capability                     | Not reviewed for solder process capability  |

#### Product Compliance Disclaimer

This information is provided based on reasonable inquiry of our suppliers and represents our current actual knowledge based on the information they provided. This information is subject to change. The part numbers that TE has identified as EU RoHS compliant have a maximum concentration of 0.1% by weight in homogenous materials for lead, hexavalent chromium, mercury, PBB, PBDE, DBP, BBP, DEHP, DIBP, and 0.01% for cadmium, or qualify for an exemption to these limits as defined in the Annexes of Directive 2011/65/EU (RoHS2). Finished electrical and electronic equipment products will be CE marked as required by Directive 2011/65/EU. Components may not be CE marked. Additionally, the part numbers that TE has identified as EU ELV compliant have a maximum concentration of 0.1% by weight in homogenous materials for lead, hexavalent chromium, and mercury, and 0.01% for cadmium, or qualify for an exemption to these limits as defined in the Annexes of Directive 2000/53/EC (ELV). Regarding the REACH Regulation, the information TE provides on SVHC in articles for this part number is based on the latest European Chemicals Agency (ECHA) 'Guidance on requirements for substances in articles' posted at this URL: <https://echa.europa.eu/guidance-documents/guidance-on-reach>

### Compatible Parts



TE Part # 173795-E  
IDCCS SMC 1,27 50 \* AU AUI 300 PVC



TE Part # 173798-E  
IDCCS SMC 1,27 26 \* AU AUI 300 PVC



TE Part # 173801-E  
IDCCS SMC 1,27 12 \* AU AUI 300 PVC



TE Part # 193889-E  
IDCCS SMC 1,27 68 \* AU AUI 200 PVC



TE Part # 193893-E  
IDCCS SMC 1,27 80 \* AU AUI 300 PVC

### Customers Also Bought



TE Part #6609069-2  
12FC10 J0=F7738



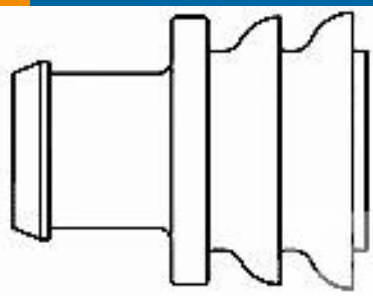
TE Part #9-1462037-9  
IM06CGR=IM RELAY 140mW12V HDV



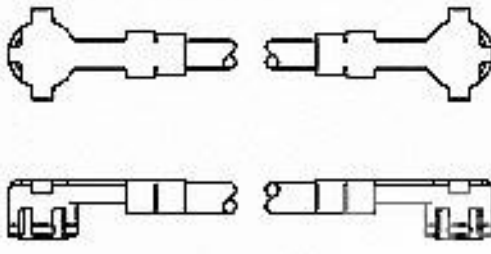
TE Part #3-2176055-7  
RLP73K 2B R33 1% 1K RL



TE Part #1-1879075-3  
THS25 1R0 5%



TE Part #281934-4  
SINGLE WIRE SEAL



TE Part #1064524-1  
9960 1100 24



TE Part #1734035-1  
MINI USB, TYPE B, R/A, SMT



TE Part #5-104186-1  
04 SYS 50 HDR SRRA UNSHRD TIN



TE Part #1055688-1  
2367 5001 54, VERT PLUG



TE Part #168340-E  
IDCCS SMC 1,27 40 \* AU AUI 200 PVC

### Documents



### CAD Files

Customer View Model

[ENG\\_CVM\\_CVM\\_168341-E\\_1.2d\\_dxf.zip](#)

English

Customer View Model

[ENG\\_CVM\\_CVM\\_168341-E\\_1.3d\\_stp.zip](#)

English

Customer View Model

[ENG\\_CVM\\_CVM\\_168341-E\\_1.3d\\_igs.zip](#)

English

**3D PDF**

3D

By downloading the CAD file I accept and agree to the [Terms and Conditions](#) of use.

### Datasheets & Catalog Pages

[Datasheet - ERNI SMC 1.27mm Connectors](#)

[Datasheet - ERNI SMC 1.27mm Connectors](#)

English

[Datasheet - ERNI SMC 1.27mm Connectors](#)

German