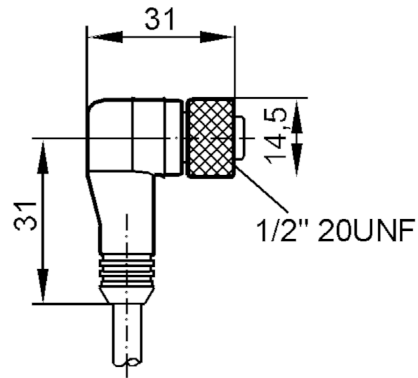


# E18205



## Female cordset

ADOAA030MSS0010X03



Application	
System	gold-plated contacts
Electrical data	
Operating voltage [V]	< 300 AC/DC
Operating conditions	
Ambient temperature [°C]	-45...105
Protection	IP 68
Mechanical data	
Weight [g]	361.966
Dimensions [mm]	31 x 14.5 x 31
Material	TPE
Molded-body material	TPE
Material nut	brass, nickel-plated
Remarks	
Pack quantity	1 pcs.

# E18205



## Female cordset

ADOAA030MSS0010X03

### Electrical connection

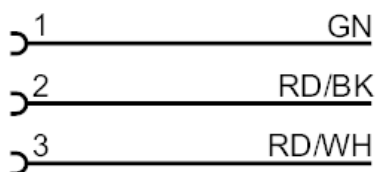
Cable: 10 m, TPE-S, yellow; 3 x 0.34 mm<sup>2</sup> / AWG 22

### Electrical connection - Socket

Connector: 1 x 1/2", angled; coding: C; Moulded body: TPE; Locking: brass, nickel-plated; Contacts: gold-plated



### Connection



GN = green  
RD/BK = red/black  
RD/WH = red/white