

CABLE 272 RF: I-PEX MHF PLUG + BNC STRAIGHT BULKHEAD JACK WITH O-RING RATED TO IP67/68 + MULTIPLE CABLE SIZES

SPECIFICATIONS:

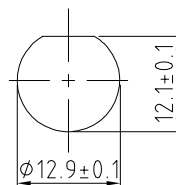
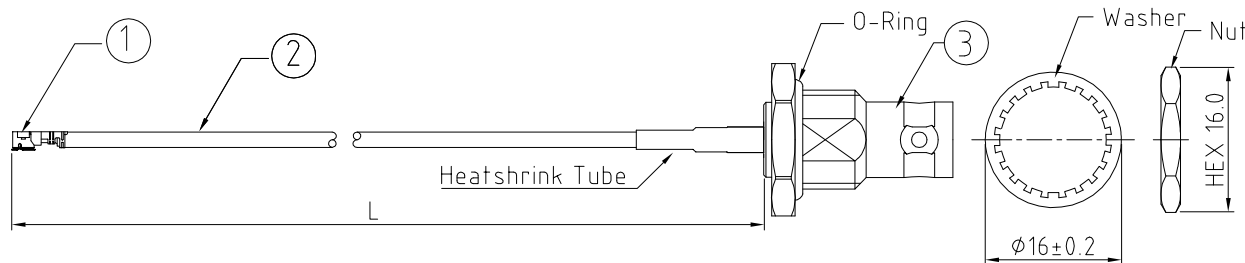
1. IPEX MHF PLUG, P/N: FOR RG178 CABLE: 20278-112R-18, FOR  $\phi$ 1.13MM CABLE: 20278-112R-13, FOR  $\phi$ 1.32 DS CABLE: 20278-112R-32.
2. COAXIAL CABLE, SEE P/N OPTIONS FOR DETAIL.
3. BNC STRAIGHT BULKHEAD JACK WITH O-RING RATED TO IP67/68, P/N: FOR RG178,  $\phi$ 1.13MM,  $\phi$ 1.32MM DS CABLE: RFCT-BNC006-F78.

ENVIRONMENTAL:

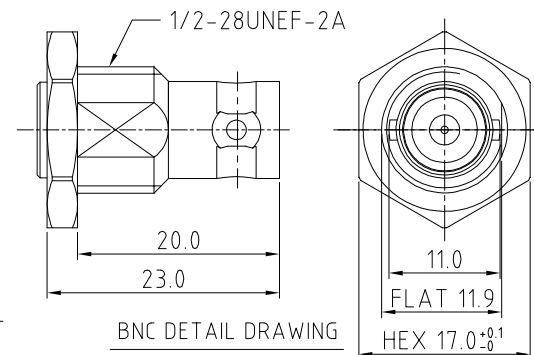
- A. BULKHEAD MOUNTED CONNECTOR (RFCT-BNC006-F78) TESTED TO THE FOLLOWING SPECIFICATION:
- i. IP6X - DUST TIGHT - NO PARTICLE INGRESS.
  - ii. IPX7 WATERPROOF FOR 30 MINUTES UP TO 1 METER UNDERWATER.
  - iii. IPX8 WATERPROOF FOR 48 HOURS AT 1 METER UNDERWATER.
  - iv. IPX8 WATERPROOF FOR 12 HOURS AT 5 METERS UNDERWATER.
  - v. PRESSURE TEST - 1 BAR FOR 10 SECONDS.

NOTES:

1. THE ORIENTATION OF CONNECTORS ON DRAWING IS FOR REFERENCE ONLY, IF THE ORDER IS LEFT BLANK THE CONNECTOR WILL NOT HAVE FIXED ORIENTATION.
2. FIXED ORIENTATION IS SUGGESTED FOR CABLE LENGTH 25MM TO 100MM. PLEASE SPECIFY THE FIXED ORIENTATIONS FROM THE ORDER CODE (F1, F2, ETC)
3. CONTACT GRAD CONN IF THE ORIENTATION YOU REQUIRE IS NOT SHOWN.
4. WORKING FREQUENCY RANGE: DC-3GHz.
5. OPERATING TEMPERATURE: -40°C TO +85°C.
6. IMPEDANCE: 50 OHM.



RECOMMENDED BNC MOUNTING HOLE



BNC DETAIL DRAWING

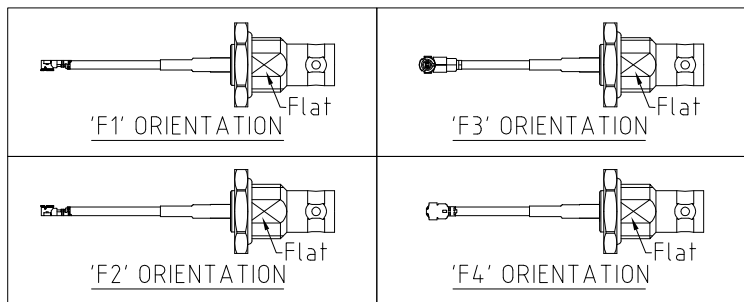
HOW TO ORDER

CABLE 272 RF - XXXX - XX - X - X CABLE SIZE OPTIONS:  
 2 = RG178 CABLE, COLOR: BROWN  
 3 =  $\phi$ 1.13MM CABLE, COLOR: GRAY  
 4 =  $\phi$ 1.32MM DS CABLE, COLOR: GRAY

"L" LENGTH IN MM  
 eg: 100MM = 0100  
 (MIN. = 0050, MAX. = 2000, STANDARD = 0100, 0150, 0200)  
 Tolerance: 50-200mm:  $\pm$ 5mm.  
 201-500mm:  $\pm$ 7mm.  
 >500mm:  $\pm$ 10mm.

O-RING, WASHER AND NUT OPTIONS:  
 BLANK = SEPARATELY PACKED (STANDARD)  
 A = ASSEMBLED WITH CONNECTOR

ORIENTATION OPTIONS:  
 BLANK = DOES NOT HAVE A FIXED ORIENTATION  
 F1 = MHF CONNECTION DOWN (L=25-200MM)  
 F2 = MHF CONNECTION UP (L=25-200MM)  
 F3 = MHF CONNECTION SAME AS BNC D-FLAT (L=25-200MM)  
 F4 = MHF CONNECTION OPPOSITE TO BNC D-FLAT (L=25-200MM)  
 (SEE NOTES 1, 2, 3 AND DIAGRAMS FOR MORE INFORMATION)



REV. DATE & DRN	10 19/05/17 - NYW RELEASE
11 28/07/18 - NYW	ADD CABLE SIZE 2 OPTION
12	ADD OPERATING TEMP.
13 26/09/19 - NYW	ADD 113 CABLE OPTION, ADD F3 & F4 ORIENTATION.
14 27/10/19 - NYW	ADD NOTE 6, CABLE OPTION
15 24/07/20 - NYW	AMEND OPERATING TEMP.
16 07/07/23 - NYW	REMOVE RG178 CABLE OPTION

Scale: NTS	THIRD ANGLE	Unstated X N/A XX N/A XXX N/A ANGLES N/A	Tolerances: N/A N/A N/A N/A
Drawn: NYW			
App'd: XXX	Title CABLE ASSEMBLY		
Date: 7 JUL '23	Revision: 16	Unit: mm	

		Type: Cable 272 RF
IP67/68 Rated Cables		CABLE 272 RF
www.gradconn.com		Drawing Number:
© THIS DRAWING IS CONFIDENTIAL AND MUST NOT BE COPIED OR DISCLOSED WITHOUT WRITTEN CONSENT		Sheet 1 of 1
		Drawing © E and O E