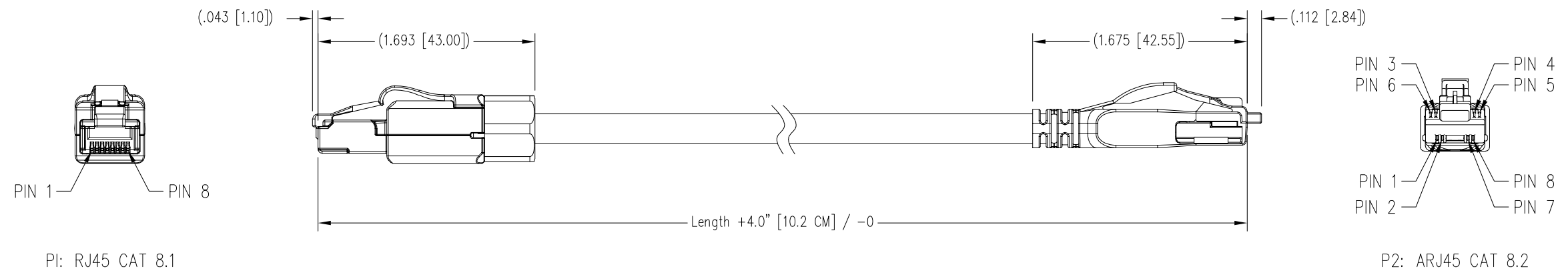


DATE	REV	ECN	APP'D. BY
07/06/20	A0	-	JE

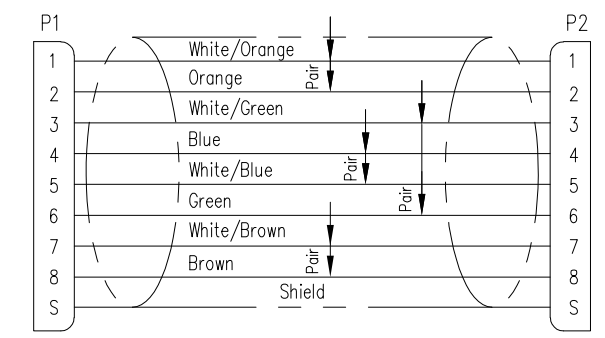


P/N Structure
CA88-xxxU-yy

- 01 = FRNC/LSZH Jacket (ø5.8mm), Grey
- Length Units (See Part Number Reference Table)
 F = Feet
 M = Meters
- Length (See Part Number Reference Table)
 1 Foot Increments
 0.1 Meter Increments
- 88 = RJ45 CAT 8.1 TO ARJ45 CAT 8.2
- Cable Assembly Family

Notes:

- 1) Each cable assembly to be individually bagged.
- 2) Connector Construction:
 - Plastic Housings: Thermoplastic, UL 94 V-0
 - Internal Contacts: Copper Alloy, Tin or Nickel Plating
 - Shield Housings: Zinc Diecast, Tin or Nickel Plating
 - Plug Contacts: Copper Alloy
 - Selective 50µ" Gold plating, Nickel Underplate
- 3) Cable Construction:
 - 4 Pair Flexible, S/FTP, CAT 8.2, Euroclass Dca
 - Stranded bare copper, AWG26
 - PE Primary Wire Insulation
 - Aluminum PETP Foil around each twisted pair
 - Tinned Braided Copper overall screen
 - Jacket Material: See Part Number



Wiring Map

4) 100% Transmission Tested for CAT 8.1 Channel Performance

LENGTH	Part Number
10 FT	CA88-010F-01
2 M	CA88-020M-01



THIRD ANGLE PROJECTION	
DO NOT SCALE DRAWING DRAWING IS SUBJECT TO CHANGE WITHOUT NOTICE	
DIMENSIONS: INCHES [METRIC]	
UNLESS OTHERWISE SPECIFIED TOLERANCES ARE ±.005 [0.13] ANGLES ARE ± 1°	
SHEET NO. 1 OF 1	

11118 Susquehanna Trail South
 Glen Rock, PA 17327-9199
 (717) 235-7512
<http://www.stewartconnector.com>

TITLE: RJ45 CAT 8.1 TO ARJ45 CAT 8.2 HYBRID PATCH CORD ASSEMBLY

DRN BY: ADB	DATE: 05/11/20
APPD BY: JE	DATE: 07/06/20
DWG NO. CTCA88-001	REV. A0

THIS DRAWING AND THE SUBJECT MATTER SHOWN THEREON ARE CONFIDENTIAL AND THE PROPRIETARY PROPERTY OF STEWART CONNECTOR AND SHALL NOT BE REPRODUCED, COPIED, OR USED IN ANY MANNER WITHOUT PRIOR WRITTEN CONSENT OF STEWART CONNECTOR. ONE OR MORE U.S. PATENTS MAY APPLY TO THIS PRODUCT. FOR DETAILS, PLEASE VISIT: [HTTP://BELFUSE.COM/STEWART/STEWART_PATENTS/](http://BELFUSE.COM/STEWART/STEWART_PATENTS/)