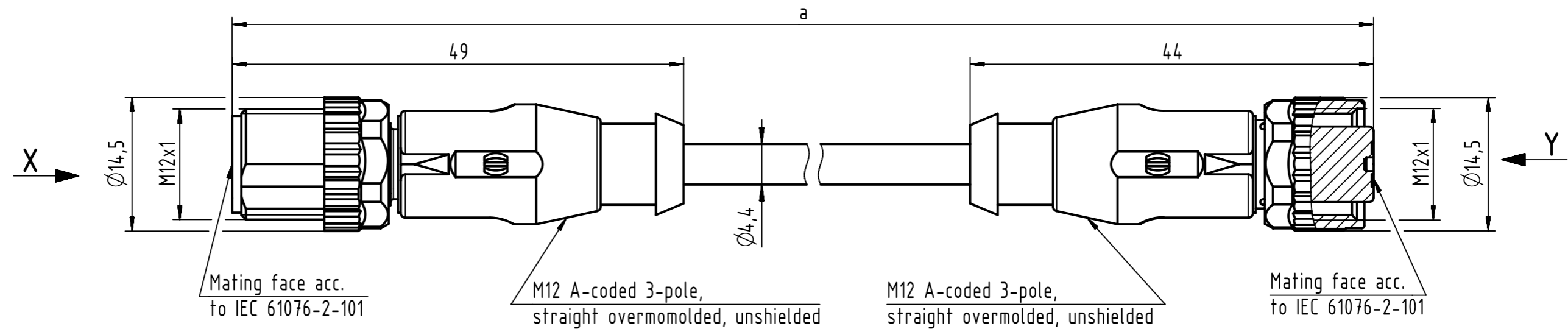


Connector Location A

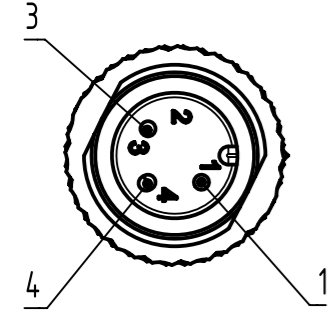
Connector Location B



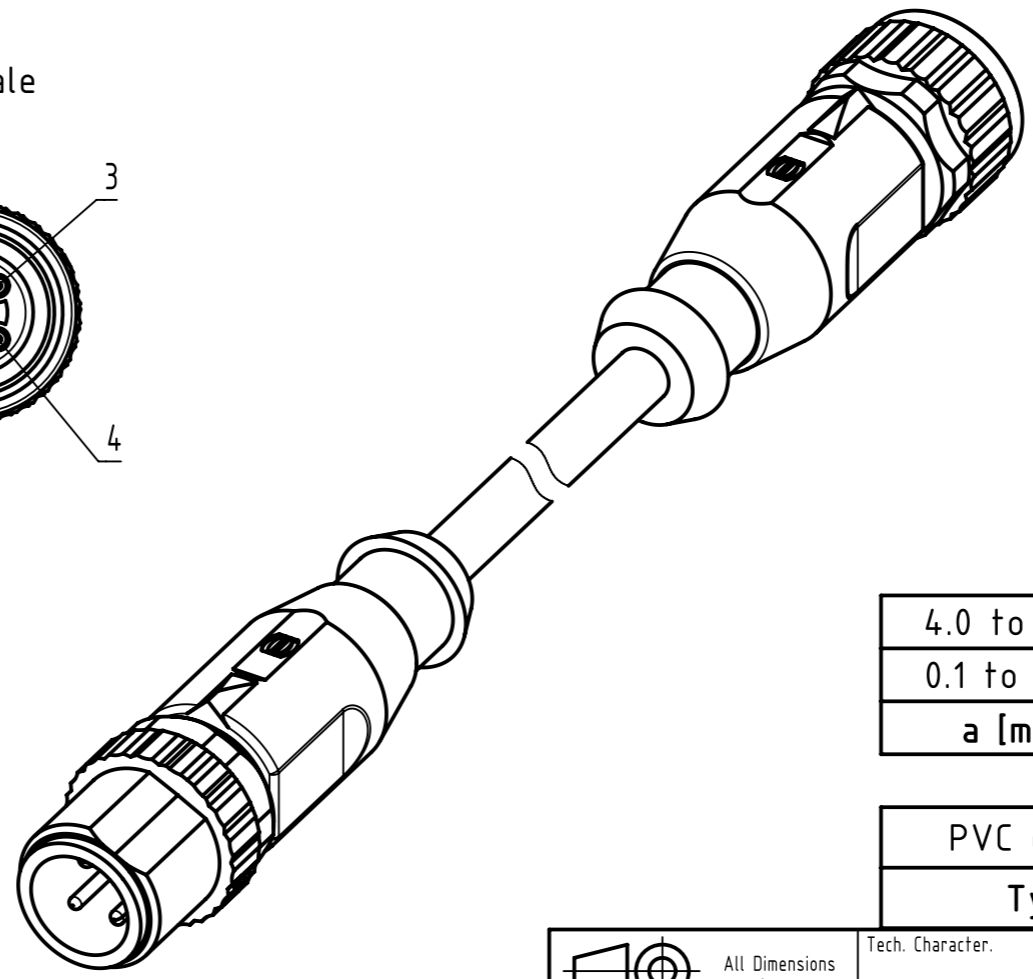
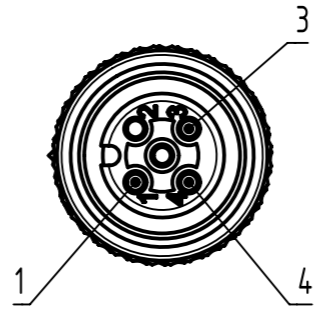
X
male

Y
female

Loading-Plan



- 1 — brown — 1
- 3 — blue — 3
- 4 — black — 4



- Protection level: IP67
- Temperature range: -25°C ... +80°C

4.0 to 40	±1%
0.1 to 3.9	+0.04
a [m]	Tolerance

length in "1m" step	40	XXX=400
	39	XXX=390
	.	.
	12	XXX=120
length in "0.1m" step	11	XXX=110
	10	XXX=100
	9.9	XXX=099
	9.8	XXX=098
	.	.
	0.4	XXX=004
	0.3	XXX=003
	0.2	XXX=002
	0.1	XXX=001
Step	a [m]	XXX

PVC grey, 3x0.34mm ²	21348485383XXX
Type of cable	Part no.

		All rights reserved Department HCS - RO		Created by STOCEVIC Stoceci		Inspected by COSTEA Costea		Standardisation MUNTEANV Muntean		Date 2018-12-14		State Final Release	
HARTING Customised Solutions D-32339 Espelkamp		Title M12 Cable Assembly A-cod st/st m/f				Doc-Key / ECM-Nr. 100578704/UGD/009/C 500000144865							
		Type TB		Number 21348485383XXX				Rev. C		Page 1/1			