



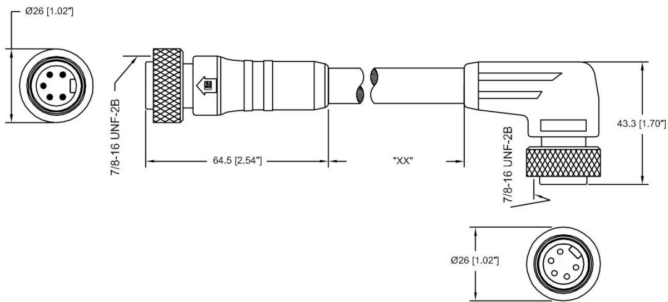
Product: [RSRKW 201-678](#)

7/8" Power Double-Ended Cordset: Male straight to female angled, 2-pin, yellow body, 600 V (UL), 12 A (UL); PVC yellow cable, 16 AWG

Product Description

7/8" Power Double-Ended Cordset: Male straight to female angled, 2-pin, yellow body, 600 V (UL), 12 A (UL); PVC yellow cable, 16 AWG

Technical Drawing



Technical Specifications

Product Description

Product Family:	Power Connector
Brand:	Lumberg Automation
Connector Type:	Cordset, double ended
Shielding:	Unshielded
Rated Voltage (UL):	600 V
Rated Current (UL)*:	12 A

Technical Data Side 1

Product Sub Family:	7/8"
Type of Contact / Gender:	male
Connector Design:	straight
Attachment Type:	Coupling nut with internal threads
Number of Pins:	2
Ambient Temperature (Operation)*:	-40°C to +90°C
Protection Degree / IP Rating**:	IP 67 / NEMA 6P
Contact Base Material:	CuZn
Contact Plating:	gold over silver plated
Contact Bearer Material:	TPU
Contact Bearer Color:	yellow
Molded Body Material:	TPU
Molded Body Color:	yellow

Cable Data

Cable Number:	678
---------------	-----

Conductor Size:	16 AWG
Number of Wires:	2
Cable Jacket Material:	PVC
Cable Jacket Color:	Yellow
Cable Diameter D:	.375" (9.5 mm)
UL Cable Type:	STOW

Technical Data Side 2

Product Sub Family, Side 2:	7/8" Circular Connectors
Type of Contact / Gender, Side 2:	female
Connector Design, Side 2:	angled
Attachment Type, Side 2:	Coupling nut with internal threads
Number of Pins, Side 2:	2
Ambient Temperature (Operation), Side 2*:	-40°C to +90°C
Protection Degree / IP Rating, Side 2**:	* only if mounted and locked in combination with Hirschmann / Lumberg connector.
Contact Base Material, Side 2:	CuZn
Contact Plating, Side 2:	gold over silver plated
Contact Bearer Material, Side 2:	TPU
Contact Bearer Color, Side 2:	yellow
Molded Body Material, Side 2:	TPU
Molded Body Color, Side 2:	yellow

Approvals

UL:	UL 2238 Recognized
-----	--------------------

Safety & Environmental Compliance

RoHS Compliant:	yes
-----------------	-----

Notes

Protection Degree / IP Rating Note:	** only if mounted and locked in combination with Hirschmann / Lumberg Automation connector.
-------------------------------------	--

History

Update and Revision:	Revision Number: 0.63 Revision Date: 03-22-2023
----------------------	---

Variants

Item #	Item Description	Cable Length
500001173	RSRKW 201-678/6F	6 ft
500001174	RSRKW 201-678/12F	12 ft
500001175	RSRKW 201-678/15F	15 ft
500001176	RSRKW 201-678/20F	20 ft
500001178	RSRKW 201-678/30F	30 ft

© 2023 Belden, Inc

All Rights Reserved.

Although Belden makes every reasonable effort to ensure their accuracy at the time of this publication, information and specifications described here in are subject to error or omission and to change without notice, and the listing of such information and specifications does not ensure product availability.

Belden provides the information and specifications herein on an "ASIS" basis, with no representations or warranties, whether express, statutory or implied. In no event will Belden be liable for any damages (including consequential, indirect, incidental, special, punitive, or exemplary damages) whatsoever, even if Belden has been advised of the possibility of such damages, whether in an action under contract, negligence or any other theory, arising out of or in connection with the use, or inability to use, the information or specifications described herein.

All sales of Belden products are subject to Belden's standard terms and conditions of sale.

Belden believes this product to be in compliance with all applicable environmental programs as listed in the data sheet. The information provided is correct to the best of Belden's knowledge, information and belief at the date of its publication. This information is designed only as a general guide for the safe handling, storage, and any other operation of the product itself or the one that it becomes a part of. The Product Disclosure is not to be considered a warranty or quality specification. Regulatory information is for guidance purposes only. Product users are responsible for determining the applicability of legislation and regulations based on their individual usage of the product.