

APPROVAL SHEET

Customer Name : _____
 Customer P/N : _____
 Frequency : 26.000000 MHz
 Aker Approved P/N: CXAF-026000-3-AL-14
 Aker MPN : CXAF-026000-3-AL-14
 Rev. : 1
 ISSUE DATE : Nov.15.2022

| APPROVED | CHECKED | PREPARED |
|----------------------|---------|-------------|
| <i>Leaf</i> | | <i>Kika</i> |
| APPROVED BY CUSTOMER | | |
| | | |

AKER TECHNOLOGY CO., LTD.

ADDRESS : NO 11-3, Jianguo Rd., Tanzi Dist., Taichung City 427, Taiwan.

TEL : 886-4-25335978 FAX : 886-4-25336011

Web: www.aker.com.tw

MSL:Level 1

RoHS compliant

IATF 16949 Certified

AEC-Q200 Qualified

SMD CRYSTAL SPECIFICATION

1. ELECTRICAL CHARACTERISTICS

■ Standard atmospheric conditions

Unless otherwise specified , the standard range of atmospheric conditions for making measurement and tests are as follow :

Ambient temperature : $25 \pm 5^{\circ}\text{C}$

Relative humidity : 40%~70%

If there is any doubt about the results , measurement shall be made within the following limits :

Ambient temperature : $25 \pm 3^{\circ}\text{C}$

Relative humidity : 40%~70%

■ AKER Model : CXAF-321

■ Oscillation Mode : Fundamental

■ Cutting Mode : AT CUT

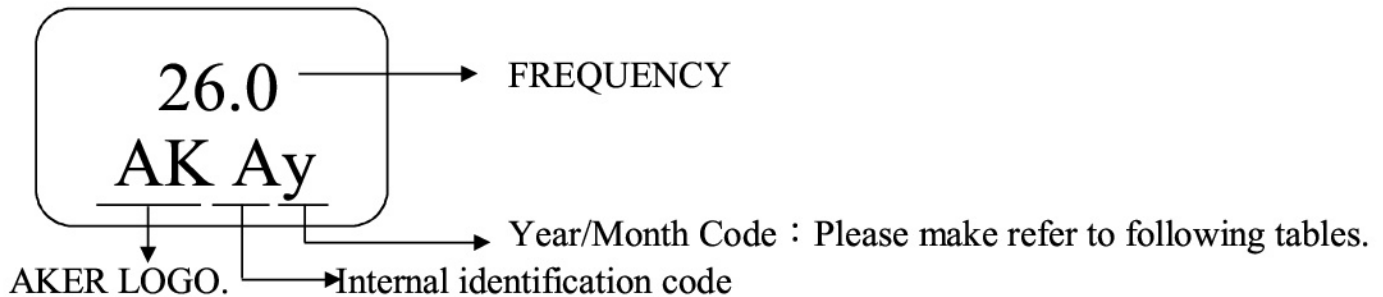
■ Measurement Equipment : 250B(Measured FL)

■ Insulation Resistance : More than 500M ohms at DC 100V

| Parameters | Symbol | Electrical Spec | | | | Notes |
|------------------------------|--------|-----------------|------|------|--------------------|---|
| | | Min. | Typ. | Max. | Units. | |
| Nominal Frequency | FL | 26.000000 | | | MHz | |
| Frequency Tolerance | | ± 7 | | | ppm | at $25^{\circ}\text{C} \pm 3^{\circ}\text{C}$ |
| Frequency Stability | | ± 50 | | | ppm | Operating Temp (Refer 25°C) |
| Load Capacitance | CL | 19 | | | pF | |
| Aging | | ± 3 | | | ppm | First Year |
| Operating Temperature | | -40 | ~ | 125 | $^{\circ}\text{C}$ | |
| Storage Temperature Range | | -55 | ~ | 150 | $^{\circ}\text{C}$ | |
| Drive Level | DL | | 10 | 200 | μW | |
| Equivalent Series Resistance | ESR | | | 60 | Ω | @Series |
| Shunt Capacitance | C0 | | | 3 | pF | |

Please kindly be noted that AKER DO NOT guarantee parts quality which involves human security application.

2 . MARKING :



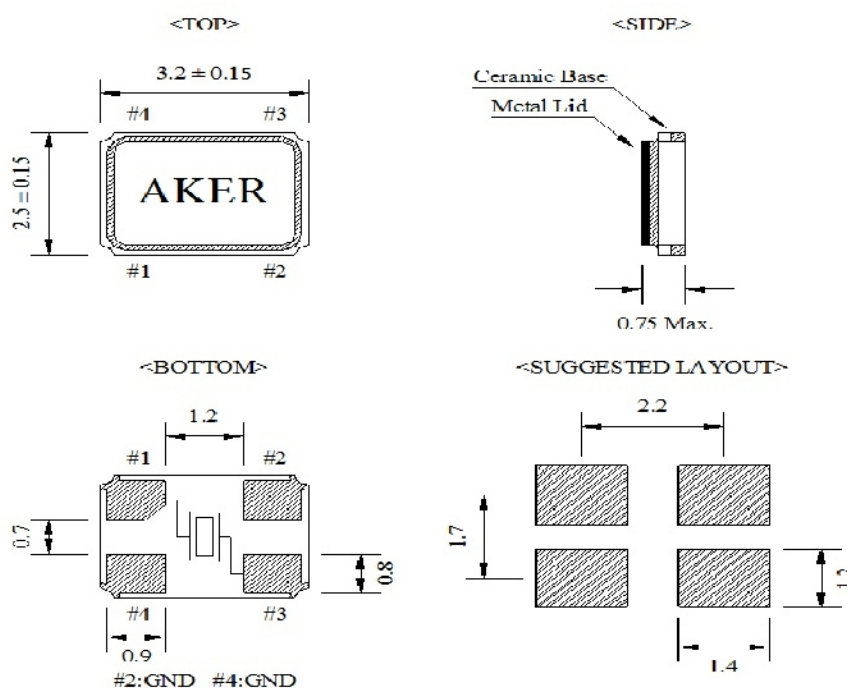
Date Code Guide

| Year | 2021 | 2022 | 2023 | 2024 |
|-------|--------|--------|--------|--------|
| | 2025 | 2026 | 2027 | 2028 |
| Month | (4N+1) | (4N+2) | (4N+3) | (4N+0) |
| JAN | a | n | A | N |
| FEB | b | p | B | P |
| Mar | c | q | C | Q |
| Apr | d | r | D | R |
| May | e | s | E | S |
| Jun | f | t | F | T |
| Jul | g | u | G | U |
| Aug | h | v | H | V |
| Sep | j | w | J | W |
| Oct | k | x | K | X |
| Nov | l | y | L | Y |
| Dec | m | z | M | Z |

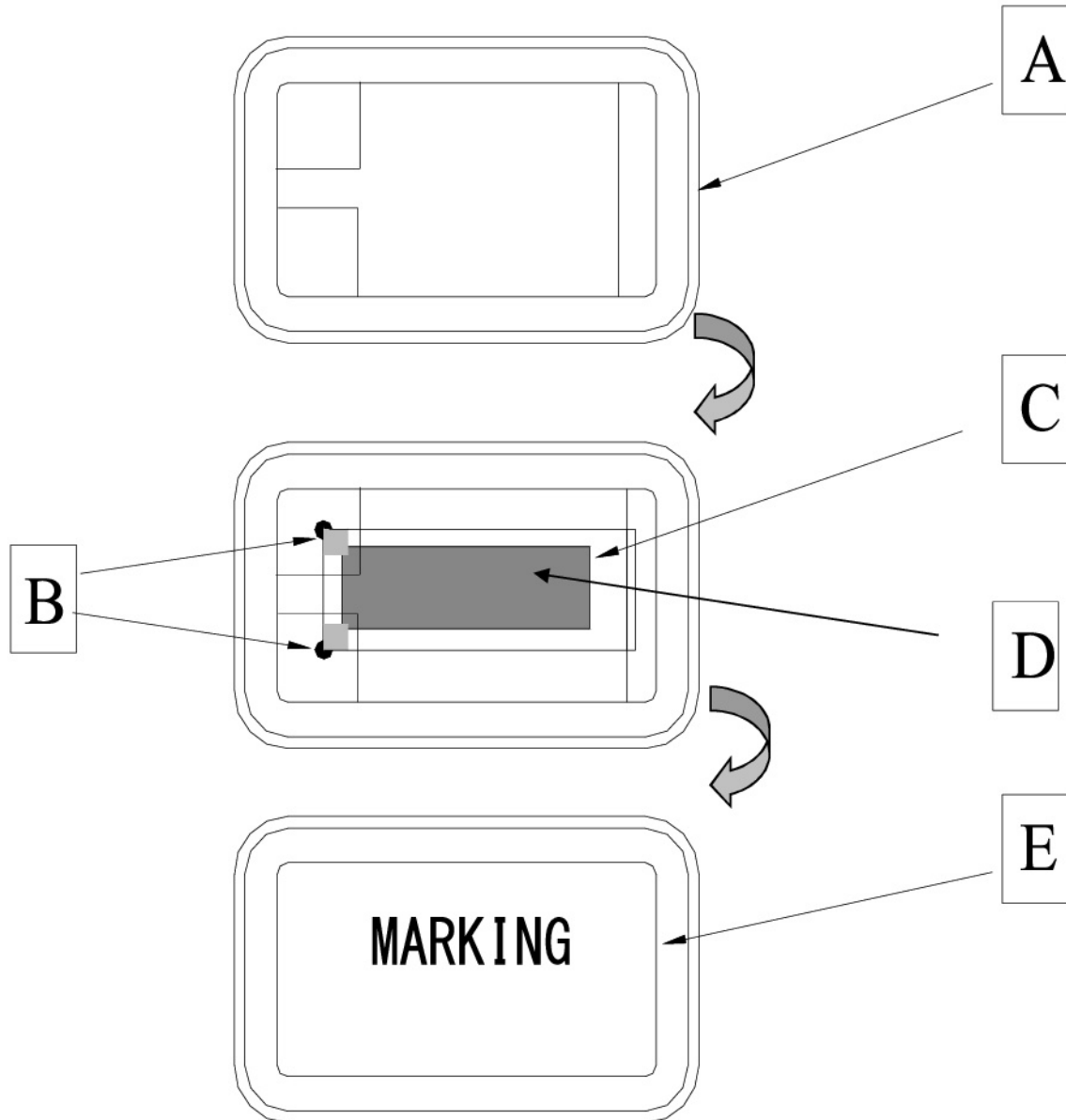
A cycle every four years

3 . DIMENSION :

(Unit : mm)



4. STRUCTURE ILLUSTRATION

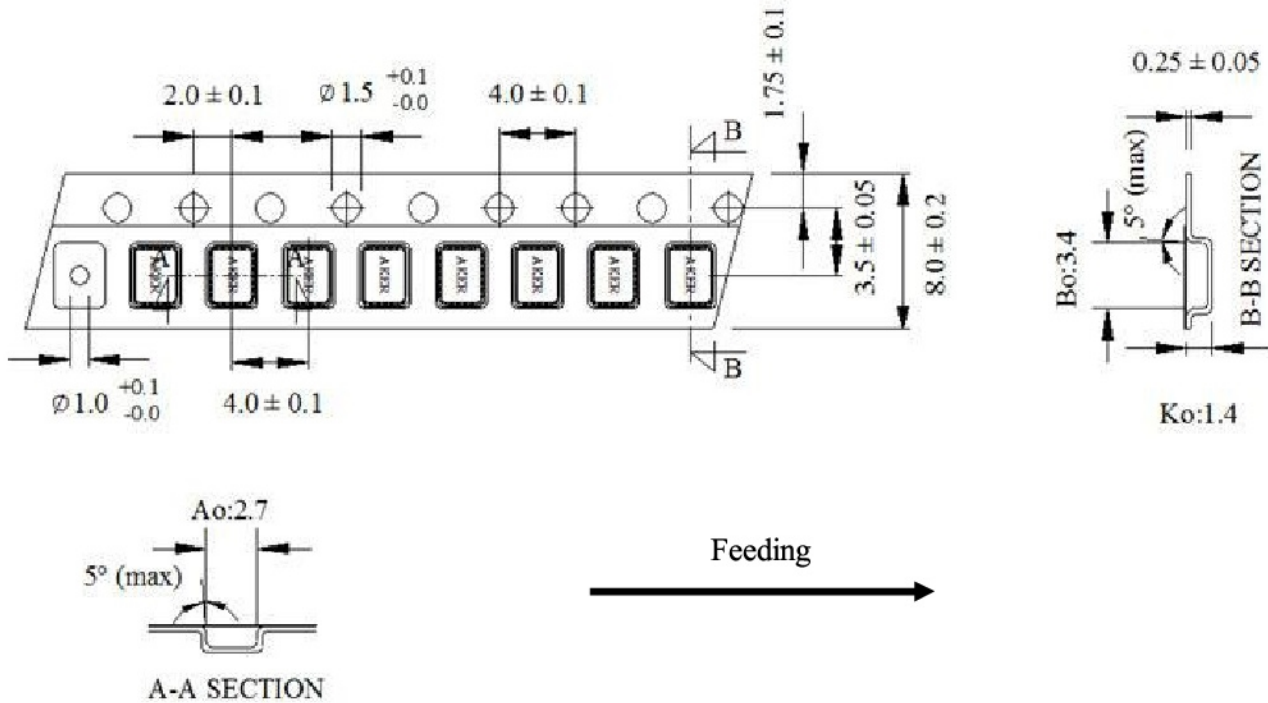


| COMPONENTS | | MATERIALS | COMPONENTS | | MATERIALS |
|------------|---------------------|--------------------------------------|------------|-----------|-----------|
| A | Base (Package) | Ceramic(Al_2O_3)+Kovar(Fe/Co/Ni) | D | Electrode | Cr / Ag |
| B | Conductive adhesive | Ag / Silicon resin | E | Lid | Fe/Co/Ni |
| C | Crystal blank | SiO_2 | | | |

5. PACKING :

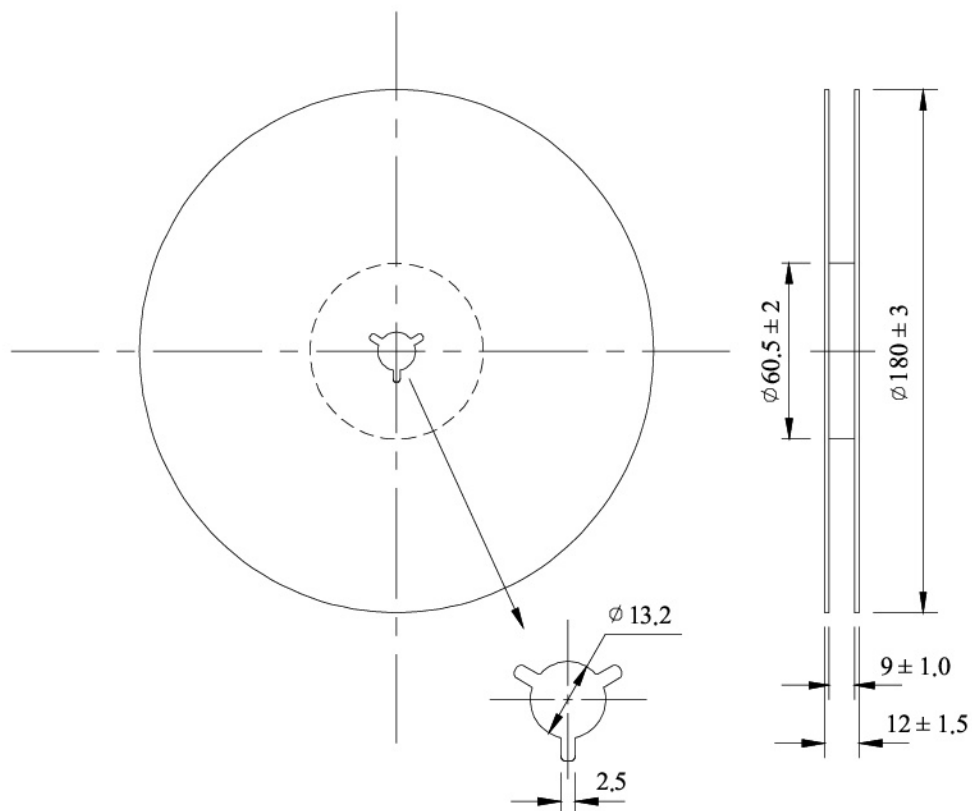
TAPE SPECIFICATION

(Unit : mm)

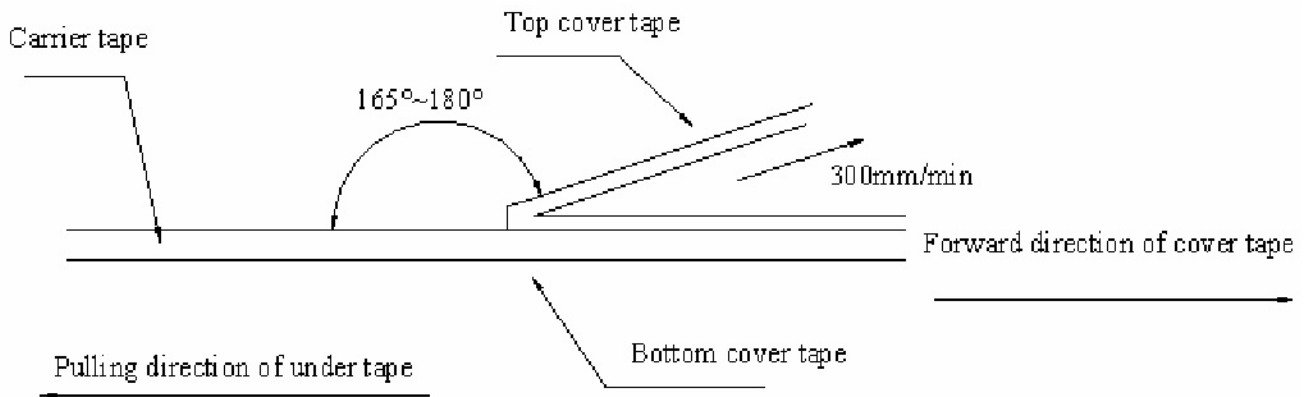


OUTLINE DIMENSION

(Unit : mm)



6. COVER TAPE ADHESION STRENGTH :

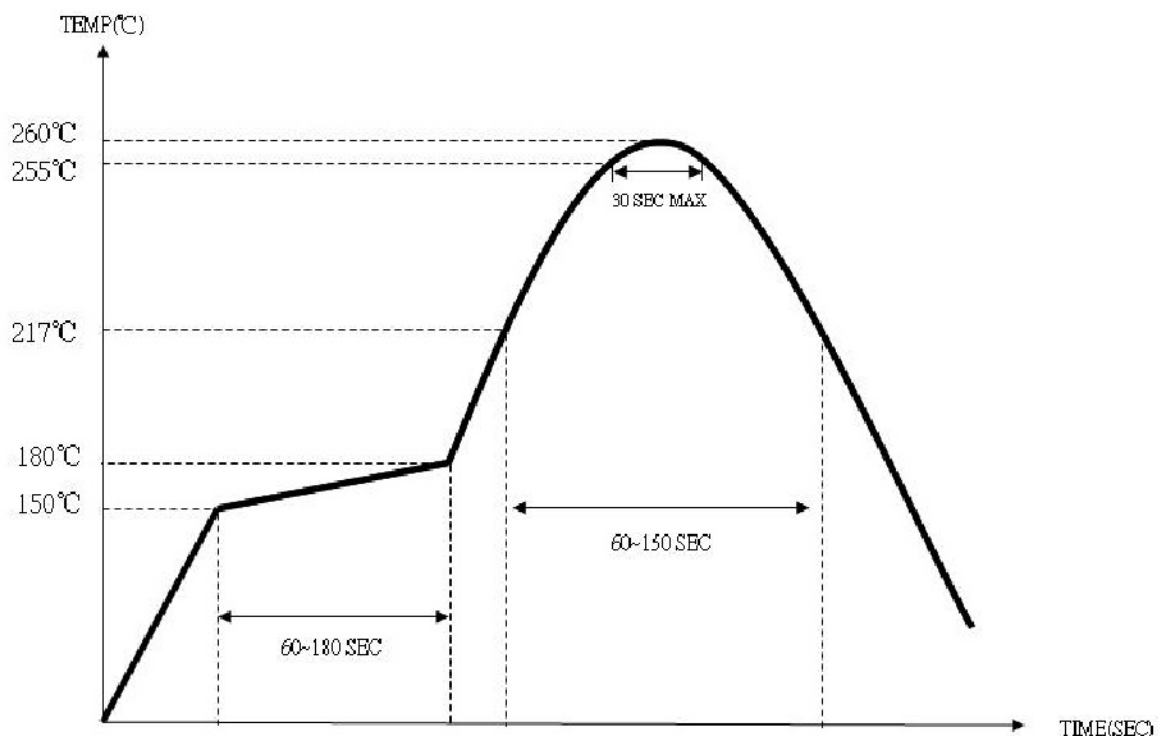


*** In the case, the cover tape is pulled off under the above conditions, the cover tape adhesion strength should be 10.2g~71.4g

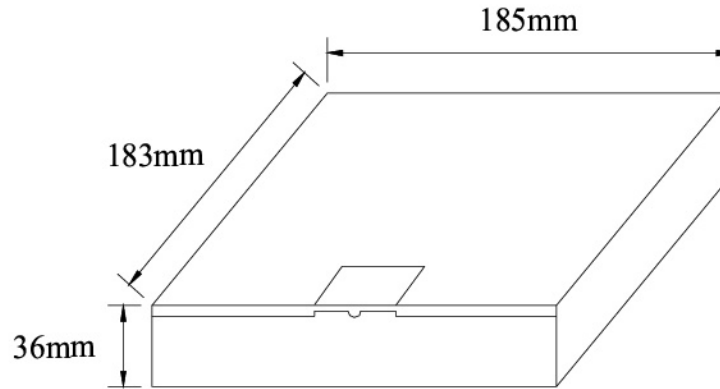
Plastic tape: 10.2g~71.4g

(Cover tape adhesion strength)

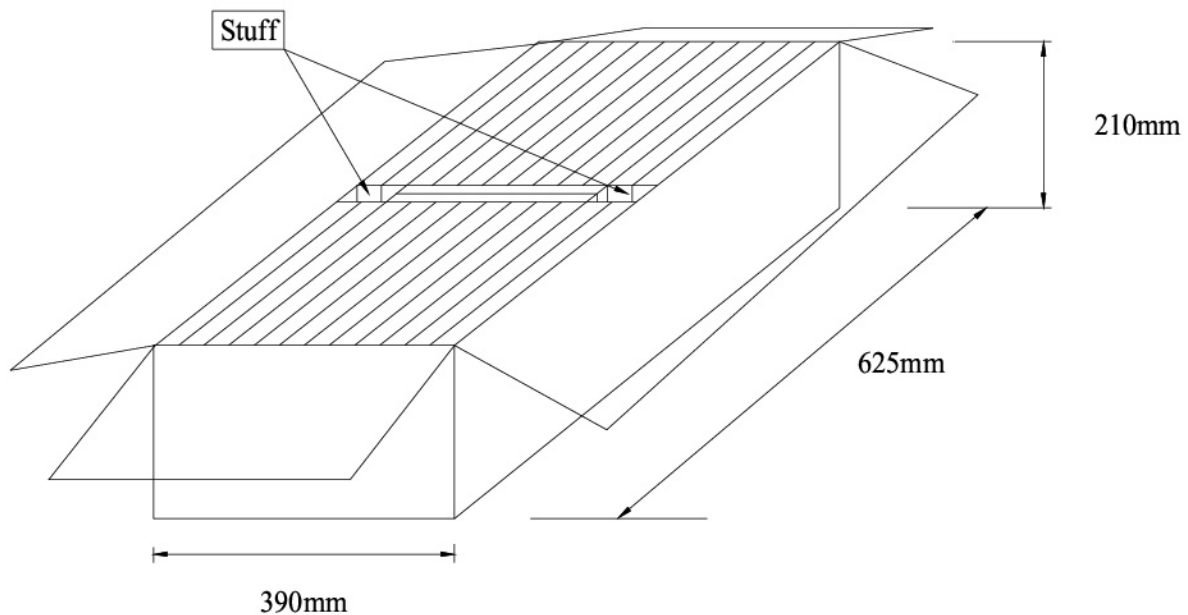
7. SOLDERING REFLOW PROFILE



8. PACKING :



BOX = 3000 PCS / REEL(MAX)



SMD product packs 32 BOX=The outside box packs (3000 PCS *32 BOX = 96000 PCS)(MAX)



| | |
|---|----------------|
| Aker Approved P/N : CXAF-026000-3-AL-14 | |
| APPROVED : Xtal | SHEET : 8 of 8 |
| PREPARED : Kiku | REV . : 1 |
| Confidential | |

9 . MECHANICAL PERFORMANCE

| TEST ITEMS | TEST METHODS AND TEST CONDITION | PERFORMANCE |
|---------------------------------------|--|---|
| 9.1 Temperature Cycling | -55±3°C/30min maximum~+125±3°C/30min maximum , 1000cycles | To satisfy the electrical performance . |
| 9.2 Operational Life | 125°C±3°C , 1000hrs±12hrs | |
| 9.3 Biased Humidity | 85°C±5°C&85%±5%R.H. , 1000±12hrs | |
| 9.4 Resistance To Soldering Heat Test | Reflow test 2 times. | |
| 9.5 High Temperature Exposure | 150°C±3°C , 1000hrs±12hrs | |
| 9.6 Vibration Test | Freq.range: 10~2000Hz , Peak to peak amplitude:1.52mm Peak acceleration:5G (49m/s ²) , 3 direction(X, Y,Z) , 20min 12cycles each of 3 orientations. | |
| 9.7 Mechanical Shock | 100G , 6mS , 3 times for each direction(X, Y, Z) , 3 cycles | |
| 9.8 Physical Dimension | Verify physical dimensions to the applicable device detail specification. | |
| 9.9 Solderability | 260°C , Coated > 95% | |
| 9.10 Board Flex | PCB=100*40(mm) , Bending=2 mm (min) , Duration=60+5/-0 sec | |
| 9.11 External Visual | Inspect device construction and marking. | |
| 9.12 Terminal Strength | A force of 17.7N for 60 seconds. | |