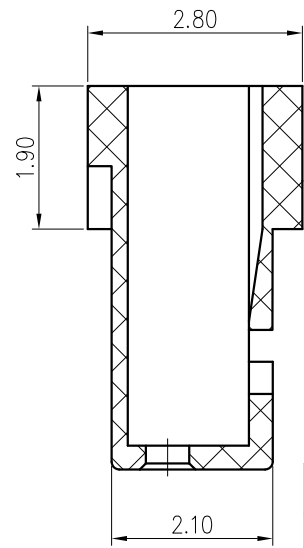
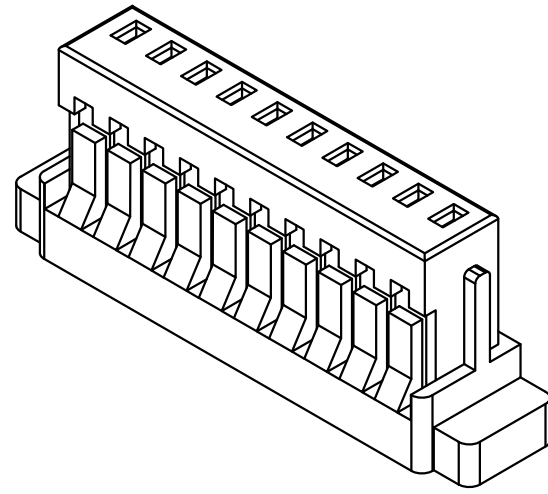
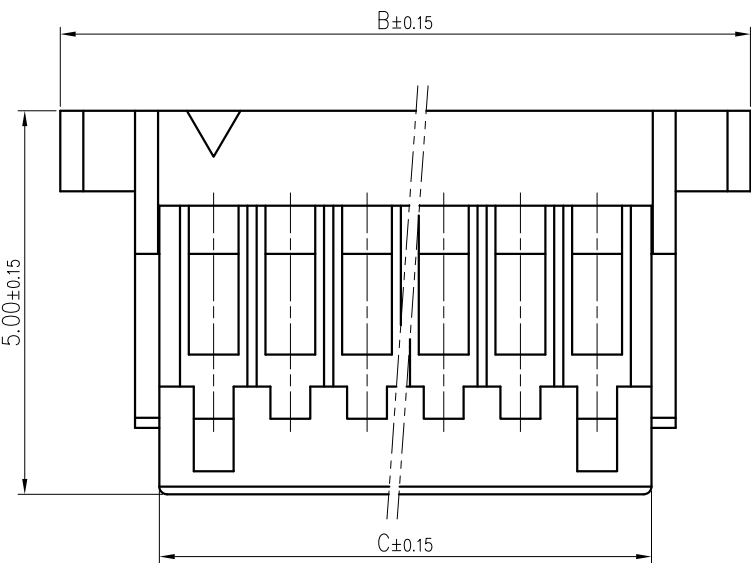
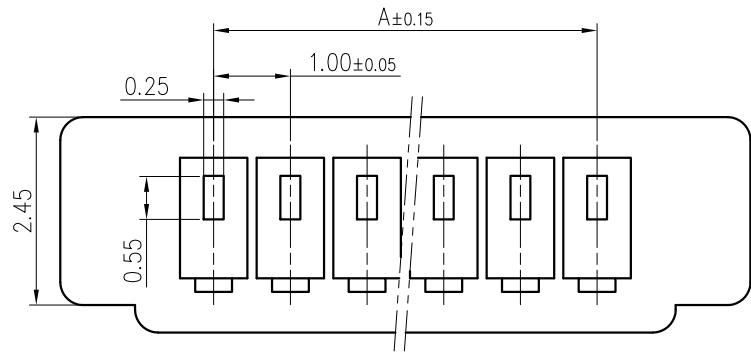


标记 MARK.	更改内容 MODIFICATION	日期 DATE	修改 DRAW	核准 APPROVE



技术要求Specification:

- 1、材质Material: PA66 UL94V-0;
- 2、塑件表面平整光洁, 无明显的毛刺、气泡、变形、浇口拉伤、缺料等不良现象。

Plastic surface smooth and clean, no obvious burrs, bubbles, distortion, gate strain, lack of material and other undesirable phenomena.

线数	型号	尺寸		
		A	B	C
2	SH10000-2Y	1.00	5.00	2.40
3	SH10000-3Y	2.00	6.00	3.40
4	SH10000-4Y	3.00	7.00	4.40
5	SH10000-5Y	4.00	8.00	5.40
6	SH10000-6Y	5.00	9.00	6.40
7	SH10000-7Y	6.00	10.00	7.40
8	SH10000-8Y	7.00	11.00	8.40
9	SH10000-9Y	8.00	12.00	9.40
10	SH10000-10Y	9.00	13.00	10.40
11	SH10000-11Y	10.00	14.00	11.40
12	SH10000-12Y	11.00	15.00	12.40
13	SH10000-13Y	12.00	16.00	13.40
14	SH10000-14Y	13.00	17.00	14.40
15	SH10000-15Y	14.00	18.00	15.40
16	SH10000-16Y	15.00	19.00	16.40
17	SH10000-17Y	16.00	20.00	17.40
18	SH10000-18Y	17.00	21.00	18.40
19	SH10000-19Y	18.00	22.00	19.40
20	SH10000-20Y	19.00	23.00	20.40

TOLERANCE UNLESS OTHERWISE SPECIFIED		*: Inspection Item			
.X±0.30	X.° ±1°	(NO.)	:Cp/Cpk and SPC Control Item		
.XX±0.20	.X° ±			材料	PA66
.XXX±0.10	.XX° ±	料厚		单位	m m
制图		料宽		比例	1:1
审核		日期		版本	A
批准		角法		规格书	
APPROVE		DATE			