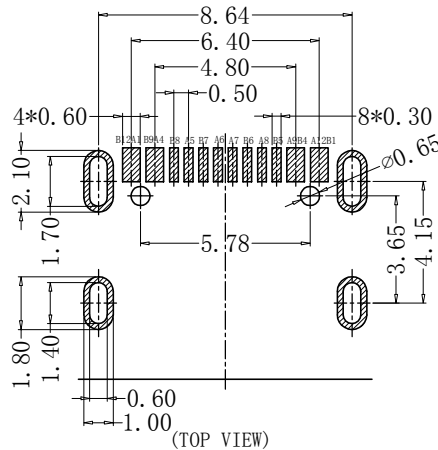
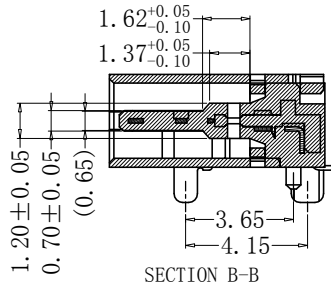
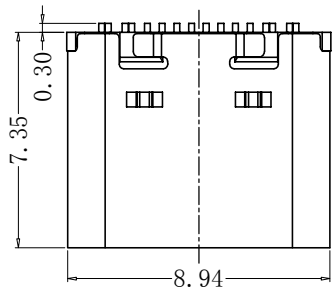


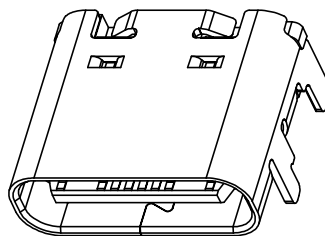
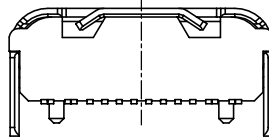
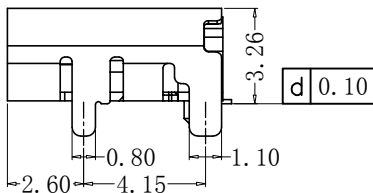
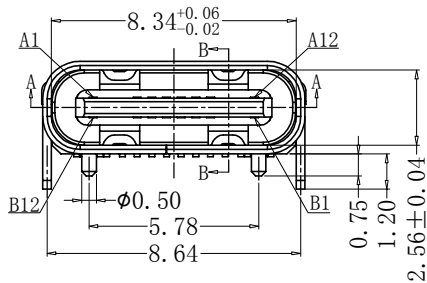
RoHs

VER	MARK	PR. BY	ECR/ECN	DESCRIPTION	DATE
A				NEW RELEASE	
B				新增料号 $\triangle$ *1	
C				新增规格 $\triangle$ *2	

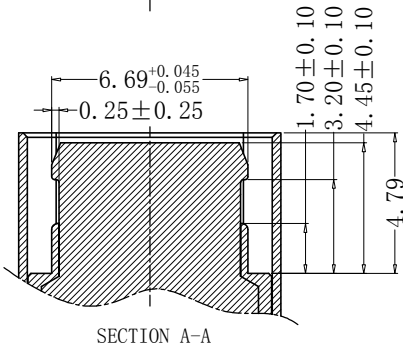
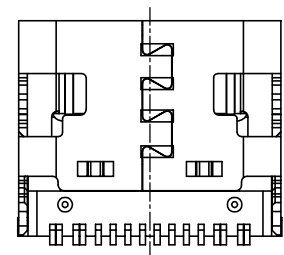


(TOP VIEW)  
RECOMMENDED P.C.B. LAYOUT (T:1.0~1.2mm)  
TOLERANCE UNSPECIFIED ±0.05mm

PIN	SIGNAL	PIN	SIGNAL
A12	GND	B1	GND
A11		B2	
A10		B3	
A9	VBUS	B4	VBUS
A8	SBU1	B5	CC2
A7	D-	B6	D+
A6	D+	B7	D-
A5	CC1	B8	SBU2
A4	VBUS	B9	VBUS
A3		B10	
A2		B11	
A1	GND	B12	GND



3D View



NO.	COLOR	镀金1u"	镀金3u"
1.	BLACK	1016-FGB385	1016-FGB386
2.	ORANGE	1016-FGC031	
3.	JASPER	1016-FGG033	
4.	BLACK	1016-FGB452	

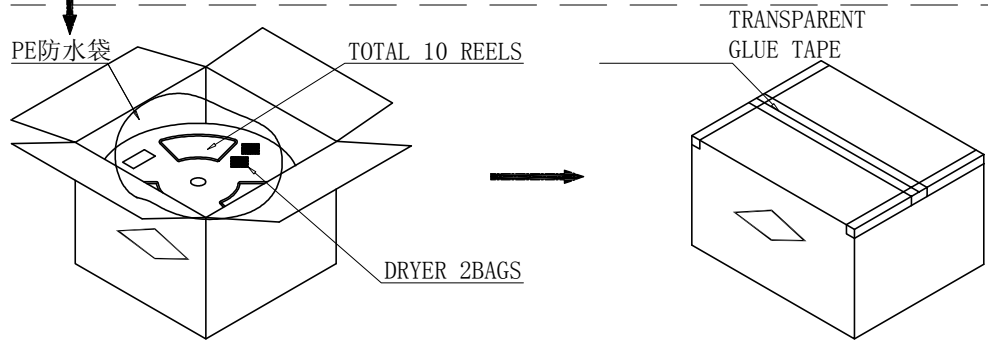
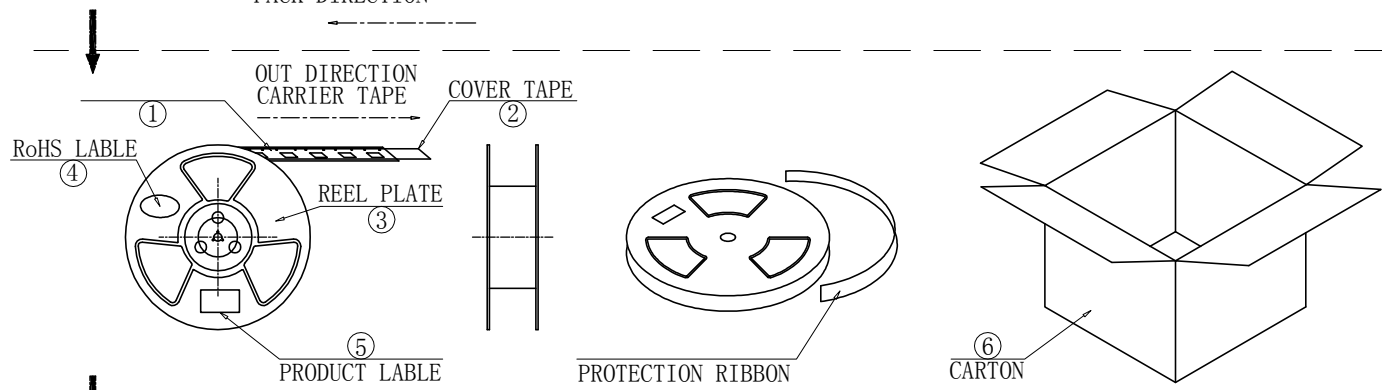
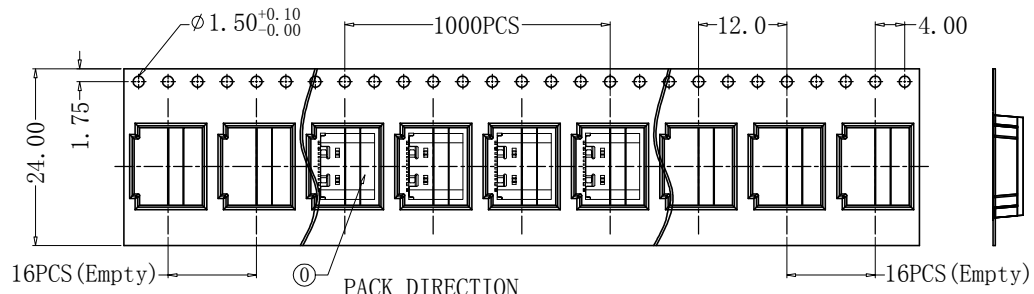
SPECIFICATION:

- Material:  
HOUSING&MOLDING:LCP,UL94 V-0  
CONTACTS:COPPER ALLOY T=0.20mm  
MIDDLE CLIP:SUS301-1/2H,T=0.15mm  
SHELL:SUS, T=0.30mm
- Mechanical:  
2.1.Mating force:5~20Nf Max.;  
2.2.Unmating force:6~20Nf Min.;  
2.3.Durability:10000 Cycles;
- Electrical:  
3.1.Current Rating:3A Max.;  
3.2.Voltage Rating:20V Max.;  
3.3.Dielectric Withstanding voltage:100VAc;  
3.4.Contact resistance:40m Ohms Max.;  
3.5.Insulation Resistance:100M Ohms Min.;
- Environmental:  
4.1.Operating temperature:-40°C~+85°C;  
4.2.Wetting Temperature:265±5°C,5±0.5s

CUSTOMER		GENERAL TOLERANCES UNLESS SPECIFIED		APPROVED BY:	TITLE: Type-C 母座 卧贴
SIZE A4	UNITS MM[INCH]	X±0.50 .X±0.35	X'±5.0' .X'±3.0'	CHECKED BY:	PART NO.: BX-TYPE-C-MWT16P-4
SCALE 1:1	REV. C	.XX±0.25 .XXX±0.15	.XX'±2.5' .XXX'±2.0'	DESIGN BY:	DWG NO.:
				SHEET 1/2	Bossie (博锡)

RoHs

VER	MARK	PR. BY	ECR/ECN DESCRIPTION	DATE
A			NEW RELEASE	
B	△B		整理&合并图面	
C	△C		新增料号 △C *2	
E	△E		新增规格 △E *1	



说明:

1. 每卷前后各空16PCS, 尾部用美纹胶纸封住;
2. 将产品放满盘后, 再卷一圈保护带, 用美纹胶纸将其封住, 并贴上1Pcs物料标签;
3. 每10卷盘一叠共10000Pcs并装入1个外箱内;
4. 在搬运过程中要轻拿轻放;
5. 在运输中不可堆放过多(1.8M最高), 不可重压;
6. 跌落测试条件:  
成品箱从1.2米高度自由落体(一角三棱六面):  
a. 产品不可跑出下带凹槽;  
b. 产品不可有摔伤, 变形;  
c. 内包装材料不可严重破损.

NO.	NAME	SPEC	Q' TY
①	TYPE C RECEPTACLE		10000PCS/CARTON
①	CARRIER TAPE	W=24mm, T=0.35mm	1000PCS/PLATE
②	COVER TAPE	W=21.5mm	10PLATES/CARTON
③	REEL PLATE	∅330*100*24.4mm	10PCS/CARTON
④	RoHS LABEL		10PCS/CARTON
⑤	PRODUCT LABER		10PCS/CARTON
⑥	CARTON	350*340*310mm	1PCS/PACKAGE

PACKAGING		GENERAL TOLERANCES UNLESS SPECIFIED		APPROVED BY:	TITLE: Type-C 母座 贴片
SIZE	UNITS	X±1.0	X*±5.0*	CHECKED BY:	PART NO.: BX-TYPE-C-MWT16P-4
A4	MM[INCH]	.X±0.50	.X*±3.5*		
SCALE	REV.	.XX±0.30	.XX*±2.5*	DESIGN BY:	DWG NO.:
1:1	E	.XXX±0.15	.XXX*±1.5*		

