

REV.	ECR NO.	DESCRIPTION
B		修改日期后重新发图纸

### Specification

#### MATERIAL:

Insulator: High Temperature Thermoplastic, UL 94V-0.  
Contact: Copper Alloy

#### Electrical:

Current Rating :0.5mA AC/DC max.  
Voltage Rating :12V AC/DC  
Ambient Temperature Range :-20°C~+60°C  
Storage Temperature Range :-40°C~+70°C  
Ambient Humidity Range :95% R.H. Max.  
Contact Resistance:100mΩ max.  
Insulation Resistance:1000MΩmin./500VDC  
Mating Cycles:5,000 Insertions

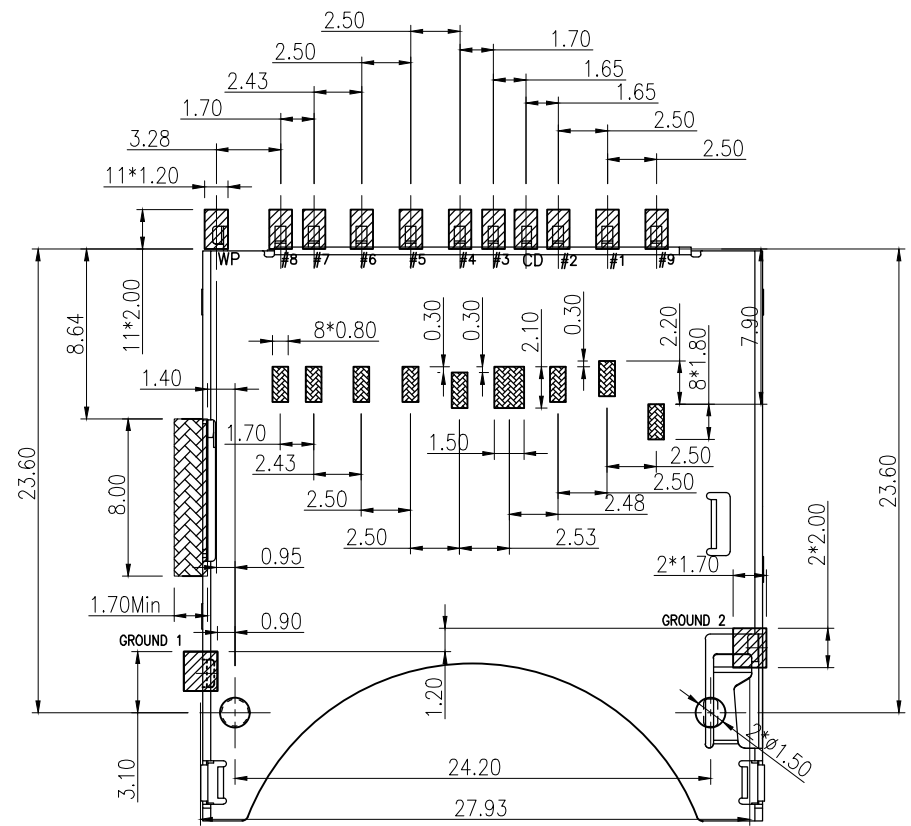
Usable Memory Card: SD&MMC Card



UNLESS OTHERWISE SPECIFIABLE GENERAL TOLERANCE X.X: ± 0.35 X.XX: ± 0.25 X.XXX: ± 0.15 ANGULAR: ± 1°	TITLE NAME: 标准SD卡卡座锁卡式	DRAW:	DATE:
	PART NO.: BX-SD-2.8HJ	CHED:	DATE:
	DRAWG NO.:	APPD:	DATE:
	A4		UNIT: MM TYPE: Y SCALE: 1:1



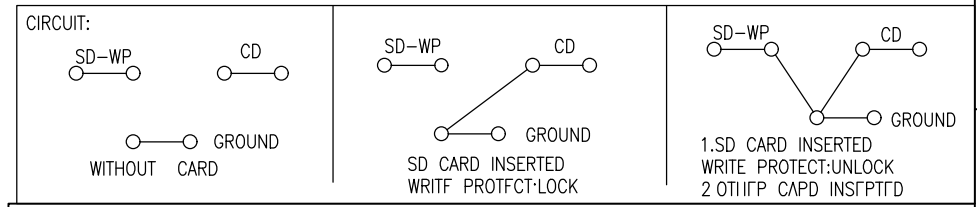
Recommend PCB Layout Drawing:  
 (Unit:mm .X ± 0.15 .XX ±0.05 .XXX ± 0.02)



Welding area  
 prohibited layout area

REV.	ECR NO.	DESCRIPTION
B		修改引脚后从新更改图纸

PIN NO.	PIN NAME .
#1	(CD/DAT3)
#2	(CMD)
#3	(VSS1)
#4	(VDD)
#5	(CLK)
#6	(VSS2)
#7	(DAT0)
#8	(DAT1)
#9	(DAT2)

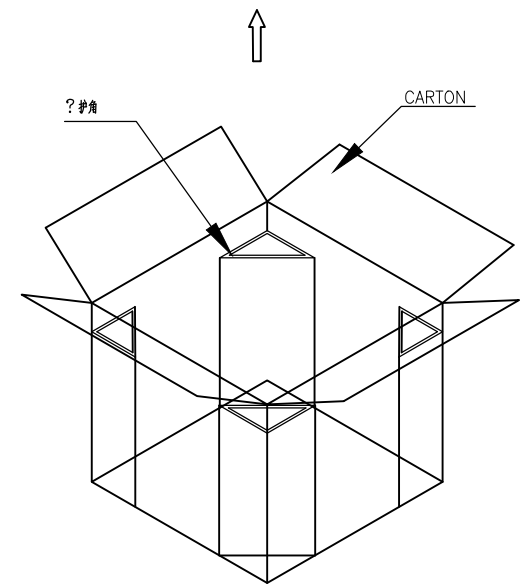
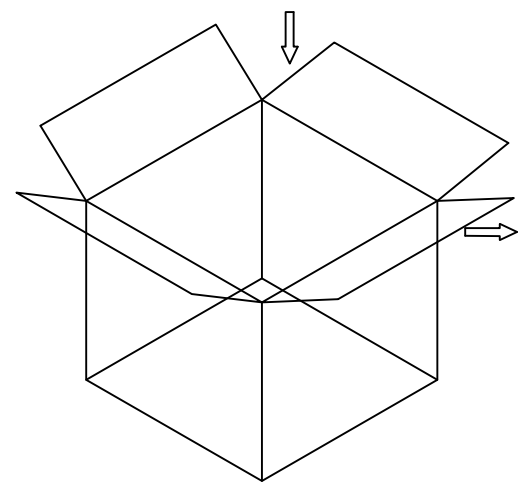
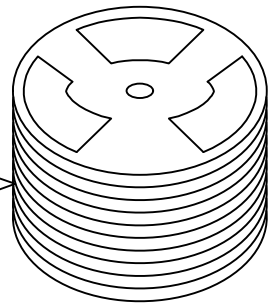
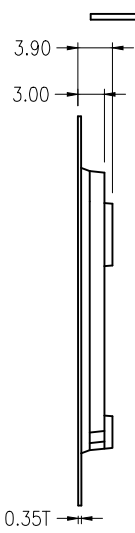
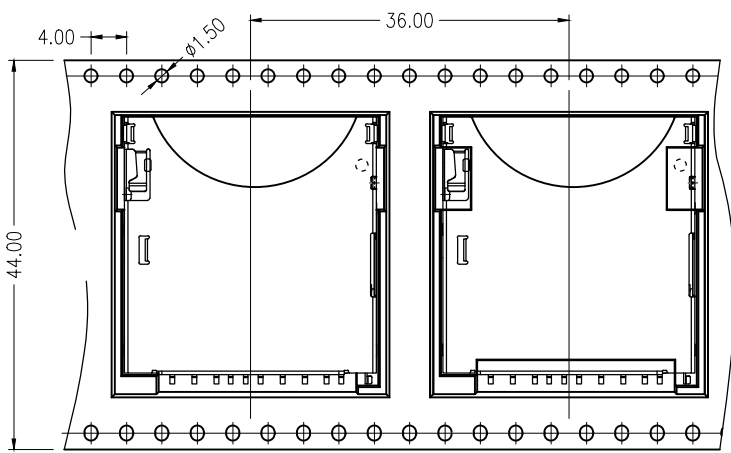
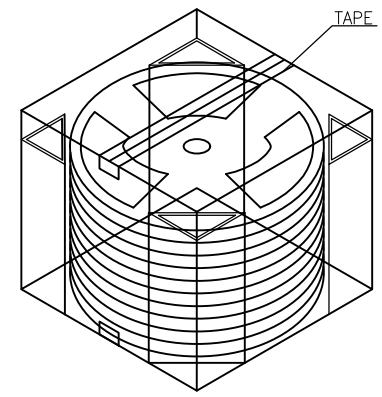
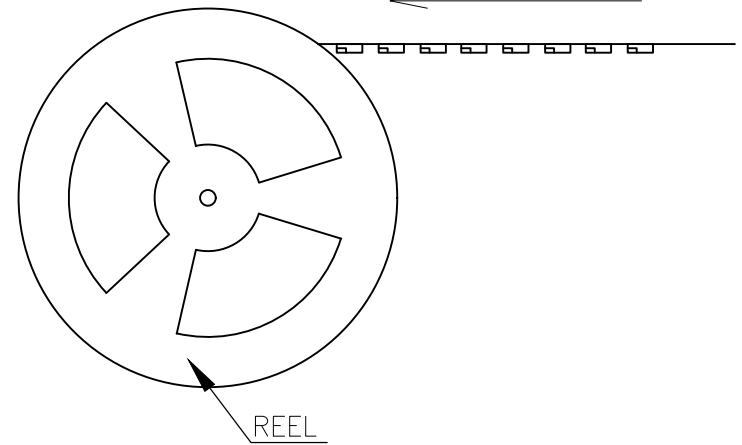


UNLESS OTHERWISE SPECIFIABLE GENERAL TOLERANCE X.X: ± 0.35 X.XX: ± 0.25 X.XXX: ± 0.15 ANGULAR: ± 1°	TITLE NAME: 标准SD卡卡座锁卡式	DRAW:	DATE:
	PART NO.: BX-SD-2.8HJ	CHED:	DATE:
	DRAWG NO.:	APPD:	DATE:
	A4	UNIT: MM	TYPE: Y
		REV: B	PAGE: 2/3

RoHS

方向

5	6	7
REV.	ECR NO.	DESCRIPTION



PACKING INFORMATION

PART NAME	
QUANTITY OF PER TRAY	400PCS/REEL
QUANTITY OF PER CARTON	6*400=2400PCS/CARTON
WEIGHT OF PER TRAY	
WEIGHT OF PER CARTON (NET WEIGHT)	
GROSS WEIGHT	
SIZE	350*350*345

UNLESS OTHERWISE SPECIFIABLE GENERAL TOLERANCE X.X: ± 0.35 X.XX: ± 0.25 X.XXX: ± 0.15 ANGULAR: ± 1°	TITLE NAME: 标准SD卡卡座 锁卡式	DRAW:	DATE:
	PART NO.: BX-SD-2.8HJ	CHED:	DATE:
	DRAWG NO.:	APPD:	DATE:
	A4	UNIT: MM	TYPE: Y
		REV: B	PAGE: 3/3