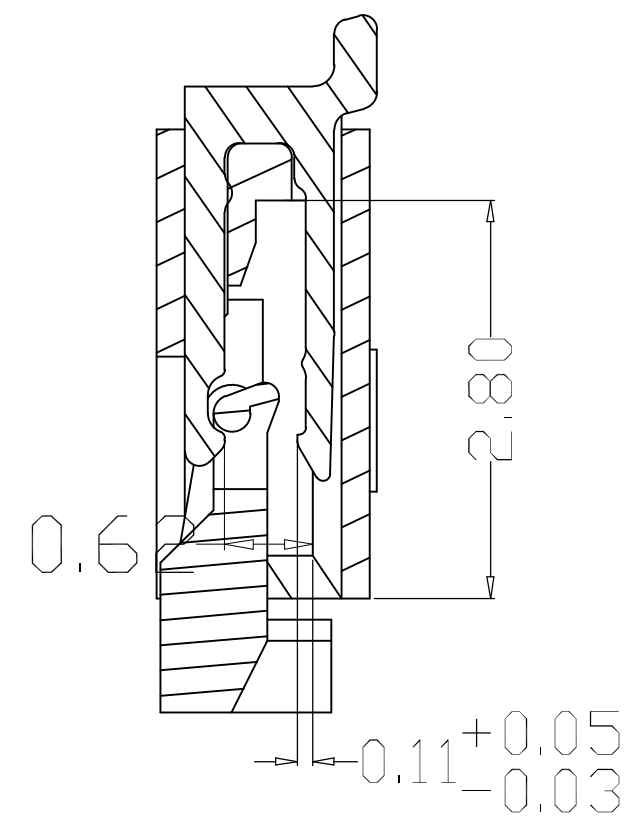
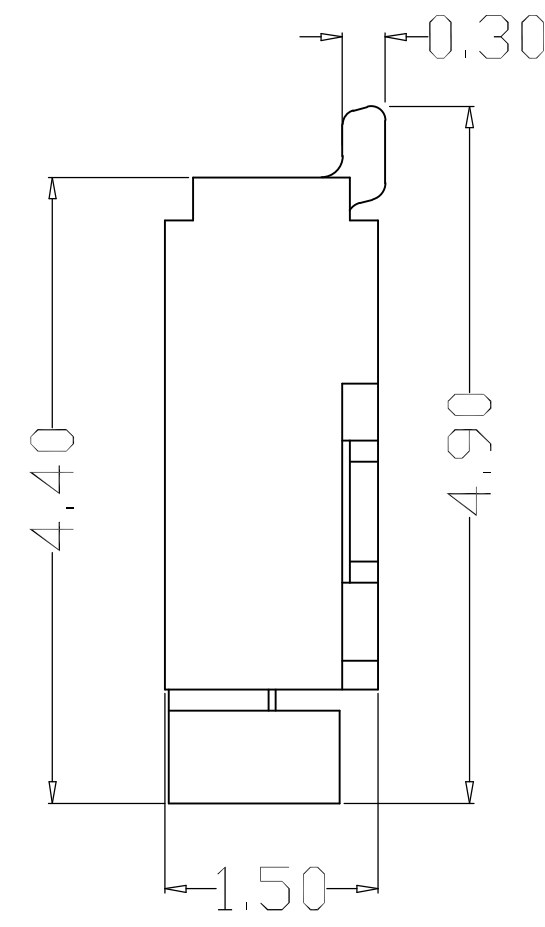
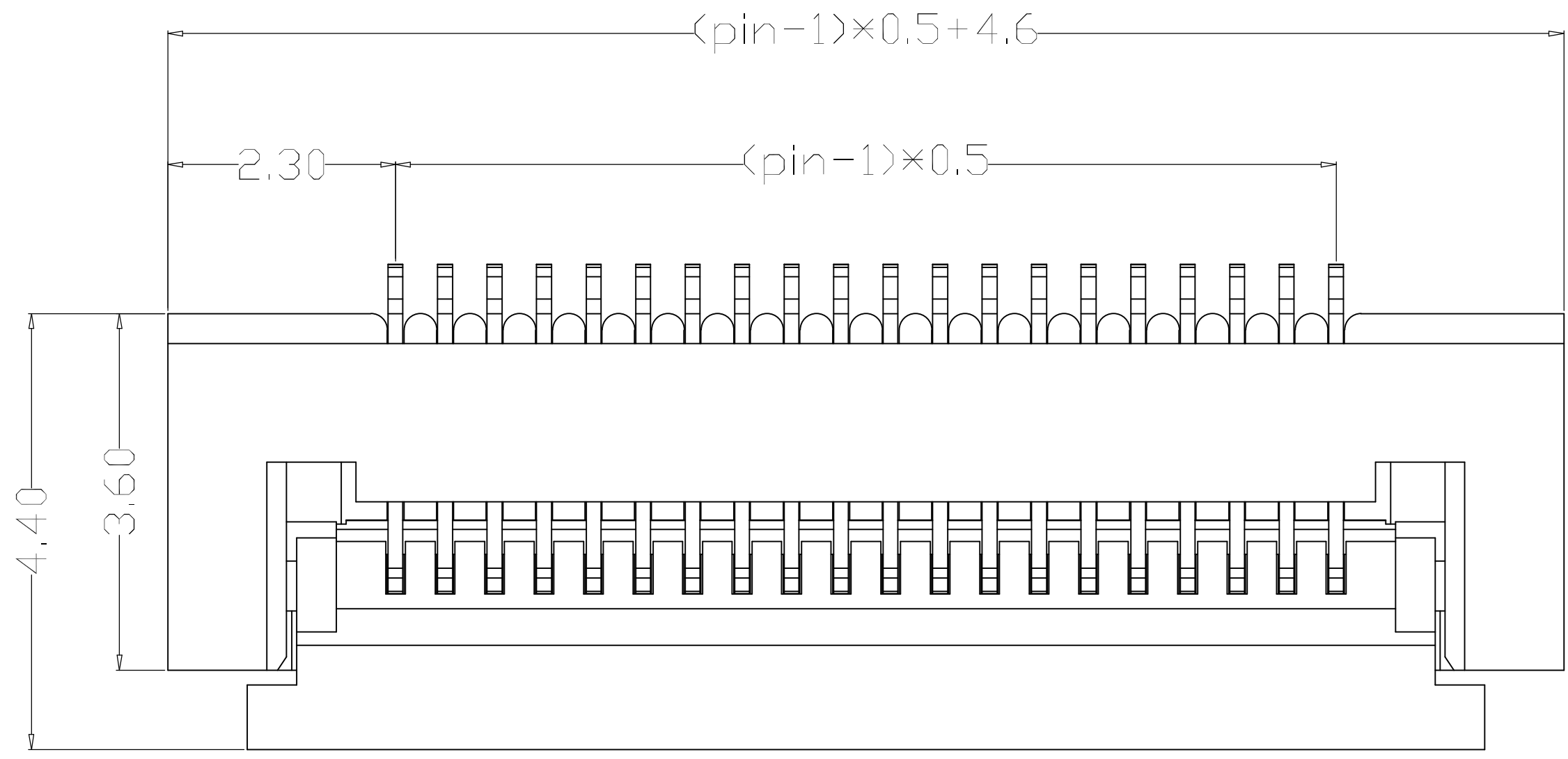
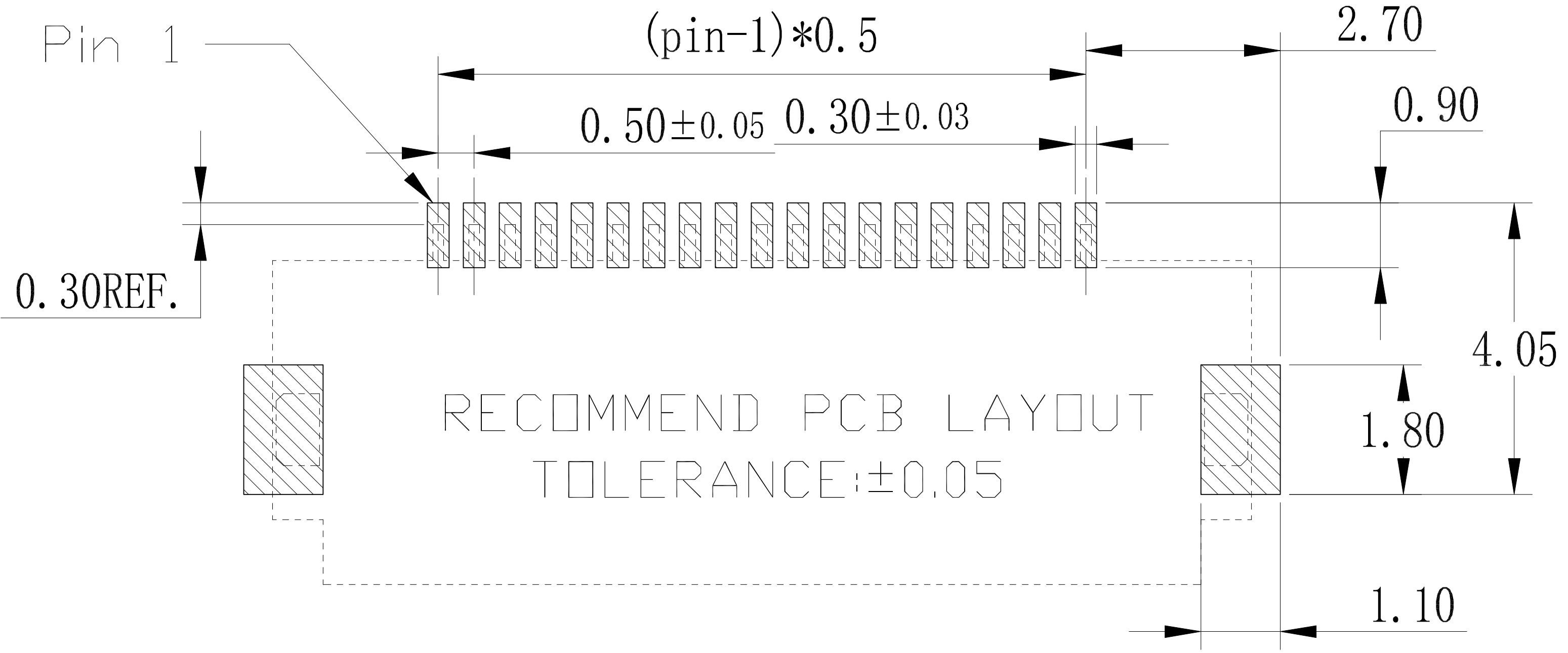
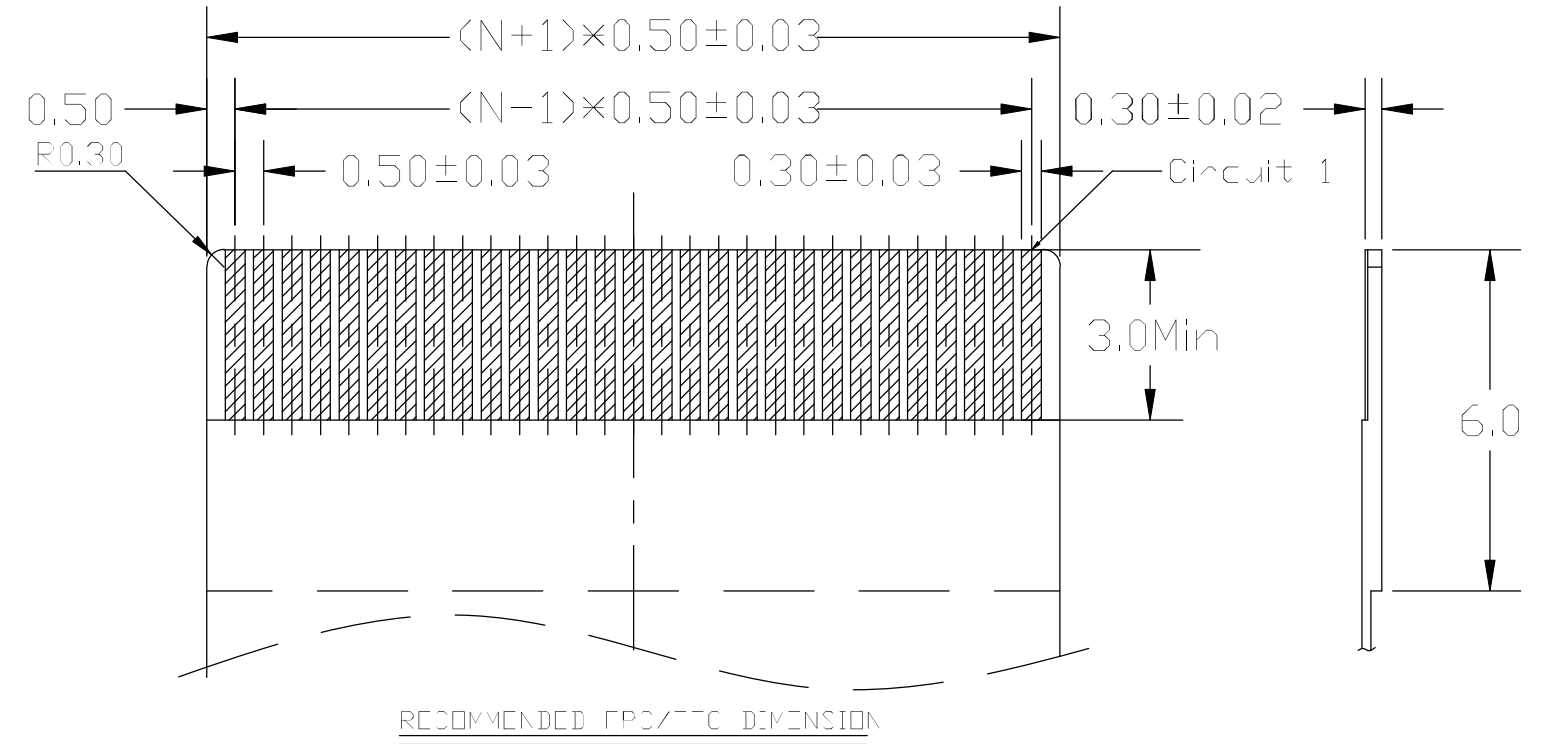
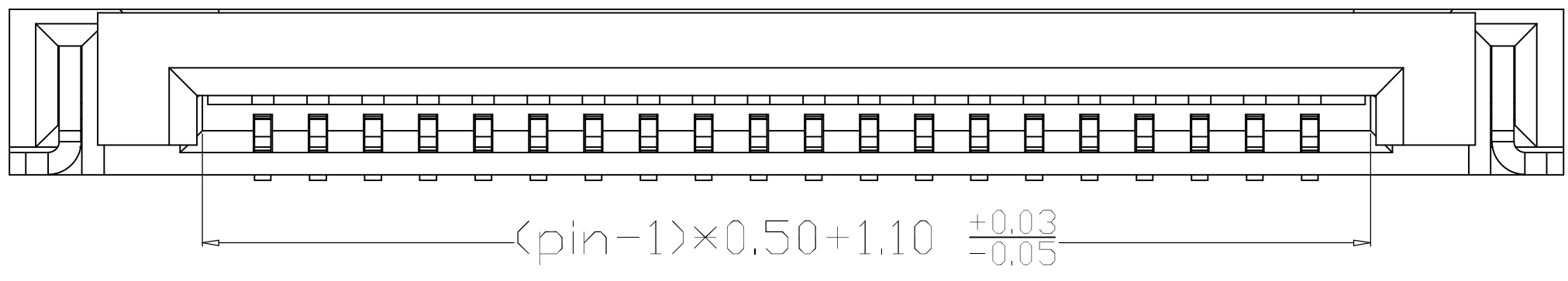


REV.	DESCRIPTION	APPD.	DATE



NOTES:

- MATERIAL:
HOUSING: HIGH TEMPERATURE THERMOPLASTIC
UL94V_0, COLOR:BLACK.
CONTACT: COPPER ALLOYS.
- PLATING:
UNDERPLATE: NICKEL.
CONTACT AREA: TIN OVER NICKEL.
- MULTIMEDIA CARD COMPATIBLE



PART NO:	MATERIAL:	Bossie (博锡)	
LOT NO:	FINISH:		
UNIT: MM	SIZE: A4	COLOR:	TITLE: 0.5 20Pin 翻盖 卧贴 下接 H1.5
TOLERANCES: X.X±0.35 X.XX±0.25 X.XXX±0.15	GENERAL ANGLE: X.X=±3.0° X.XX=±2.0°	DR:	DWG NO: BX-FPC05-1.5H20PX
		CHK: Zhou qi	REV: C/0
		APP:	SCALE: 1:1 SHEET: 1 OF 1