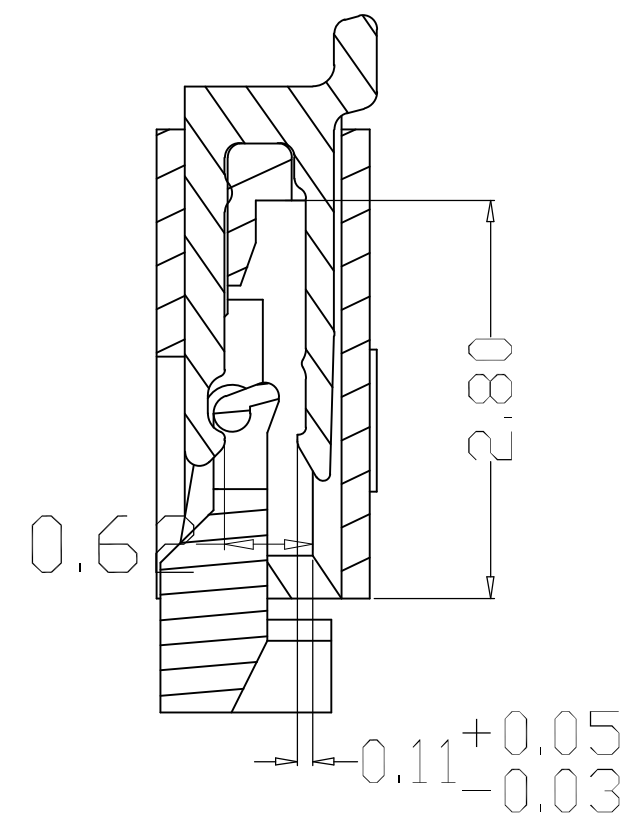
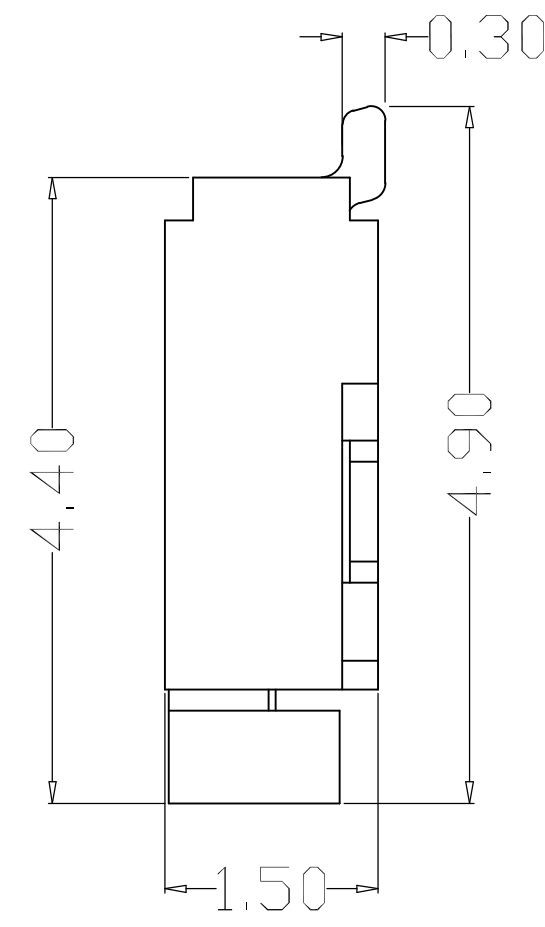
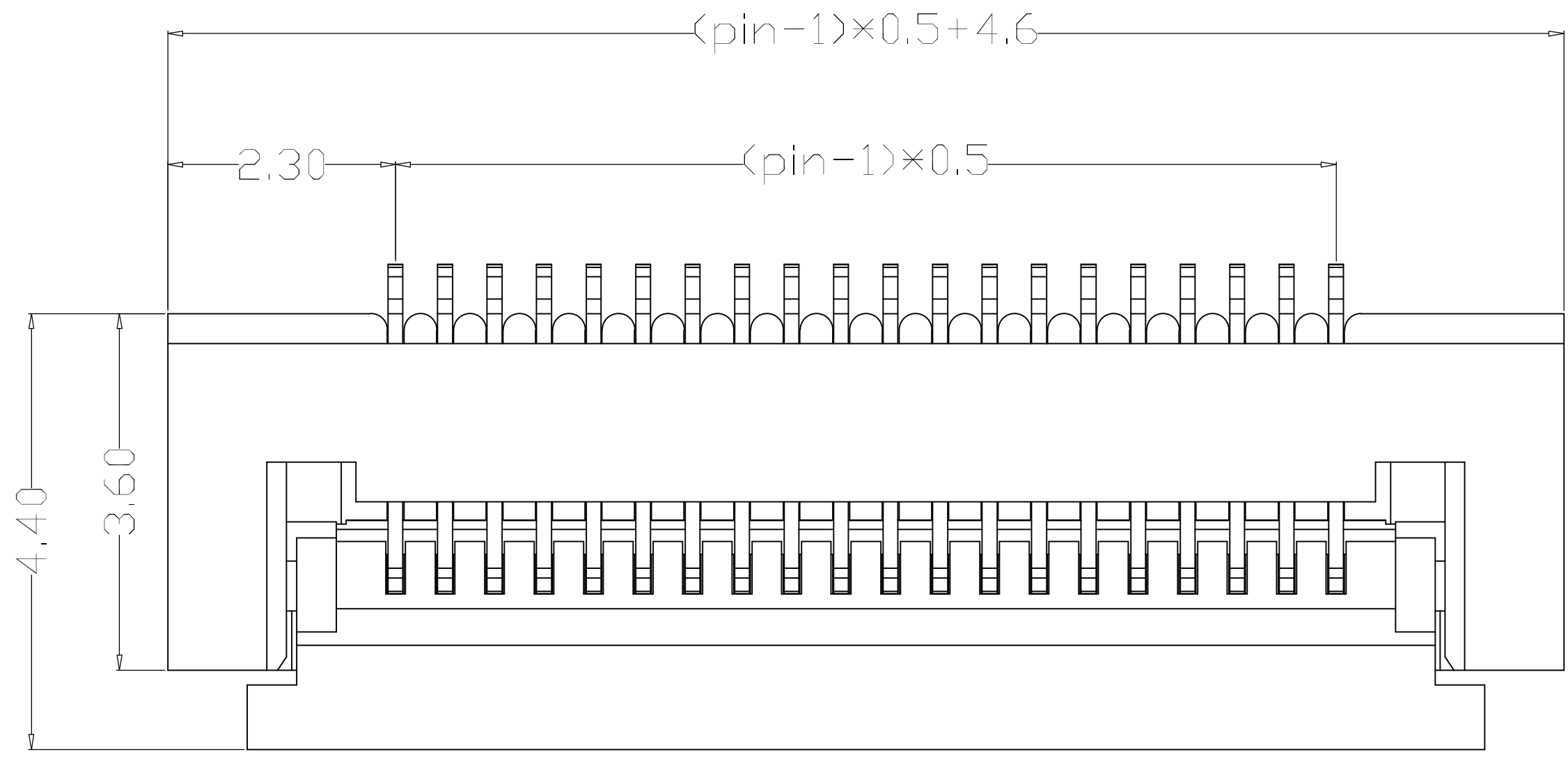
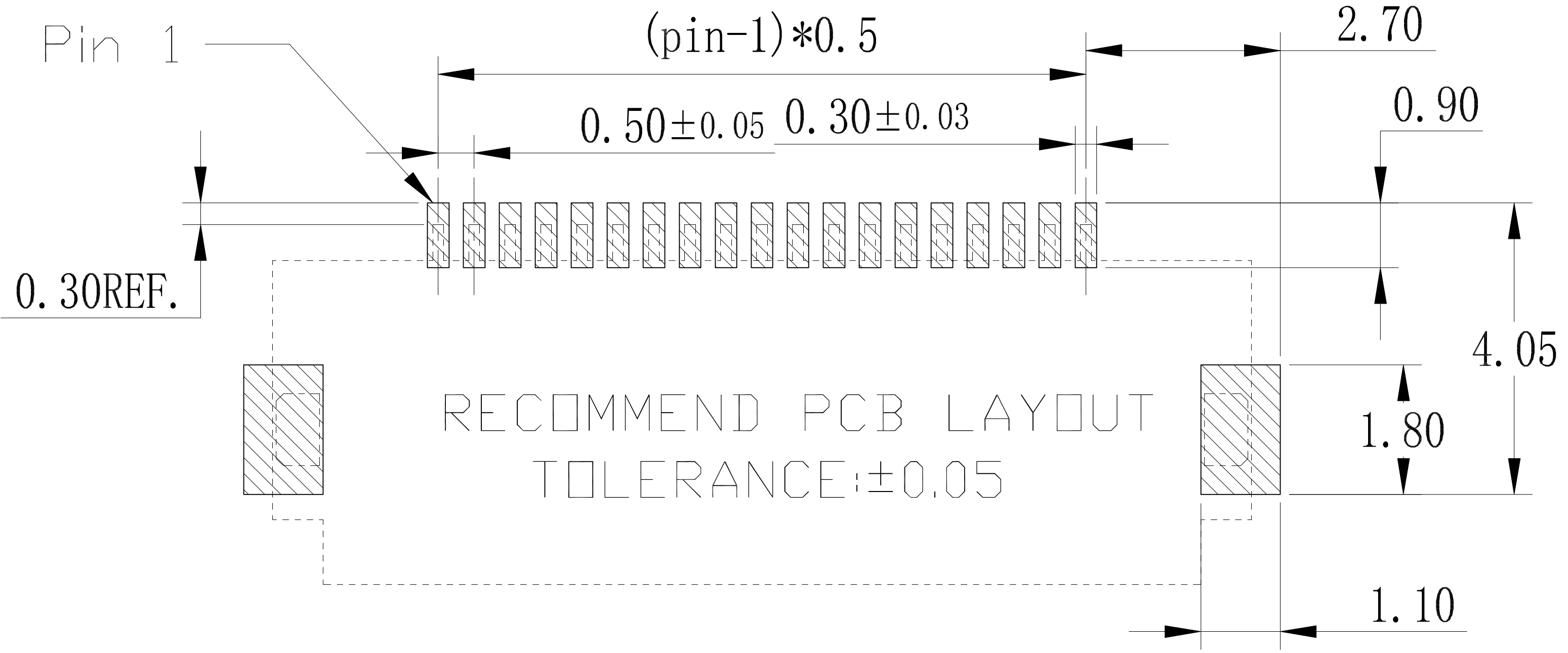
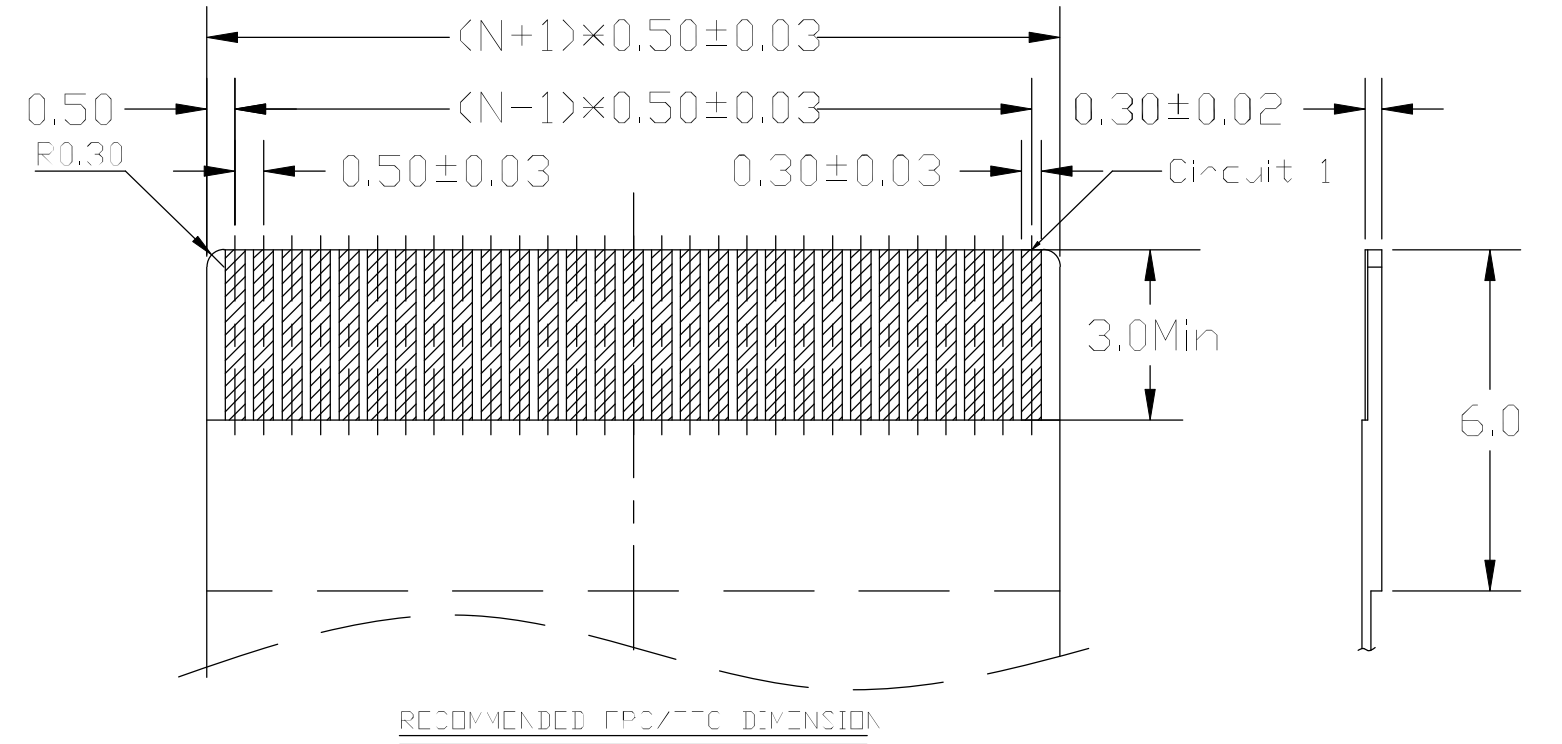
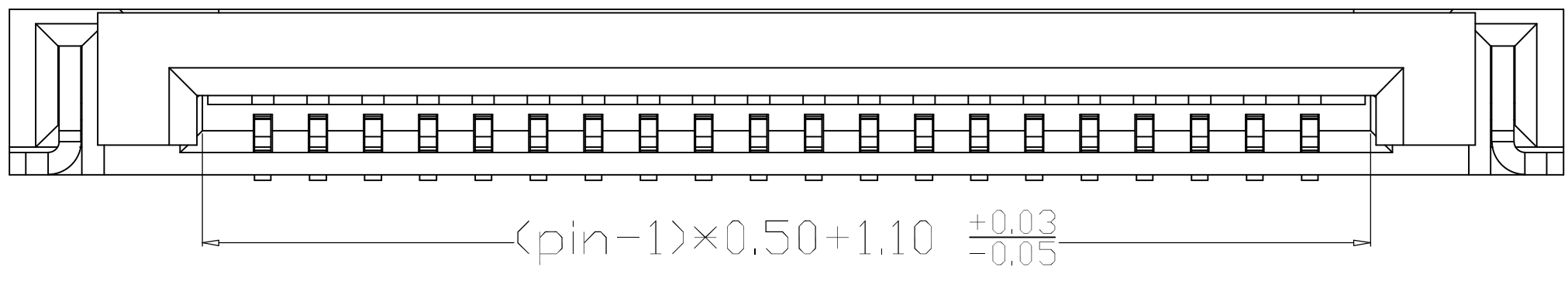


REV.	DESCRIPTION	APPD.	DATE



NOTES:

- MATERIAL:  
HOUSING: HIGH TEMPERATURE THERMOPLASTIC  
UL94V\_0, COLOR:BLACK.  
CONTACT: COPPER ALLOYS.
- PLATING:  
UNDERPLATE: NICKEL.  
CONTACT AREA: TIN OVER NICKEL.
- MULTIMEDIA CARD COMPATIBLE



PART NO:		MATERIAL:			
LOT NO:		FINISH:			
UNIT: MM	SIZE: A4	COLOR:		TITLE: 5mm P数: 14 翻盖式 下接	
TOLERANCES: X. X=±0.35 X. XX=±0.25 X. XXX=±0.15		GENERAL ANGLE: X. X=±3.0° X. XX=±2.0°		DR:	DWG NO: BX-FPC05-1.5H14PX
				CHK: Zhou qi	REV: C/0
				APP:	SCALE: 1:1 SHEET: 1 OF 1