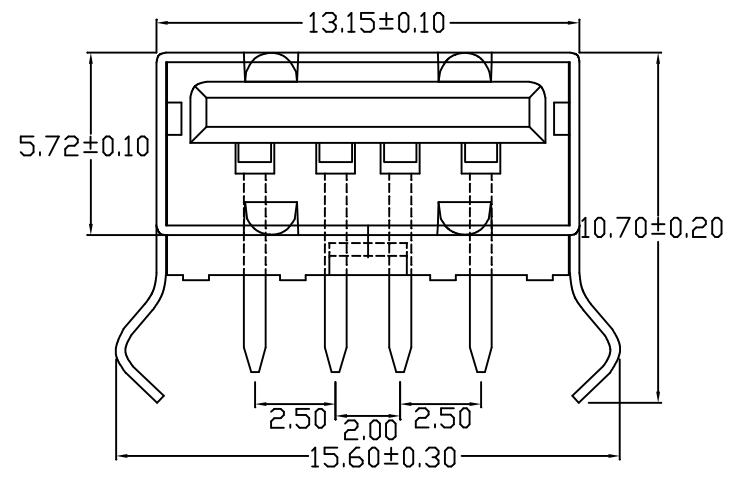
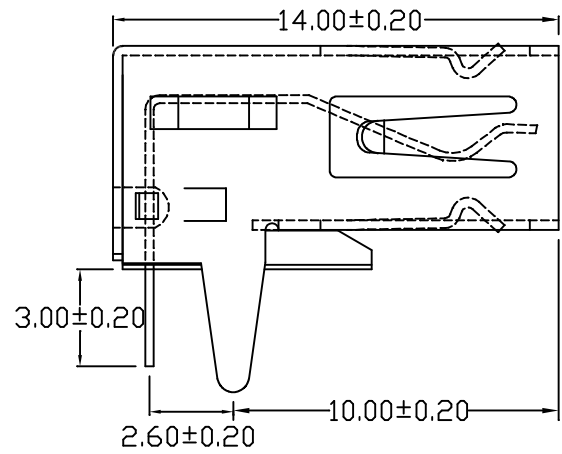
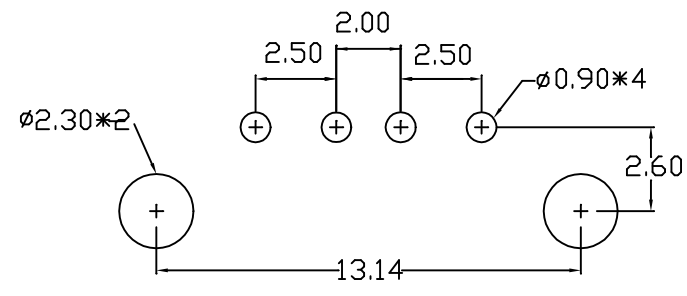
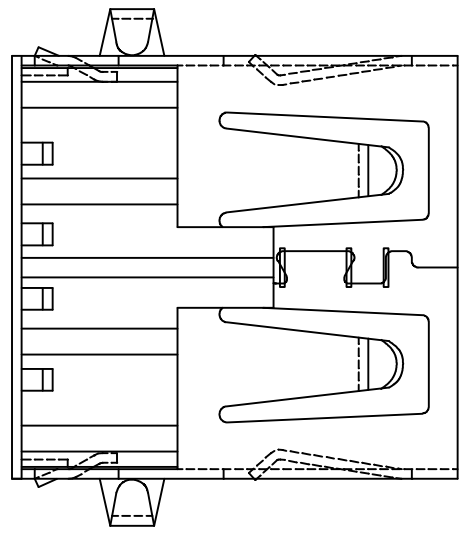


REV.	ECN.NO.	APPD.
A0	/	/



规格说明：Specifications：  
 电气特性：Electrical：  
 1. 额定电流：Current Rating  
 1.5A/contact terminal  
 2. 额定电压：Voltage Rating  
 30 DC  
 3. 接触阻抗：Contact Resistance  
 30 milliohms MAX  
 4. 耐电压：Dielectric Withstanding Voltage：  
 500 V AC AT Sea Level  
 5. 绝缘阻抗：Insulation Resistance：  
 1000MEGA ohms MIN  
 原材料：Material：  
 1. 塑胶；：Housing：  
 High Temperature Thermoplastics,  
 PBT/LCP BLACK/WHITE  
 2. 端子：Contact：Copper Alloy C2680  
 3. 外壳：Shell：SPCC/COPPER ALLOY C2680  
 电镀：Finish：  
 1. 端子：Contact：Plated Gold In Mating Area；  
 Tin On Solder Tails  
 2. 外壳：Shell：  
 Nickel Plating



TOLERANCE UNLESS OTHERWISE SPECIFIED							
.XXX ±0.10	.X' ±3'						
.XX ±0.20	.XX' ±2'						
.X ±0.30		APPROVED	PART NAME:	Type-A 母座 弯插			
CHECKED		PART No:	BX-TYPE-A-MWC4P			C	
DRAWN		PROJECTION:	UNIT:	SCALE:	SHEET:	REV.:	
DATE			mm	1:1	10F1	A0	