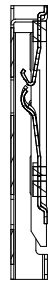
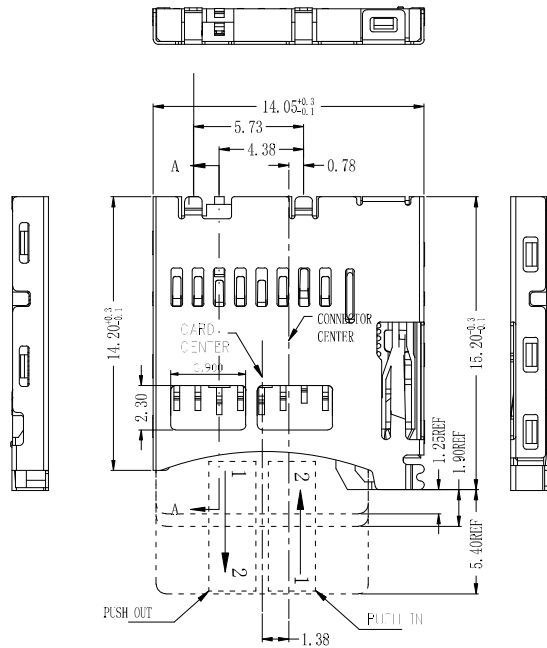
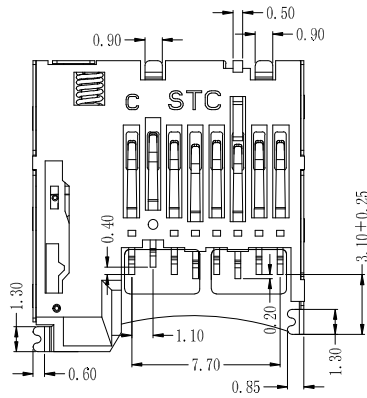


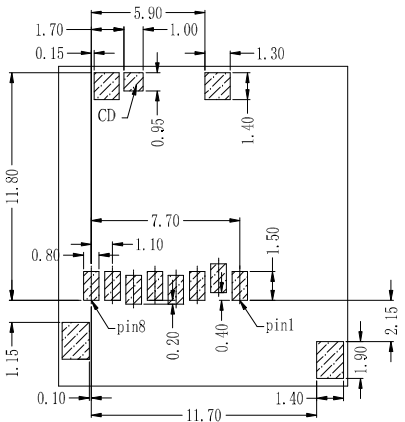
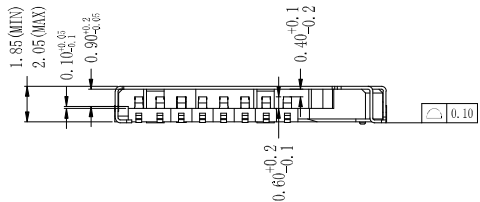
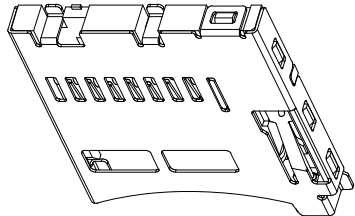
REV.	DESCRIPTION	APPD	DATE



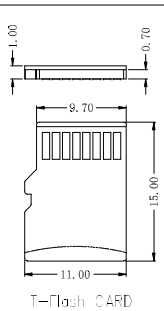
SECTION A-A



- NOTES:
- MATERIAL:  
HOUSING: HIGH TEMPERATURE THERMOPLASTIC  
UL94V\_0, COLOR: BLACK.  
CONTACT: COPPER ALLOYS.  
COVER: COPPER ALLOYS OR STEEL.
  - PLATING:  
UNDERPLATE: NICKEL.  
CONTACT AREA: GOLD OVER NICKEL.  
SOLDER AREA: TIN OVER NICKEL.
  - MULTIMEDIA CARD COMPATIBLE



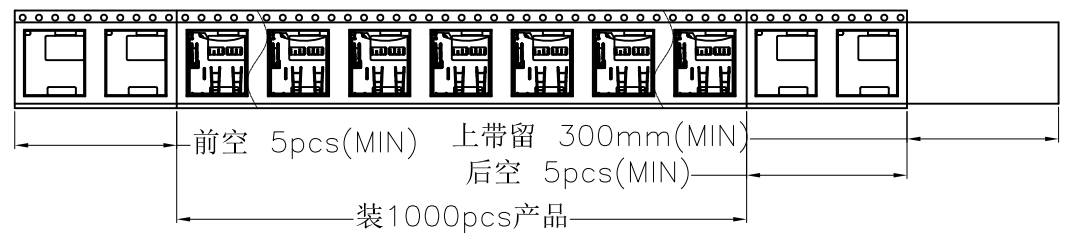
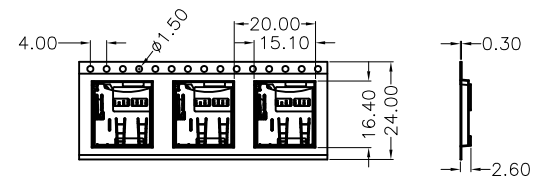
RECOMMENDED P.C.B HOLE LAYOUT  
COMPONENT SIDE VIEW (TOLERANCE: +/-0.05)



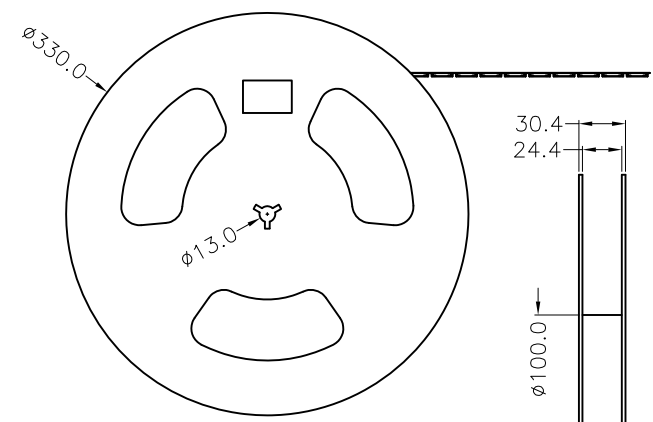
PIN NO.	NAME	TYPE	DESCRIPTION
1	DAT2	I/O/PP	DATE LINE(BIT2)
2	CD/DAT3	I/O/PP	CARD DETECT DATE LIN(BIT3)
3	CMD	PP	COMMAND RESPONSE
4	VDD	S	SUPPLY VOLTAGE
5	CLX	I	CLOCK
6	VSS	S	SUPPLY VOLTAGE GROUND
7	DAT0	I/O/PP	DATE LINE(BIT0)
8	DAT1	I/O/PP	DATE LINE(BIT1)

PART NO: BX-TF-1.85HJ		MATERIAL:		
MODEL NO:		FINISH:		
UNIT: MM	SIZE: A4	COLOR:		TITLE: Mi croSD卡(TF卡) 卡座 内焊
TOLERANCES: X.X=±0.35 X.XX=±0.25 X.XXX=±0.15		GENERAL ANGLE: X.X=±3.0° X.XX=±2.0°		DWG NO:
DR:		CHK:		REV: B/1
APP:		SCALE: 1:1		SHEET: 1 OF 2

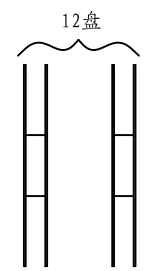
REV.	DESCRIPTION	APPD	DATE



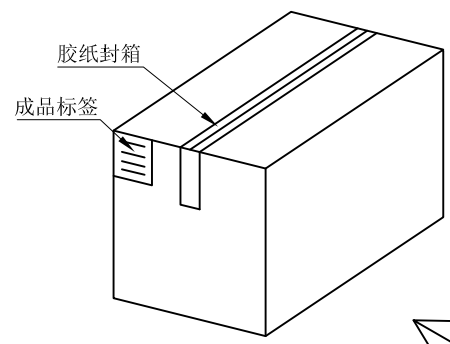
NO. 1



NO. 2

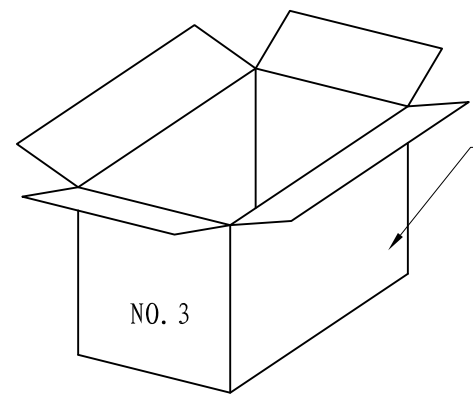


12盘



纸箱规格: 330\*330\*385

NO. 4



纸箱

NO. 3

1. 材质要求:
- 1.1 纸箱的材质为B=B; 外形尺寸为33\*33\*38.5CM;
  - 1.2 卷盘的材质为PVC, 卷盘的外形尺寸为 $\phi$ 330\*30.4;
  - 1.3 卷带的材质为PVC, 卷带的外形尺寸为20200\*24.00\*2.6mm
2. 包装要求:
- 2.1 将卷带放入包装机后, 前空5PCS, 后放产品1000PCS, 再后空5PCS; 上带留300MM长度。
  - 2.2 将包装好的产品从包装机上取下并包装好;
  - 2.3 把累叠好的12盘叠放入纸箱中共计12Kset;
  - 2.4 把包装好的成品打包封箱, 并在纸箱外贴上标签

PART NO: BX-TF-1.85HJ		MATERIAL:		<b>JB Bossie (博锡)</b>	
MODEL NO:		FINSH:			
UNIT: MM	SIZE: A4	COLOR:		TITLE: MicroSD卡(TF卡) 卡座 内焊	
TOLERANCES: X.X=±0.35 X.XX=±0.25 X.XXX=±0.15		GENERAL ANGLE: X.X=±3.0° X.XX=±2.0°		DR:	DWG NO:
				CHK:	SCALE: 1:1
				APP:	SHEET: 2 OF 2
				REV: B/1	