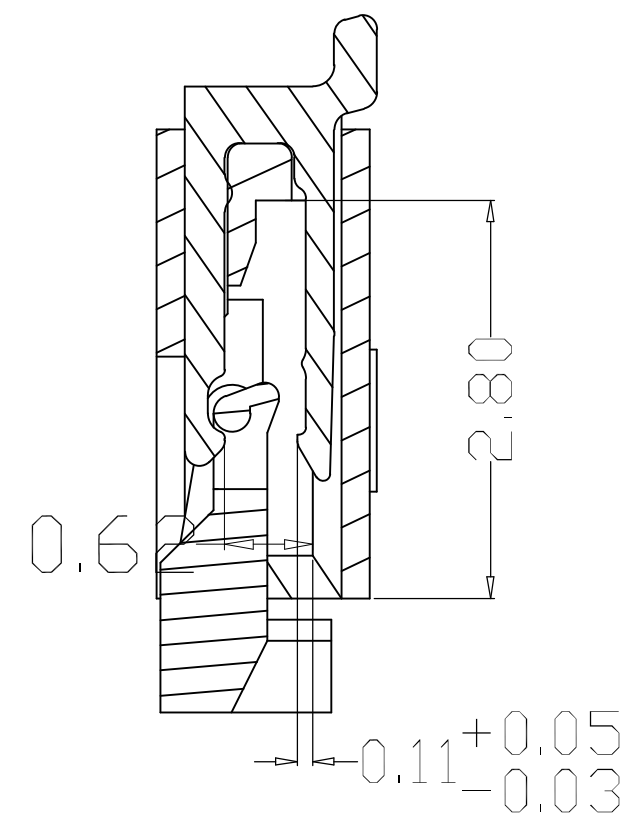
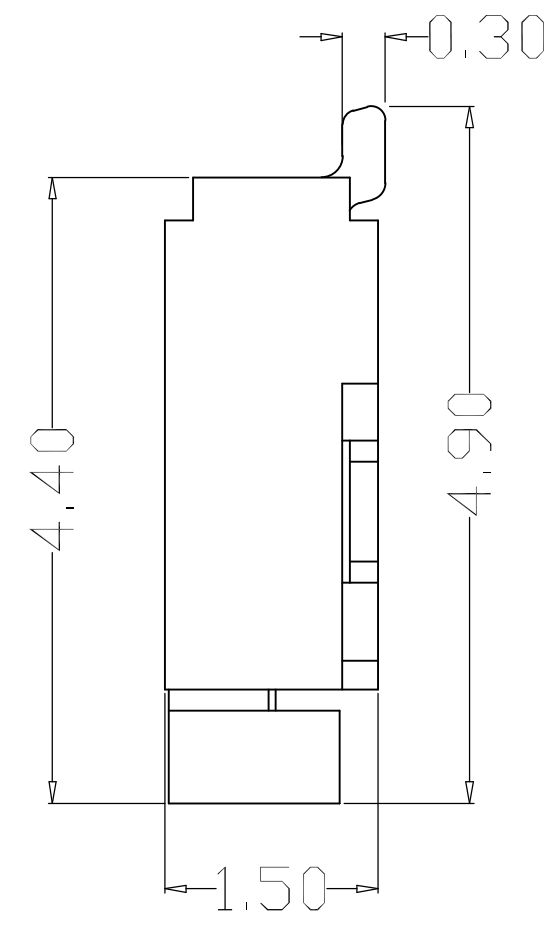
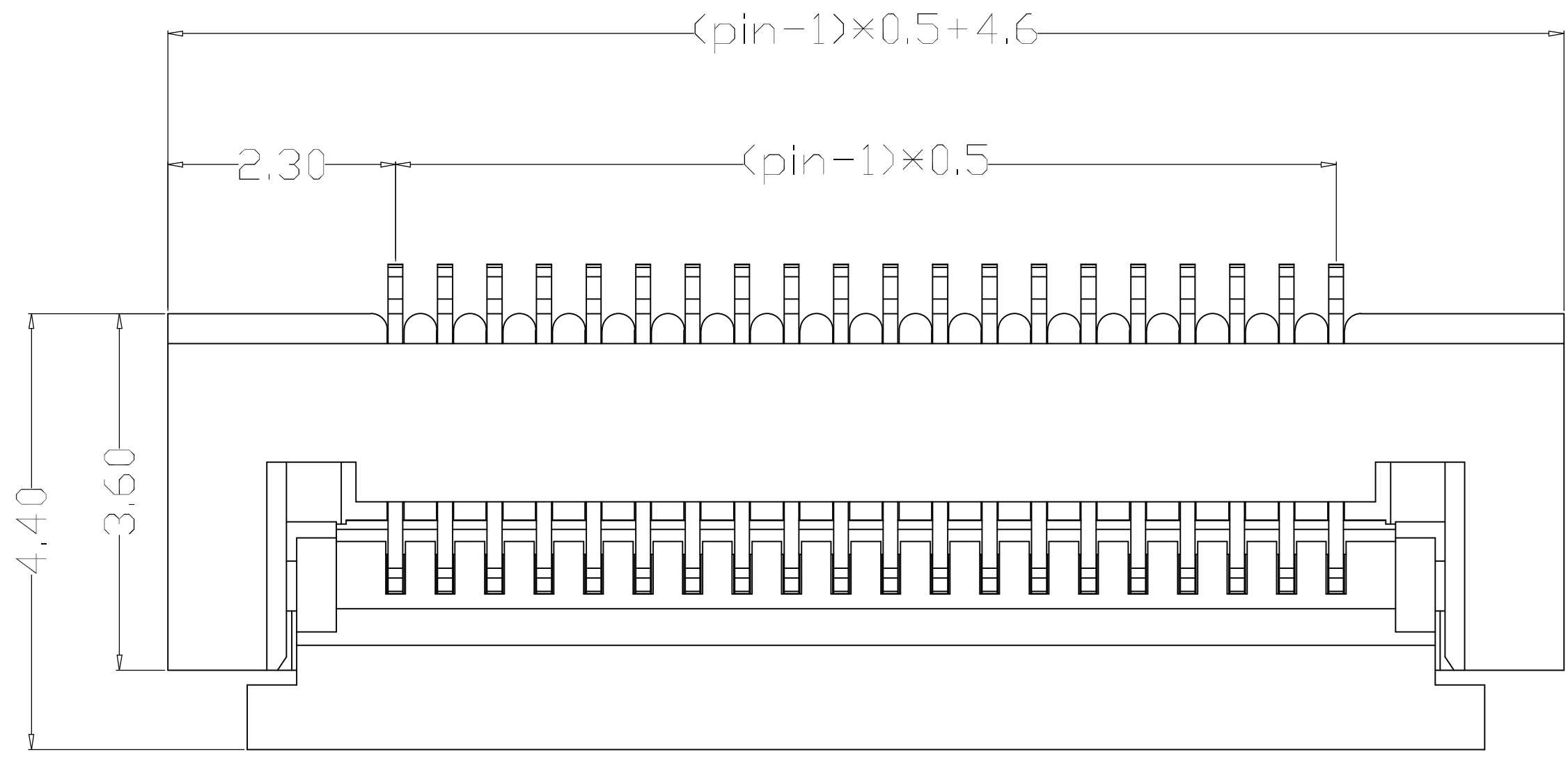
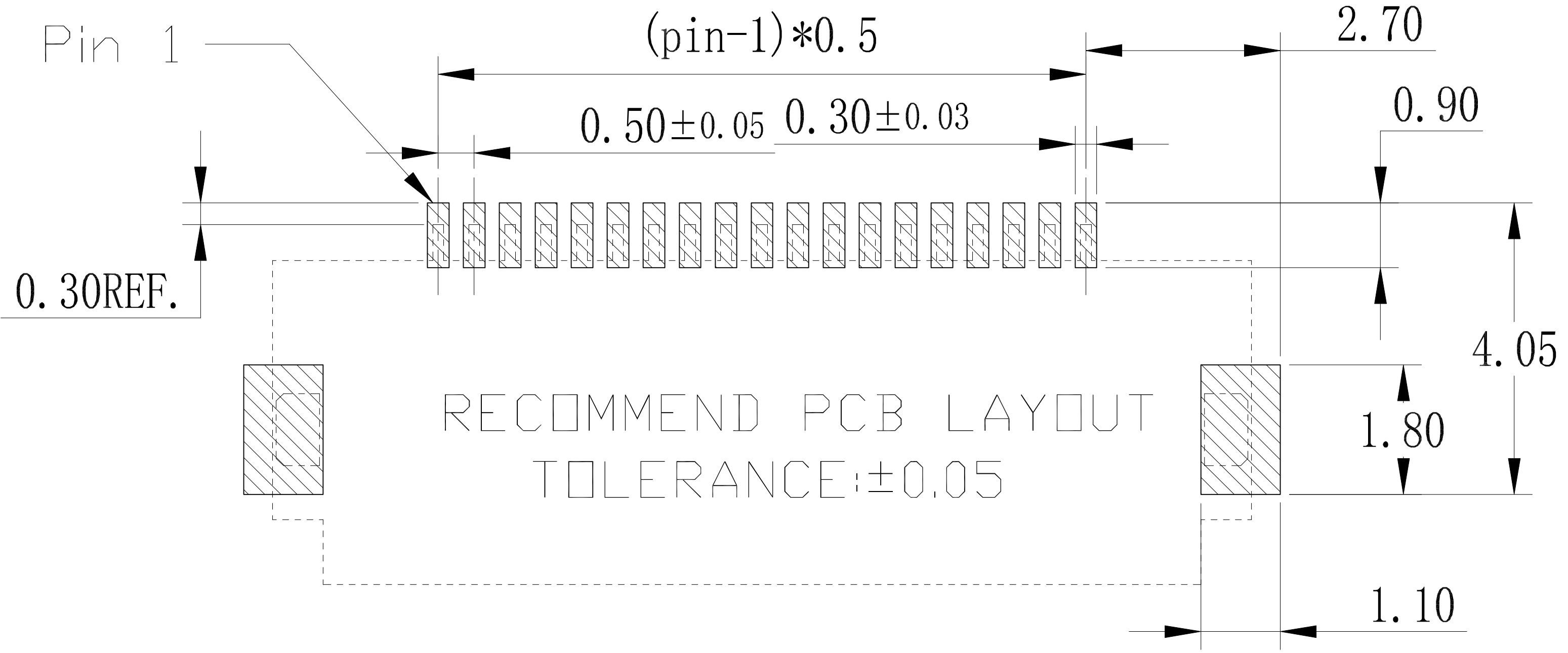
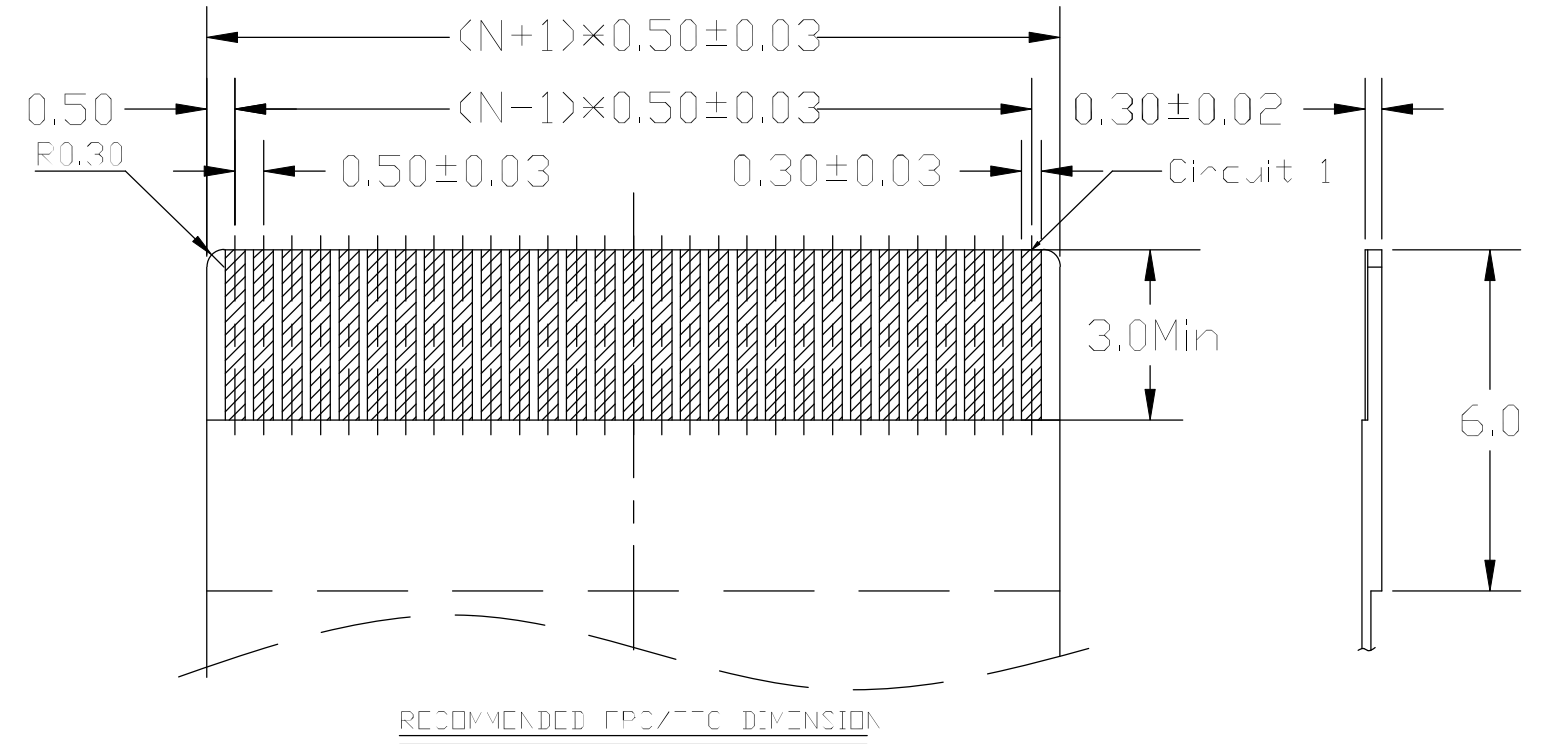
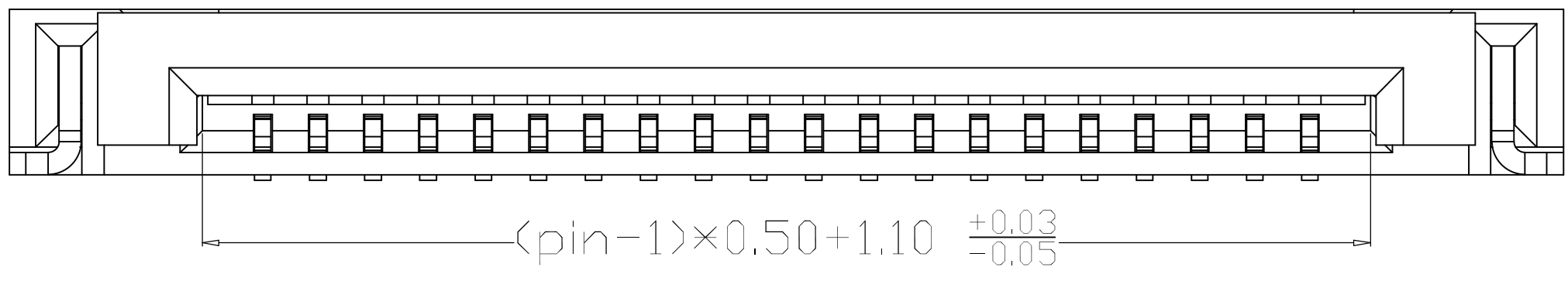


| REV. | DESCRIPTION | APPD. | DATE |
|------|-------------|-------|------|
| | | | |



NOTES:

- MATERIAL:
HOUSING: HIGH TEMPERATURE THERMOPLASTIC
UL94V_0, COLOR:BLACK.
CONTACT: COPPER ALLOYS.
- PLATING:
UNDERPLATE: NICKEL.
CONTACT AREA: TIN OVER NICKEL.
- MULTIMEDIA CARD COMPATIBLE



RECOMMEND PCB LAYOUT
TOLERANCE:±0.05

| | | | | | |
|--|----------|---|--|---------------------------|---------------|
| PART NO: | | MATERIAL: | | Bossie (博锡) | |
| LOT NO: | | FINISH: | | | |
| UNIT: MM | SIZE: A4 | COLOR: | | TITLE: 0.5mm P数:10 翻盖式 下接 | |
| TOLERANCES: X.X±0.35 X.XX±0.25 X.XXX±0.15 | | GENERAL ANGLE: X.X=±3.0° X.XX=±2.0° | | DR: | REV: C/0 |
| | | CHK: Zhou qi | | DWG NO: BX-FPC05-1.5H10PX | |
| | | APP: | | SCALE: 1:1 | SHEET: 1 OF 1 |