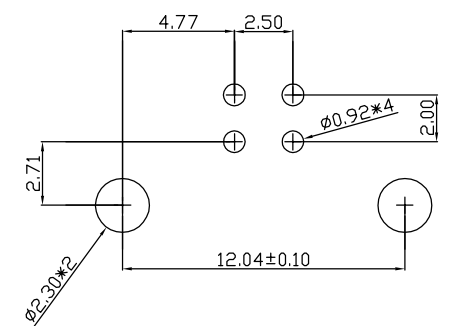
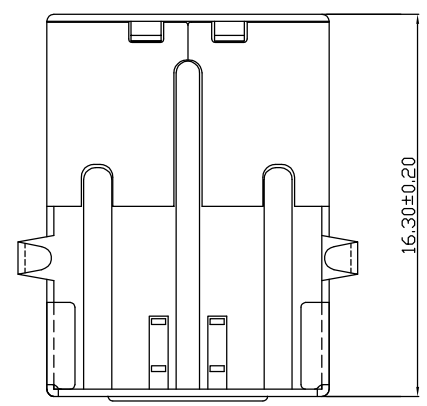
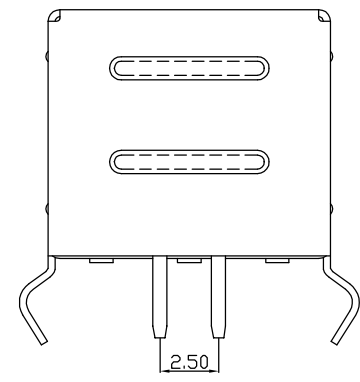
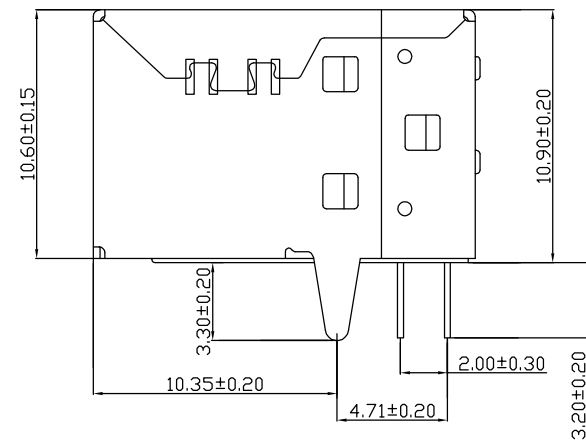
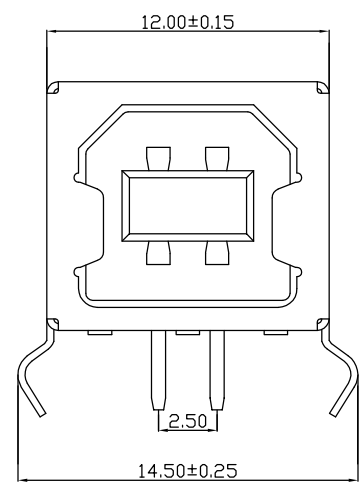


REV.	ECN.NO.	APPD.
A0	/	/

规格说明:Specifications:
 电气特性:Electrical:
 1. 额定电流: Current Rating
 1.5A/contact terminal
 2. 额定电压: Voltage Rating
 30V DC
 3. 接触阻抗;Contact Rosistance
 30 milliohms MAX
 4. 耐电压: Dielectric Withstanding Voitage :
 500 V AC AT Sea Levl
 5. 绝缘阻抗;Lnsulation Resistance :
 1000MEGA ohms MIN
 物理性能: Mechantcal;
 I. 插拔力: Cncctor Mte and Unmate Force
 Mate force:3.75kgf MAX
 Unmate force:1.02kgf MIN
 2. 端子保持力: Terminal Retenion
 1.2kgf MIN
 原材料: Mtorial :
 1. 塑胶: Housing:
 Hing Temperature Thermaplasties
 UL 94V-0 PBT White
 2. 端子: Contart : Ccpper Alloy C2680
 3. 外壳: Shell:Copper Alloy C2680/SPCC
 电镀: Finish :
 I. 端子: Contact; Pisted Gold in Mating Arca
 Tin Om Solder Talls
 2. 外壳: Shell :
 Nickel Plating



TOLERANCE UNLESS OTHERWISE SPECIFIED	
.XXX ±0.10	.X' ±3'
.XX ±0.20	.XX' ±2'
.X ±0.30	



APPROVED		PART NAME:	Type-B 母座 弯插			
CHECKED		PART No:	BX-TYPE-B-MWC6P		C	A
DRAWN		PROJECTION:	UNIT:	SCALE	SHEET	REV.
DATE			mm	1:1	10F1	A0