

SD CARD

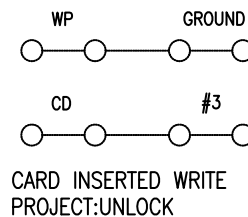
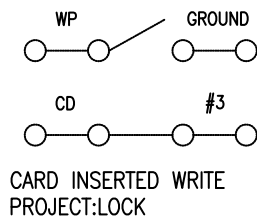
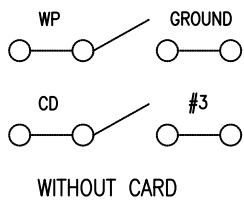
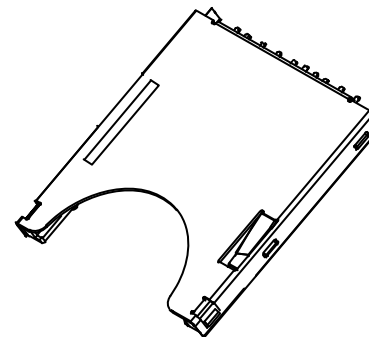
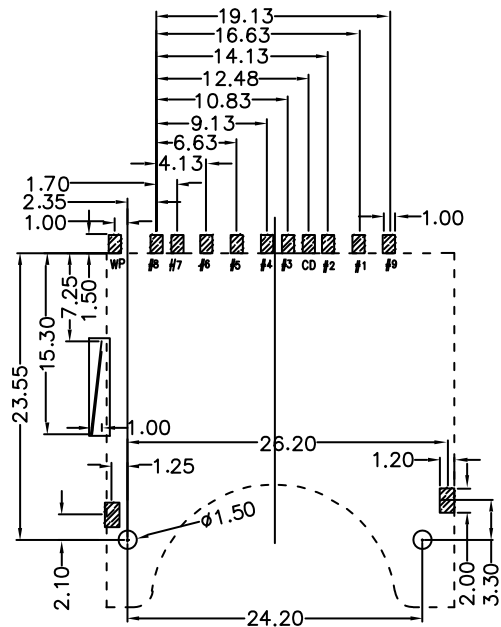
NOTES:

- 1.MATERIAL:  
HOUSING: HIGH TEMPERATURE THERMOPLASTIC UL94V\_0,COLOR:BLACK.  
CONTACT: COPPER ALLOYS.  
COVER: COPPER ALLOYS OR STEEL.
- 2.PLATING:  
UNDERPLATE: NICKEL.  
CONTACT AREA: GOLD OVER NICKEL.  
SOLDER AREA: TIN OVER NICKEL.
- 3.MULTIMEDIA CARD COMPATIBLE



General	Angle	设计		
X±0.50	X°±2°	DESIGN		
.X±0.30	.X°±1°	校阅		
.XX±0.20	.XX°±0.5°	CHECK		
GENERAL TOLERANCE UNLESS OTHERWISE NOTED		承认		
		APPRO.		

<b>JB Bossie (博锡)</b>	
E	TITLE: 标准SD卡卡座
PART NO.	BX-SD-2.9HY
PRODUCT SPEC.	标准SD卡卡座
FILE NAME.	
SCALE	1:1
UNIT:mm	A4
SHEET:1	OF 3

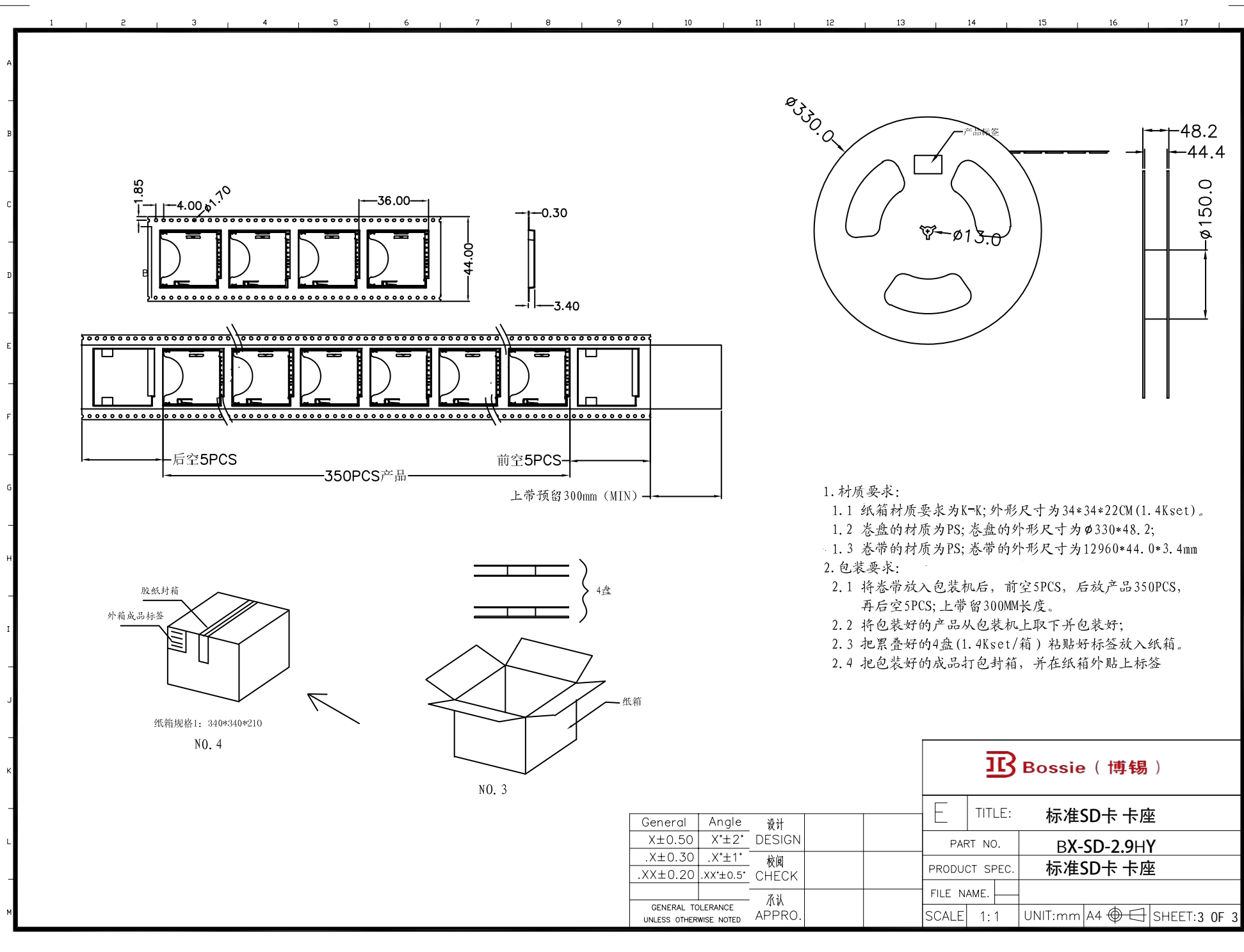


### SD CARD PIN DESIGN

PIN NO.	NAME	TYPE	DESCRIPTION
#1	CD/DAT3	I/O/PP	CARD DETECT/DATA LINE(BIT3)
#2	CMD	PP	COMMAND/RESPONSE
#3	VSS1	S	SUPPLY VOLTAGE GROUND
#4	VDD	S	SUPPLY VOLTAGE
#5	CLK	I	CLOCK
#6	VSS2	S	SUPPLY VOLTAGE GROUND
#7	DAT0	I/O/PP	DATA LINE(BIT 0)
#8	DAT1	I/O/PP	DATA LINE(BIT 1)
#9	DAT2	I/O/PP	DATA LINE(BIT 2)

General	Angle	设计		
X±0.50	X*±2°	DESIGN		
.X±0.30	.X*±1°	校阅		
.XX±0.20	.XX*±0.5°	CHECK		
GENERAL TOLERANCE UNLESS OTHERWISE NOTED		承认		
		APPRO.		

<b>IB Bossie (博锡)</b>	
E	TITLE: 标准SD卡卡座
PART NO.	BX-SD-2.9HY
PRODUCT SPEC.	标准SD卡卡座
FILE NAME.	
SCALE	1:1
UNIT:mm	A4
SHEET:2 OF 3	



1. 材质要求:
- 1.1 纸箱材质要求为K-K; 外形尺寸为34\*34\*22CM (1.4Kset).
  - 1.2 卷盘的材质为PS; 卷盘的外形尺寸为 $\phi 330*48.2$ ;
  - 1.3 卷带的材质为PS; 卷带的外形尺寸为12960\*44.0\*3.4mm
2. 包装要求:
- 2.1 将卷带放入包装机后, 前空5PCS, 后放产品350PCS, 再后空5PCS; 上带预留300MM长度。
  - 2.2 将包装好的产品从包装机上取下并包装好;
  - 2.3 把累叠好的4盘 (1.4Kset/箱) 粘贴好标签放入纸箱。
  - 2.4 把包装好的成品打包封箱, 并在纸箱外贴上标签

<b>JB Bossie (博锡)</b>			
E	TITLE:	标准SD卡卡座	
	PART NO.	BX-SD-2.9HY	
	PRODUCT SPEC.	标准SD卡卡座	
	FILE NAME.		
SCALE	1:1	UNIT:mm	A4  SHEET:3 OF 3

General	Angle	设计		
X $\pm$ 0.50	X $\pm$ 2°	DESIGN		
.X $\pm$ 0.30	.X $\pm$ 1°	校阅		
.XX $\pm$ 0.20	.XX $\pm$ 0.5°	CHECK		
GENERAL TOLERANCE UNLESS OTHERWISE NOTED		承认		
		APPRO.		