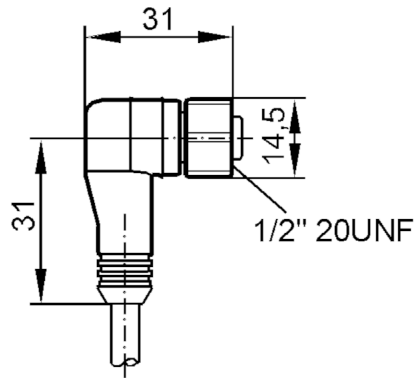


# E18210



## Female cordset

ADOAA030VAS0010E03



### Application

System gold-plated contacts

### Electrical data

Operating voltage [V] < 300 AC/DC

### Operating conditions

Ambient temperature [°C] -10...100

Protection IP 68

### Mechanical data

Weight [g] 294.835

Dimensions [mm] 31 x 14.5 x 31

Material PVC

Molded-body material PVC

Material nut stainless steel (1.4571/316Ti)

### Remarks

Pack quantity 1 pcs.

# E18210



## Female cordset

AD0AA030VAS0010E03

### Electrical connection

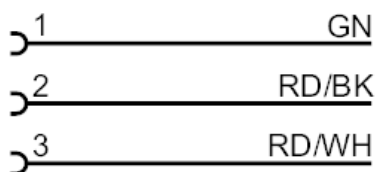
Cable: 10 m, PVC, yellow; 3 x 0.34 mm<sup>2</sup> / AWG 22

### Electrical connection - Socket

Connector: 1 x 1/2", angled; coding: C; Moulded body: PVC; Locking: stainless steel (1.4571/316Ti); Contacts: gold-plated



### Connection



GN = green  
RD/BK = red/black  
RD/WH = red/white

Core colors :