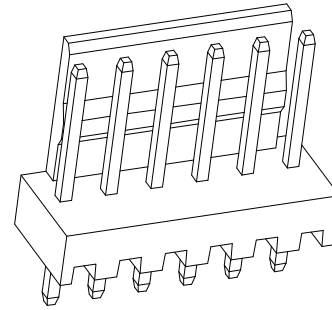


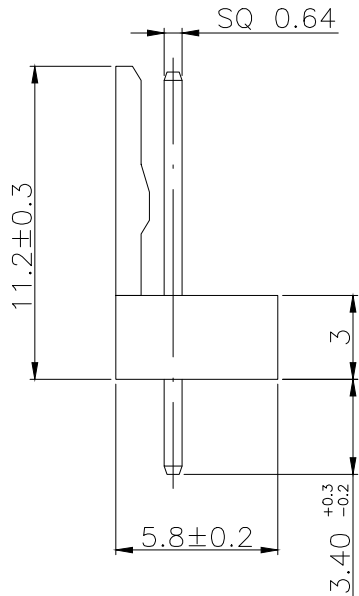
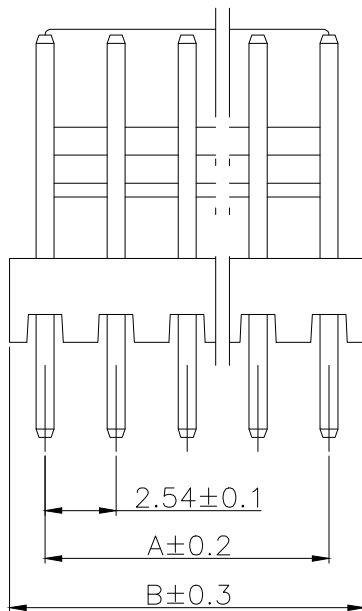
PCB LAYOUT



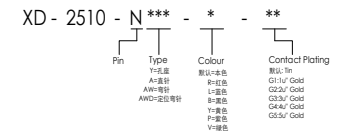
SPECIFICATIONS

1. Current Rating: 3A AC, DC
2. Voltage Rating: 250V AC, DC
3. Temperature Range: -25°C~ +85°C
4. Contact Resistance: 20mΩ Max
5. Insulation Resistance: 1000mΩ Min
6. Withstanding Voltage: 1000V AC/minute
7. Material: Wafer Nylon66 UL94-VO  
Pin Brass Tin-plated

Circuit	Part NO.	Dimensions mm	
		A	B
2	XD-2510-2A-X-XX	2.54	5.08
3	XD-2510-3A-X-XX	5.08	7.62
4	XD-2510-4A-X-XX	7.62	10.16
5	XD-2510-5A-X-XX	10.16	12.70
6	XD-2510-6A-X-XX	12.70	15.24
7	XD-2510-7A-X-XX	15.24	17.78
8	XD-2510-8A-X-XX	17.78	20.32
9	XD-2510-9A-X-XX	20.32	22.86
10	XD-2510-10A-X-XX	22.86	25.40
11	XD-2510-11A-X-XX	25.40	27.94
12	XD-2510-12A-X-XX	27.94	30.48
13	XD-2510-13A-X-XX	30.48	33.02
14	XD-2510-14A-X-XX	33.02	35.56
15	XD-2510-15A-X-XX	35.56	38.10
16	XD-2510-16A-X-XX	38.10	40.64
17	XD-2510-17A-X-XX	40.64	43.18
18	XD-2510-18A-X-XX	43.18	45.72
19	XD-2510-19A-X-XX	45.72	48.26
20	XD-2510-20A-X-XX	48.26	50.80



Ordering Information



GENERAL TOLERANCE			制图 DRAWING	05	深圳讯答科技有限公司 ShenzhenXunDaTechnology Co.,Ltd			
DIM TOL			审核 CHECK					
X.X ±0.30			批准 APPROVAL		产品名称 TITLE	2510 (2.50) 单排 直针	版本 REV.	A
X.XX ±0.20			投影 Projection		产品料号 PART NO.	XD-2510-NA-X-XX	单位 UNITS	mm
X.XXX ±0.10					材料 MATERIAL		页次 SHEET	1/1
序号 No.	变更内容 MODIFY CONTENT	日期 MODIFY DATE						