

SAC-4P-M12MSL/ 5,0-PUR/FSL - Power cable



1261835

<https://www.phoenixcontact.com/us/products/1261835>

Please be informed that the data shown in this PDF document is generated from our online catalog. Please find the complete data in the user documentation. Our general terms of use for downloads are valid.



Power cable, 4-position, Plug straight M12, coding: L, on Socket straight M12, coding: L, cable length: 5 m, for direct current up to 16 A/63 V

Your advantages

- Easy and safe: 100% electrically tested plug-in components
- Protection against mismatching, thanks to special L-coding
- Our standard: robust halogen-free PUR cable

Commercial data

Item number	1261835
Packing unit	1 pc
Minimum order quantity	25 pc
Note	Made to order (non-returnable)
Sales key	BF05
Product key	BF1CCR
GTIN	4063151373962
Weight per piece (including packing)	752.38 g
Weight per piece (excluding packing)	752.38 g
Customs tariff number	85444290
Country of origin	PL

SAC-4P-M12MSL/ 5,0-PUR/FSL - Power cable



1261835

<https://www.phoenixcontact.com/us/products/1261835>

Technical data

Product properties

Product type	Power cable
Number of positions	4
Application	Power supply
No. of cable outlets	1
Shielded	no
Coding	L

Insulation characteristics

Overvoltage category	III
Degree of pollution	3

Material specifications

Flammability rating according to UL 94	V0
--	----

Electrical properties

Nominal voltage U_N	63 V DC
Nominal current I_N	16 A
Protective circuit	unwired

Connector

Connection 1

Type	Plug straight M12
Coding type	L (Power)

Connection 2

Type	Socket straight M12
Coding type	L (Power)

Cable/line

Cable length	5 m
--------------	-----

PUR halogen-free black [PUR]

Dimensional drawing	
UL AWM Style	20233 / 10493 (80°C/300 V)

SAC-4P-M12MSL/ 5,0-PUR/FSL - Power cable



1261835

<https://www.phoenixcontact.com/us/products/1261835>

Number of positions	4
Shielded	no
Cable type	PUR halogen-free black [PUR]
Conductor cross section	4x 2.5 mm ²
Wire diameter incl. insulation	2.85 mm ±0.1 mm
External cable diameter	8.8 mm ±0.25 mm
Outer sheath, material	PUR
External sheath, color	black-gray RAL 7021
Conductor material	Bare Cu litz wires
Material wire insulation	PP
Single wire, color	brown, white, blue, black
Thickness, insulation	≥ 0.31 mm
Thickness, outer sheath	approx. 0.76 mm
Max. conductor resistance	≤ 8 Ω/km (at 20 °C)
Insulation resistance	≥ 1 GΩ*km (at 20 °C)
Nominal voltage, cable	≤ 300 V AC
Test voltage	≥ 3000 V AC (Spark test)
Minimum bending radius, fixed installation	5 x D
Minimum bending radius, flexible installation	10 x D
Max. bending cycles	4000000
Halogen-free	in accordance with DIN VDE 0472 part 815 in accordance with DIN EN 50267-2-1
Flame resistance	According to UL 758/1581 (Cable Flame) according to UL 758/1581 FT1 According to DIN EN 60332-1-2
Resistance to oil	according to DIN EN 60811-404, 168 h at 100 °C
Other resistance	Hydrolysis and microbe resistant as per VDE 0282 section 10 Low adhesion abrasion-resistant Resistant to salt water
Ambient temperature (operation)	-50 °C ... 80 °C (cable, fixed installation) -30 °C ... 80 °C (Cable, flexible installation)

Environmental and real-life conditions

Ambient conditions

Degree of protection	IP65
	IP67

Standards and regulations

Standard designation	M12 connector
Standards/specifications	IEC 61076-2-111

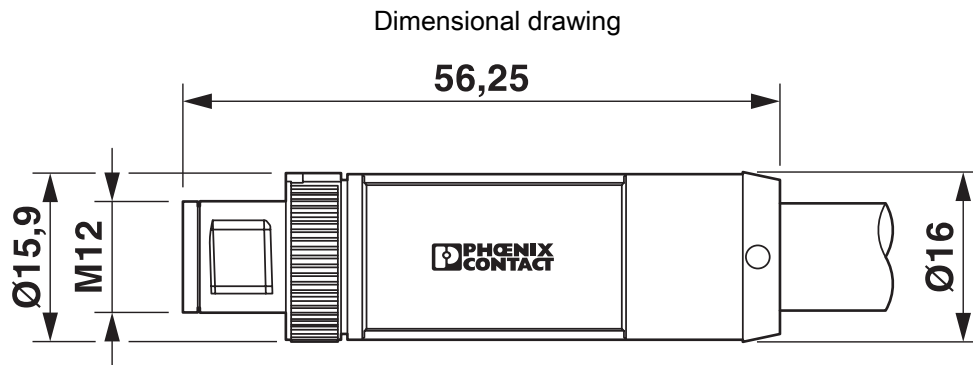
SAC-4P-M12MSL/ 5,0-PUR/FSL - Power cable



1261835

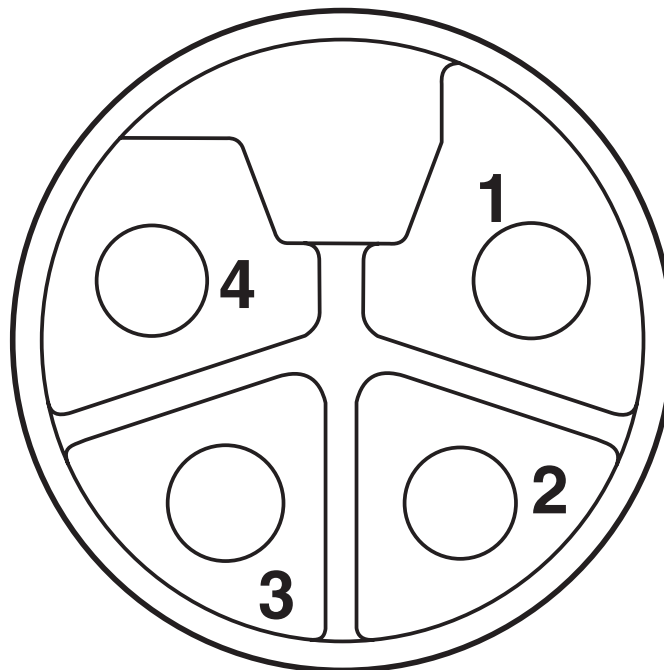
<https://www.phoenixcontact.com/us/products/1261835>

Drawings



Plug, M12 x 1, straight, shielded

Schematic diagram



Pin assignment of M12 socket, 4-pos.

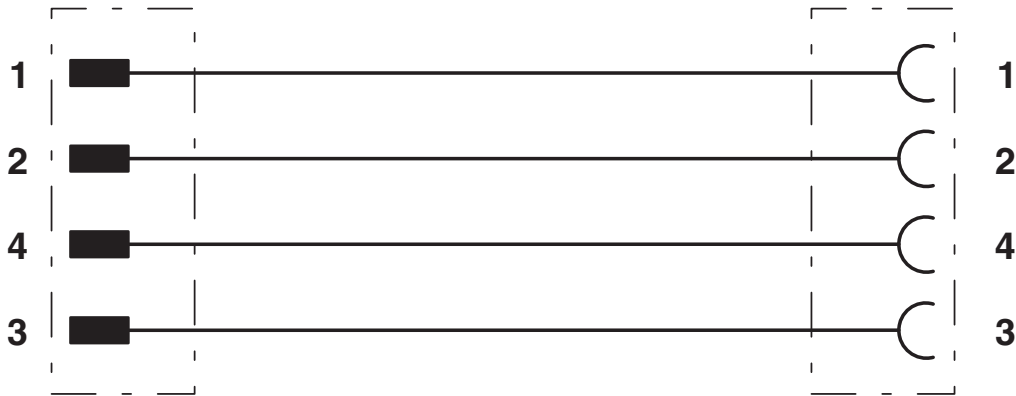
SAC-4P-M12MSL/ 5,0-PUR/FSL - Power cable



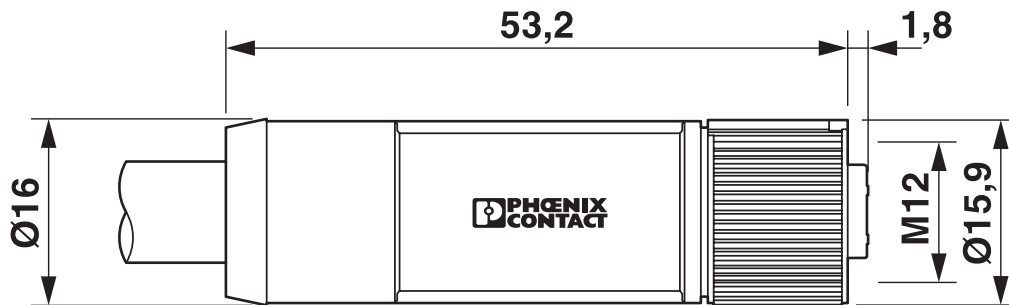
1261835

<https://www.phoenixcontact.com/us/products/1261835>

Circuit diagram



Dimensional drawing



M12 x 1 socket, straight

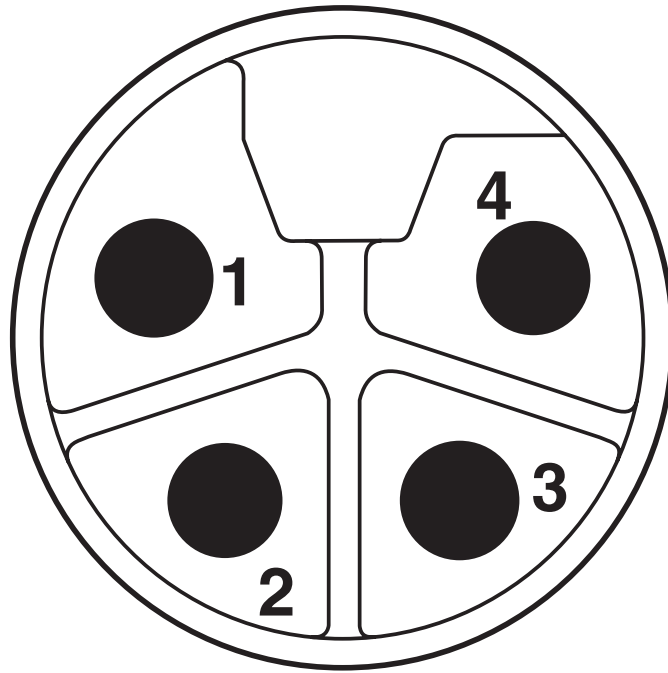
SAC-4P-M12MSL/ 5,0-PUR/FSL - Power cable

1261835

<https://www.phoenixcontact.com/us/products/1261835>



Schematic diagram



Pin assignment M12 male connector, 4-pos.

SAC-4P-M12MSL/ 5,0-PUR/FSL - Power cable



1261835

<https://www.phoenixcontact.com/us/products/1261835>

Approvals

To download certificates, visit the product detail page: <https://www.phoenixcontact.com/us/products/1261835>



UL Listed

Approval ID: E468743



cUL Listed

Approval ID: E468743

cULus Listed

SAC-4P-M12MSL/ 5,0-PUR/FSL - Power cable



1261835

<https://www.phoenixcontact.com/us/products/1261835>

Classifications

ECLASS

ECLASS-11.0	27060311
ECLASS-12.0	27060311
ECLASS-13.0	27060327

ETIM

ETIM 8.0	EC001855
----------	----------

UNSPSC

UNSPSC 21.0	26121600
-------------	----------

SAC-4P-M12MSL/ 5,0-PUR/FSL - Power cable



1261835

<https://www.phoenixcontact.com/us/products/1261835>

Environmental product compliance

China RoHS	Environmentally friendly use period: unlimited = EFUP-e
	No hazardous substances above threshold values

SAC-4P-M12MSL/ 5,0-PUR/FSL - Power cable



1261835

<https://www.phoenixcontact.com/us/products/1261835>

Accessories

PROT-M12 FS - Sealing cap

1560251

<https://www.phoenixcontact.com/us/products/1560251>



M12 sealing cap for unoccupied M12 plugs of the sensor/actuator cable, flush-type plugs and I/O devices in the field

PROT M12 MS PWR - Screw plug

1092802

<https://www.phoenixcontact.com/us/products/1092802>



An M12 screw plug for the unoccupied M12 females of the M12 POWER connectors, boxes, and flush-type connectors

Phoenix Contact 2023 © - all rights reserved

<https://www.phoenixcontact.com>

Phoenix Contact USA
586 Fulling Mill Road
Middletown, PA 17057, United States
(+717) 944-1300
info@phoenixcon.com