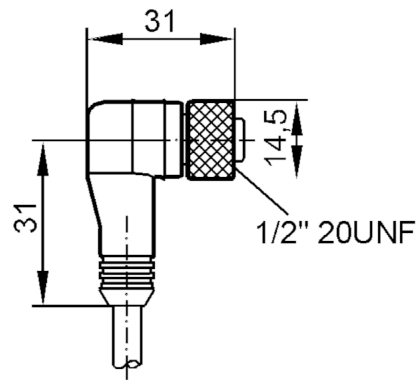


E18215



Female cordset

ADOAAO30MSS0005E03



Application	
System	gold-plated contacts
Electrical data	
Operating voltage [V]	< 300 AC/DC
Operating conditions	
Ambient temperature [°C]	-20...80
Protection	IP 68
Mechanical data	
Weight [g]	154.221
Dimensions [mm]	31 x 14.5 x 31
Material	PVC
Molded-body material	PVC
Material nut	brass, nickel-plated
Remarks	
Pack quantity	1 pcs.

E18215



Female cordset

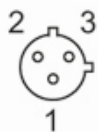
ADOAAO30MSS0005E03

Electrical connection

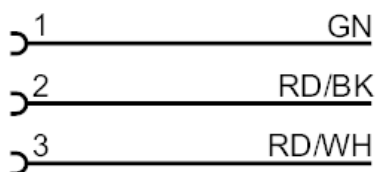
Cable: 5 m, PVC, yellow; 3 x 0.34 mm² / AWG 22

Electrical connection - Socket

Connector: 1 x 1/2", angled; coding: C; Moulded body: PVC; Locking: brass, nickel-plated; Contacts: gold-plated



Connection



GN = green
RD/BK = red/black
RD/WH = red/white