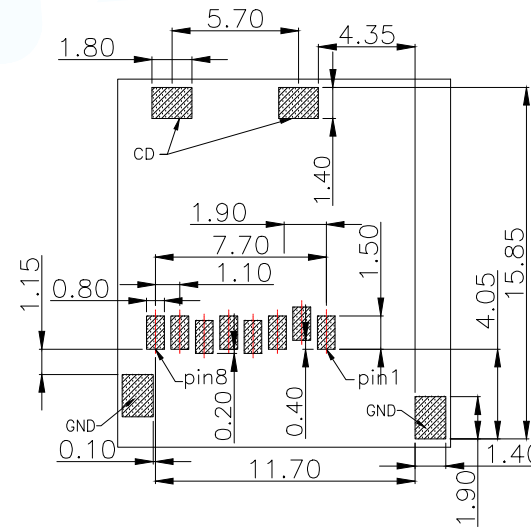
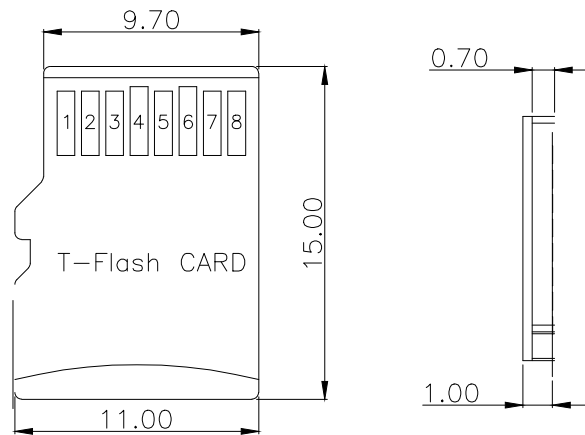
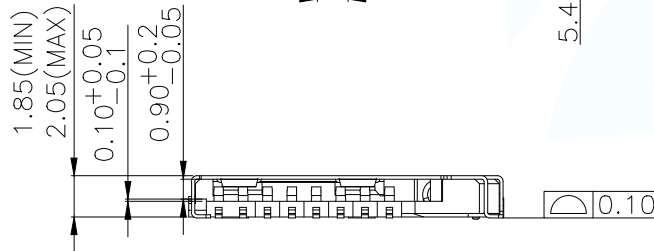
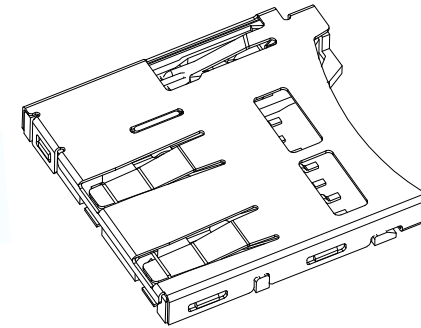


NOTES:

- 1.MATERIAL:
HOUSING: HIGH TEMPERATURE THERMOPLASTIC UL94V_0,COLOR:BLACK.
CONTACT: COPPER ALLOYS.
COVER: COPPER ALLOYS OR STEEL.
- 2.PLATING:
UNDERPLATE: NICKEL.
CONTACT AREA: GOLD OVER NICKEL.
SOLDER AREA: TIN OVER NICKEL.
- 3.MULTIMEDIA CARD COMPATIBLE



PAD AREA
 KEEP OUT AREA
 RECOMMENDED PCB LAYOUT
 GENERAL TOLERANCE ±0.05

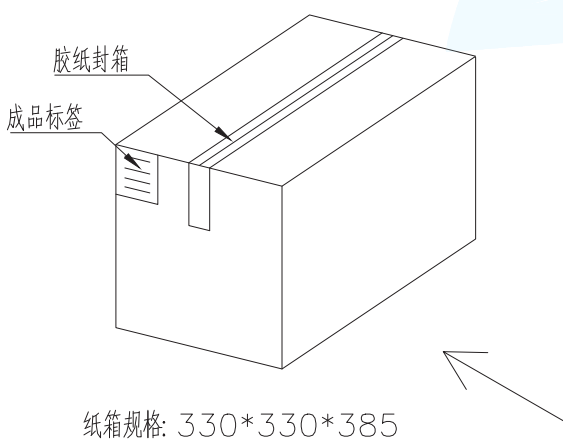
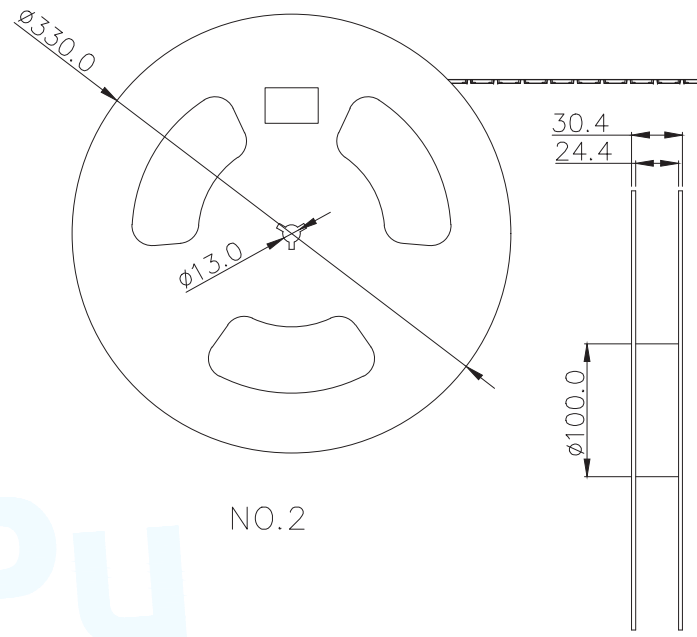
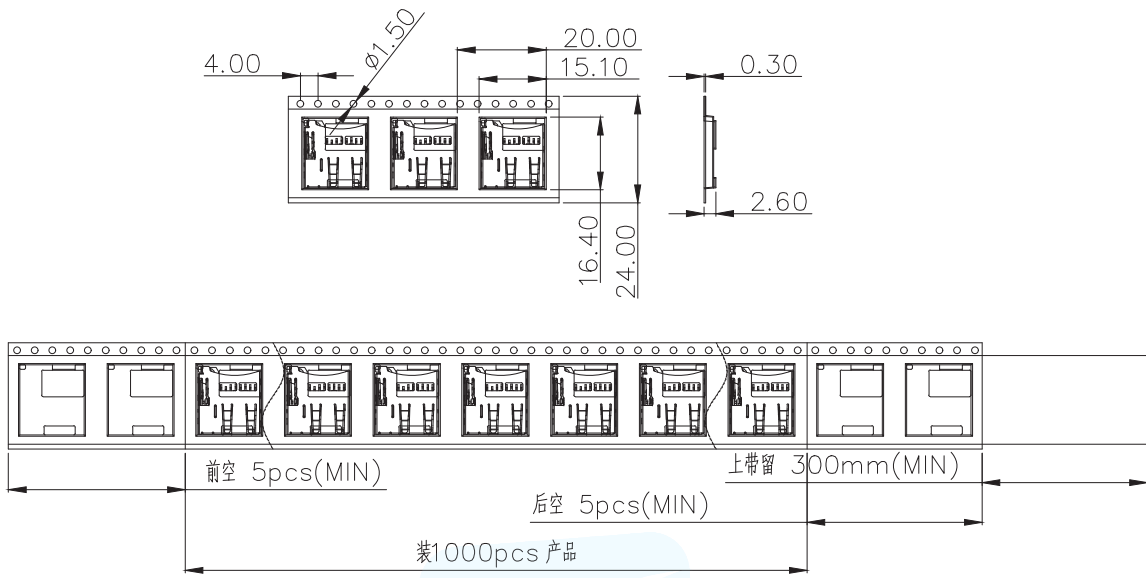
Circuit Diagram for Detect Switch



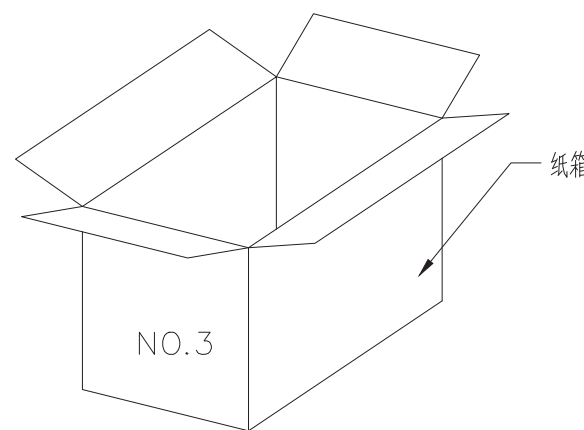
TF CARD PIN DEFINE

PIN NO.	NAME	YTYPE	DESCRIPTION
1	DAT2	I/O/PP	DATE LINE(BIT2)
2	CD/DAT3	I/O/PP	CARD DETECT DATE LIN(BIT3)
3	CMD	PP	COMMAND RESPONSE
4	VDD	S	SUPPLY VOLTAGE
5	CLX	I	CLOCK
6	VSS	S	SUPPLY VOLTAGE GROUND
7	DAT0	I/O/PP	DATE LINE(BIT0)
8	DAT1	I/O/PP	DATE LINE(DIT1)

MANUFACTURE DWG		东莞市讯普电子科技有限公司 DongGuan XunPu Electronics Co.,Ltd	
UNLESS OTHERWISE SPECIFIED TOLERANCES			TITLE:T-FLASH CARD PUSH B TYPE 内焊
			PAR TF-101B
DECIMALS:	ANGLES:		DWN
X.X:±0.35	X.X':±3°		CHKD
X.XX:±0.25	X.XX':±2°	APVD	SCALE:1:1 UNIT:MM
X.XXX:±0.15		CUSTOMER COPY	SIZE:A4 SHEET:1F1 REV:A



纸箱规格: 330*330*385



1. 材质要求:

- 1.1 纸箱的材质为K=K; 外形尺寸为33*33*38.5CM;
- 1.2 卷盘的材质为PS, 卷盘的外形尺寸为 $\phi 330*30.4$;
- 1.3 卷带的材质为PS, 卷带的外形尺寸为20200*24.00*2.6mm

2. 包装要求:

- 2.1 将卷带放入包装机后, 前空5PCS, 后放产品1000PCS, 再后空5PCS; 上带留300MM长度。
- 2.2 将包装好的产品从包装机上取下并包装好;
- 2.3 把累叠好的12盘叠放入纸箱中共计12Kset;
- 2.4 把包装好的成品打包封箱, 并在纸箱外贴上标签

MANUFACTURE DWG		东莞市讯普电子科技有限公司 DongGuan XunPu Electronics Co.,Ltd		
UNLESS OTHERWISE SPECIFIED TOLERANCES			TITLE: T-FLASH CARD PUSH PUSH B TYPE 内焊	
			PAR	TF-101B
			DWN	
			CHKD	
DECIMALS:	ANGLES:	APVD		
X.X: ± 0.35	X.X': $\pm 3'$	SCALE: 1:1	UNIT: MM	
X.XX: ± 0.25	X.XX': $\pm 2'$	SIZE: A4	SHEET: 1F1	
X.XXX: ± 0.15		CUSTOMER COPY		REV: A