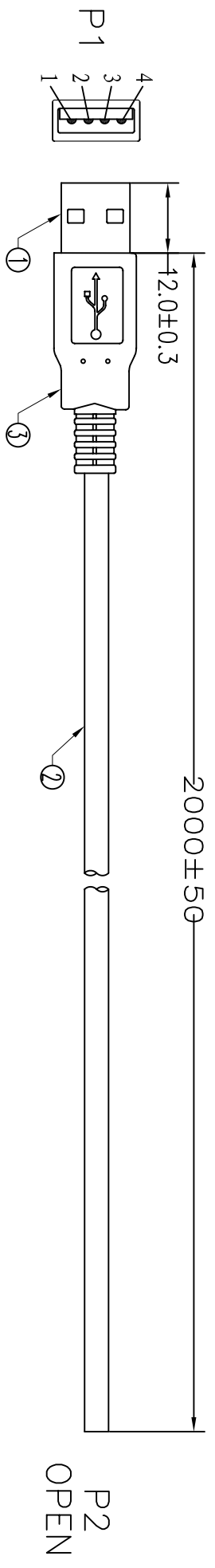
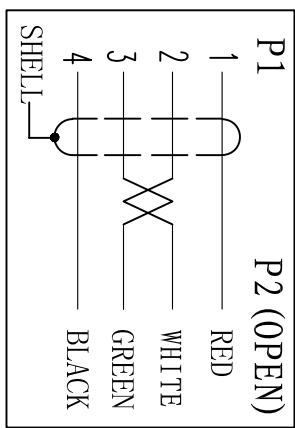


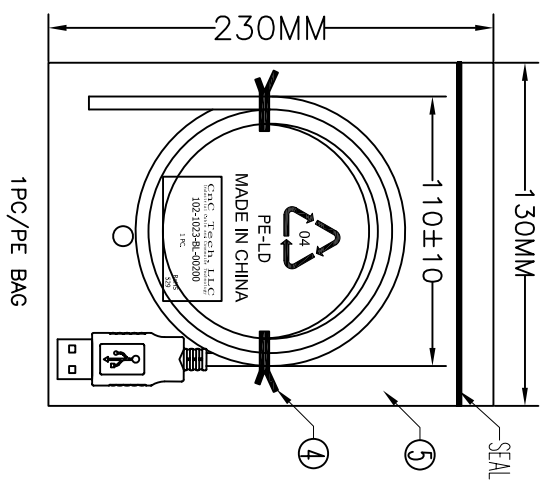
UNIT: mm



PIN ASSIGNMENT:



**Electrical test:**  
 1. 100% short, open, miswire test  
 2. Conduct resistance: 2 Ohm(max)  
 3. Insulation resistance: 5Mohm(min)  
 4. dielectric test: DC 300V



1PC/PE BAG

⑥	PE BAG	1/10	CLEAR SIZE: 280*330*0.05mm	PRINT BLACK	MADE IN CHINA	"10PCS"印生产周期, 有透气孔.
⑤	PE BAG	1	CLEAR SIZE: 130*230*0.05mm	PRINT BLACK	MADE IN CHINA	"1PC"印生产周期, 有透气孔.
④	TIE	2	BLACK L=100mm			
③	OUT JACKET	6g	BLACK PVC-45P (MOULD NO.: WM-40)			
②	CABLE	1	BLACK USB2.0 UL2725 28#/1P+24#/2C+AB	OD: 4.7mm	L=2000±10	
①	CONN	1	USB A MALE NICKEL PIN G/F 3PCS TYPE			
NO.	NAME	Q'TY	SPECIFICATION			

**CNC Tech, LLC**  
 Industrial Cable and Connector Technology

DRAWN	ZHONGHS	DRAWING NO	
CHECKED		CUSTOMER	
APPROVAL		ITEM NO.	102-1023-BL-00200
DECIDED		DATE	2012-02-14
VERSIONS/EDITION	A/0	PROJECTION	