

**Ratings**

Voltage: 150 V  
 Temperature: -40°C~70°C

**Conductor**

Conductor count: 2  
 Gauge: 18 AWG 0.82 mm<sup>2</sup>  
 Material: tinned copper strands  
 Strand size:  $\varnothing 0.127 \times 65$   
 Resistance at 20 °C: 23.2  $\Omega$  /km max

**Insulator**

Material: HDPE  
 Color: white, black  
 Diameter:  $\varnothing 1.65 \pm 0.10$  mm  
 Nominal thickness: 0.21 mm  
 Resistance at 20 °C: 100 M $\Omega$  /km min

**Wrap:**

Material: cotton paper

**Filler**

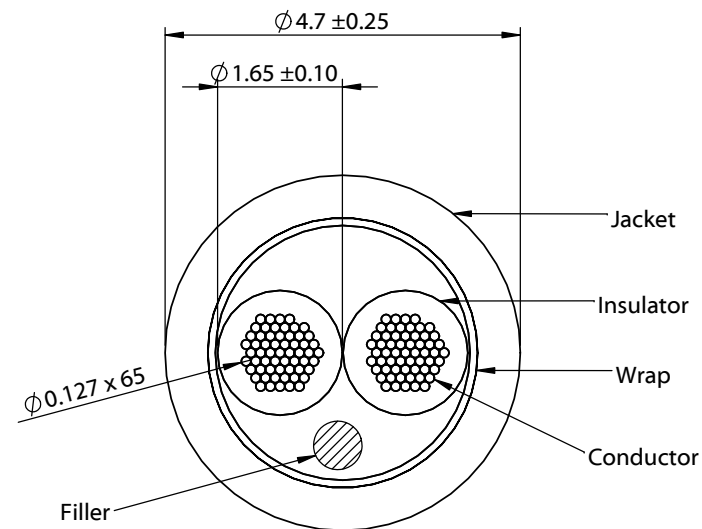
Material: aramid fiber

**Outer jacket**

Material: TPU  
 Color: black  
 Diameter:  $\varnothing 4.7 \pm 0.25$  mm  
 Nominal thickness: 0.6 mm

**Tests**

Tensile strength: 26 kgf min  
 Dielectric test: 1500 Vdc for 1 minute without breakdown  
 Bend test at 200g,  $\pm 60^\circ$ , 30 cycles/min: 15,000 cycle minimum



Revision:	Date:	Description:	Prepared:	Notes: RoHS compliant Jacket meets ISO 10993 Biological Compatibility Phthalate and halogen free Function test: no open, no short, no intermittent	<b>TENSILITY</b> tel 1.541.323.3228 800 877.670.7118 fax 1.541.323.4202 web tensility.com
A	08/30/2022	Initial release	Verified:		
			Dimensions are in millimeters. Tolerances: X: $\pm 0.5$ mm X.X: $\pm 0.3$ mm X.XX: $\pm 0.05$ mm	Description:	Size: Part number:
				Wire, 2C TS, 18 AWG, 150V, 70C, 4.7 mm, TPU, 75A, WBL	A 30-02630
				Scale: 10:1	

4

↑

4

3

2

1