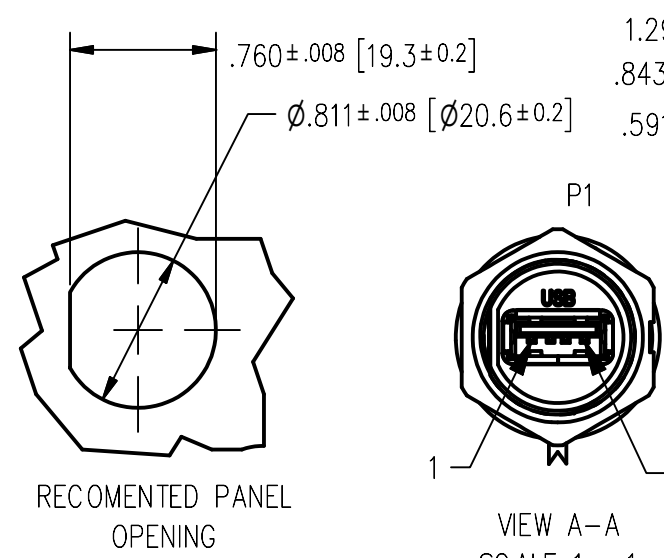
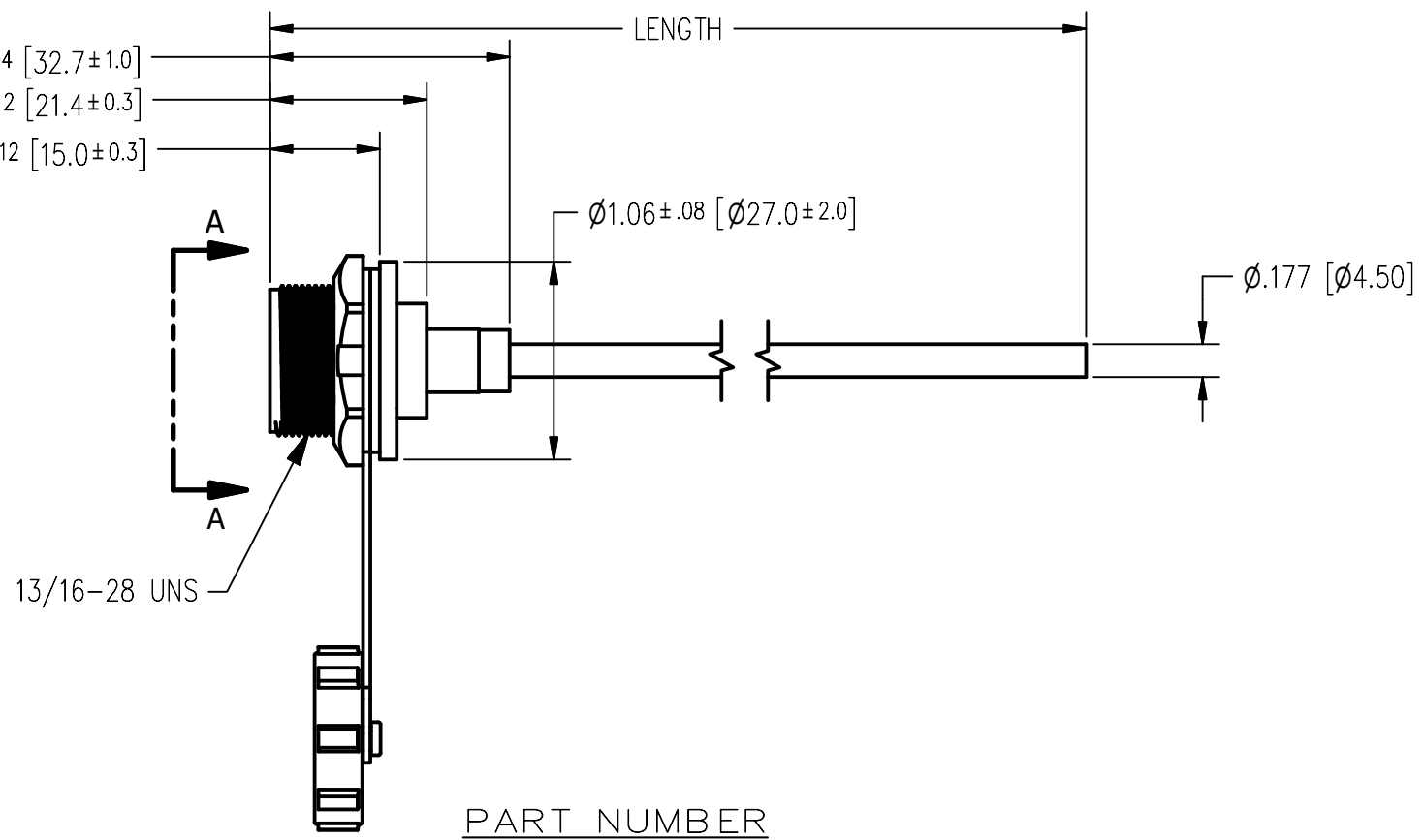


DATE	REV	ECN	APP'D BY
2/4/2021	A0		JE
4/23/2021	A1	11739	GL



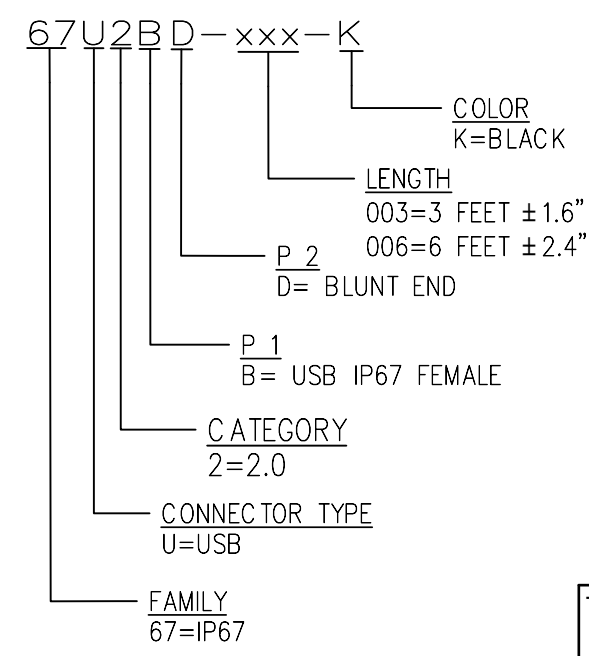
1.29±.04 [32.7±1.0]
.843±.012 [21.4±0.3]
.591±.012 [15.0±0.3]



NOTES:

1. PACKAGING:
 - a. EACH CABLE ASSEMBLY TO BE INDIVIDUALLY BAGGED
2. MATERIAL:
 - a. CABLE: USB 2.0 A/F UL2725 1P*28AWG (7/0.2TC) +AL+D+B64 PVC COVER, COLOR BLACK.
 - b. USB 2.0 A/F
 - INSULATOR: PPT UL 94V-0, COLOR WHITE
 - METAL SHELL: COPPER ALLOY, NI PLATING
 - CONTACTS: COPPER ALLOY Au FLASH ON CONTACT AREA OVER NI
 - c. OVERMOLD: PVC UL 94V-0 COLOR BLACK
 - d. HOUSING: PA66 UL94V-0 COLOR BLACK
 - e. GASKET: SILICONE, COLOR BLACK
 - f. SCREW NUT: PA66 UL94V-0 COLOR BLACK
 - g. DUST CAP: PA66 UL94V-0 COLOR BLACK
 - h. DUST CAP GASKET: SILICONE
 - g. DUST CAP: PA66 UL94V-0 COLOR BLACK
 - h. DUST CAP GASKET: SILICONE
3. SPECIFICATIONS:
 - a. WIRE SPEIFICATION 23/24 AWG
 - b. NUMBER OF CONTACTS: 4
 - c. TEMPERATURE RANGE -40~C~ 80~C
 - d. FLAMMABILIIY RATING: UL94-V0
 - e. PROTECTION LEVEL: IP67
 - f. WITHSTANDING VOLTAGE: 1000V/1 MIN
 - g. CURRENT RATING: 1.5A
 - h. CONTACT RESISTANCE: ≤ 30MΩ
 - ii. NSULATION RESISTANCE: 100MΩ DC500V

PART NUMBER
STRUCTURE



P1	WIRE COLOR	P2
1	RED	
2	WHITE	
3	GREEN	
4	BLACK	
SHELL	SHIELD BRAID	

<p>THIRD ANGLE PROJECTION</p>	<p>stewart CONNECTOR a bel group</p>	11118 Susquehanna Trail South Glen Rock, PA 17327-9199 (717) 235-7512 http://www.stewartconnector.com	
		<p>DO NOT SCALE DRAWING</p> <p>DRAWING IS SUBJECT TO CHANGE WITHOUT NOTICE</p>	
<p>DIMENSIONS: INCHES [METRIC]</p> <p>UNLESS OTHERWISE SPECIFIED TOLERANCES ARE ±.005 [0.13] ANGLES ARE ± 1°</p>		<p>TITLE: USB 2.0 TYPE A FEMALE CIRCULAR COUPLING TO BLUNT</p>	
<p>SHEET NO. 1 OF 1</p>		<p>DRN BY: GWL</p> <p>DATE: 1/14/2021</p>	<p>APP'D BY: JE</p> <p>DATE: 2/4/2021</p>
<p>OTHER PATENTS MAY BE PENDING.</p>		<p>DWG NO: CT999239</p>	<p>REV. A1</p>

