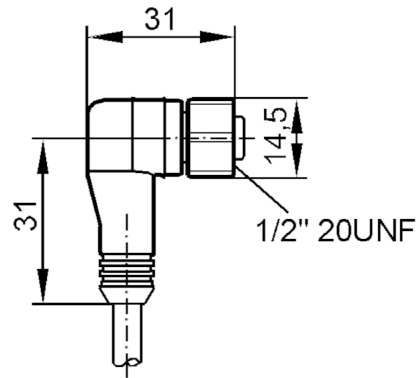


# E18209



## Female cordset

ADOAA030VAS0005E03



Application	
System	gold-plated contacts
Electrical data	
Operating voltage [V]	< 300 AC/DC
Operating conditions	
Ambient temperature [°C]	-10...100
Protection	IP 68
Mechanical data	
Weight [g]	199.58
Dimensions [mm]	31 x 14.5 x 31
Material	PVC
Molded-body material	PVC
Material nut	stainless steel (1.4571/316Ti)
Remarks	
Pack quantity	1 pcs.

# E18209



## Female cordset

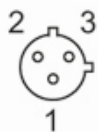
AD0AA030VAS0005E03

### Electrical connection

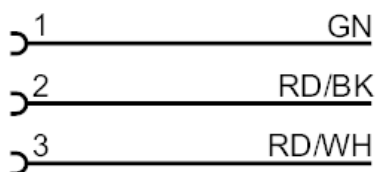
Cable: 5 m, PVC, yellow; 3 x 0.34 mm<sup>2</sup> / AWG 22

### Electrical connection - Socket

Connector: 1 x 1/2", angled; coding: C; Moulded body: PVC; Locking: stainless steel (1.4571/316Ti); Contacts: gold-plated



### Connection



GN = green  
RD/BK = red/black  
RD/WH = red/white