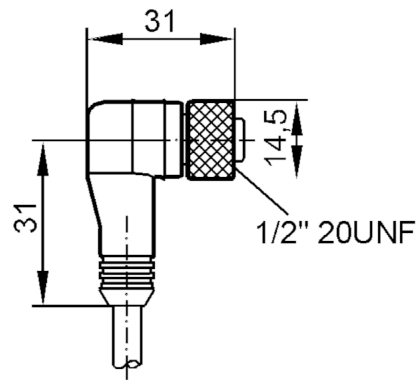


E18204



Female cordset

ADOAA030MSS0005X03



Application

System gold-plated contacts

Electrical data

Operating voltage [V] < 300 AC/DC

Operating conditions

Ambient temperature [°C] -45...105

Protection IP 68

Mechanical data

Weight [g] 204.116

Dimensions [mm] 31 x 14.5 x 31

Material TPE

Molded-body material TPE

Material nut brass, nickel-plated

Remarks

Pack quantity 1 pcs.

E18204



Female cordset

AD0AA030MSS0005X03

Electrical connection

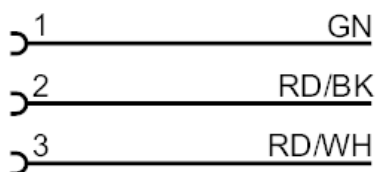
Cable: 5 m, TPE-S, yellow; 3 x 0.34 mm² / AWG 22

Electrical connection - Socket

Connector: 1 x 1/2", angled; coding: C; Moulded body: TPE; Locking: brass, nickel-plated; Contacts: gold-plated



Connection



GN = green
RD/BK = red/black
RD/WH = red/white