



Heat Shrink Tubing > DWTC Heat shrink Tubing



Primary Product Color: **Transparent**

Wall Type: **Dual Wall**

Expanded Inside Diameter (Min): **4 mm [.157 in]**

Recovered Inside Diameter (Max): **1 mm [.039 in]**

Shrink Ratio: **4:1**

[All DWTC Heat shrink Tubing \(9\)](#)

Features

Product Type Features

Wall Type	Dual Wall
-----------	-----------

Body Features

Fluid Type	Antifreeze, Battery Acid, Diesel Fuel, Hydraulic Fluid, Lubricating Oil
Primary Product Color	Transparent
Shrink Ratio	4:1
Primary Product Material	Irradiated Modified Polyolefin
Flexibility	Flexible

Dimensions

Recovered Wall Thickness (Tolerance)	.15 mm[.006 in]
Recovered Wall Thickness (Nominal)	.8 mm[.031 in]
Product Length	1220 mm[48.031 in]
Expanded Inside Diameter (Min)	4 mm[.157 in]
Recovered Inside Diameter (Max)	1 mm[.039 in]
Tubing Size Range	1 – 4 mm[.039 – .157 in]

Usage Conditions

Shrink Temperature (Min)	60 °C
--------------------------	-------



Resistance Properties	Moisture
Tubing Flammability Type	Non-Flame-Retardant
Operating Temperature Range	-55 – 75 °C
Recovery Temperature	100 °C

Operation/Application

Mechanical Resistance	Fluids, Impact, Mechanical Damage
-----------------------	-----------------------------------

Product Availability

Applicable Region	Global
-------------------	--------

Packaging Features

Packaging Method	Stick
------------------	-------

Other

Meets Low Outgassing Requirements	No
Product Source	Czech Republic

Product Compliance

[For compliance documentation, visit the product page on TE.com>](#)

EU RoHS Directive 2011/65/EU	Compliant
EU ELV Directive 2000/53/EC	Compliant
China RoHS 2 Directive MIIT Order No 32, 2016	No Restricted Materials Above Threshold
EU REACH Regulation (EC) No. 1907/2006	Current ECHA Candidate List: JUNE 2023 (235) Candidate List Declared Against: JAN 2020 (205) Does not contain REACH SVHC
Halogen Content	Not Yet Reviewed for halogen content
Solder Process Capability	Not applicable for solder process capability

Product Compliance Disclaimer

This information is provided based on reasonable inquiry of our suppliers and represents our current actual knowledge based on the information they provided. This information is subject to change. The part numbers that TE has identified as EU RoHS compliant have a maximum concentration of 0.1% by weight in homogenous materials for lead, hexavalent chromium, mercury, PBB, PBDE, DBP, BBP, DEHP, DIBP, and 0.01% for cadmium, or qualify for an exemption to these limits as defined in the Annexes of Directive 2011/65/EU (RoHS2). Finished electrical and electronic equipment products will be CE marked as required by Directive 2011/65/EU. Components may not be CE marked. Additionally, the part numbers that TE has identified as EU ELV compliant have a maximum concentration of 0.1% by weight in homogenous materials for lead, hexavalent chromium, and mercury, and 0.01% for cadmium, or qualify for an exemption to these limits as defined in the Annexes of Directive 2000/53/EC (ELV). Regarding the REACH Regulation, the information TE provides on SVHC in articles for this part number is based on the latest European Chemicals Agency (ECHA) 'Guidance on requirements for substances in articles' posted at this URL: <https://echa.europa.eu/guidance-documents/guidance-on-reach>

Compatible Parts



TE Part # 485044-1
RING AMVAR 18-14 IS 8 028LUBZ



TE Part # 1-62306-4
AMVAR SPLC 1500-5000 020TPBR



TE Part # 485079-1
RING AMVAR 18-14 IS 8 028 LUBZ




TE Part # EG1114-000
CV1981-ST-230V1600W-EU



TE Part # 2825683-1
AMVAR SPLC 1500-5000 020TPBR

Also in the Series | RAYCHEM DWTC



Heat Shrink Tubing(10)

Customers Also Bought



TE Part #213841-3
POWERBAND CONT ASSY,SILVER PLT



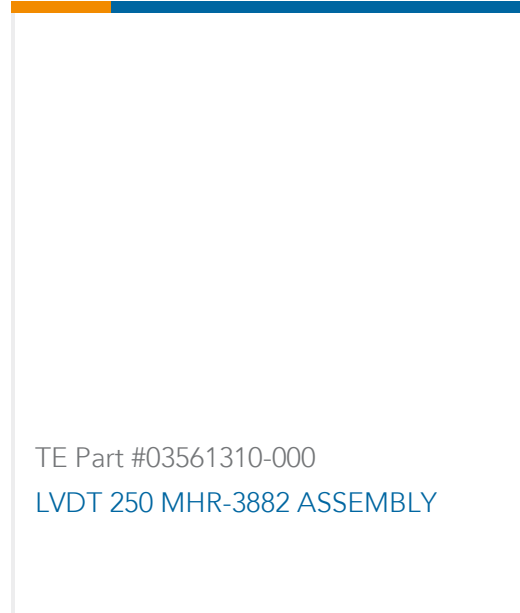
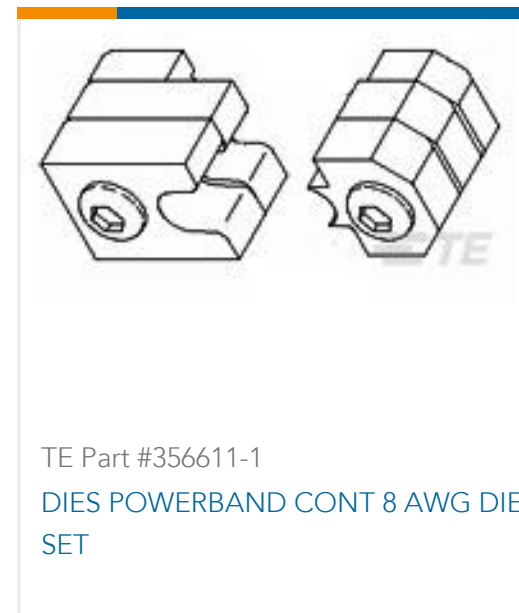
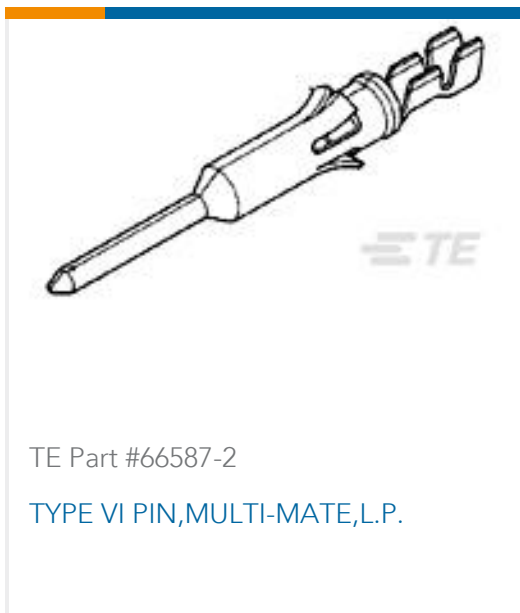
TE Part #1761028-3
50 50SR R/A RCPT ASSY,LEAD FRE



TE Part #69710-1
C-HEAD FRAME W/O DIES



TE Part #66593-4
TYPE VI PIN,MULTI-MATE,L.P.



Documents

Datasheets & Catalog Pages

[Measuring_Single_Wall_Tubing](#)

English

[DWTC Pages from 9-1773447-9](#)

English

[Selecting_Correct_Tubing_1216](#)

English

Product Specifications

[Application Specification](#)

English