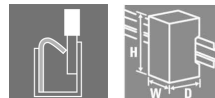


**TERMSERIES**  
**TRP 12VDC 2CO**

**Weidmüller Interface GmbH & Co. KG**  
 Klingenbergstraße 26  
 D-32758 Detmold  
 Germany  
 Fon: +49 5231 14-0  
 Fax: +49 5231 14-292083  
 www.weidmueller.com

**Product image**


Similar to illustration

TERMSERIES relay module, complete modules consisting of

a relay and a base with AC/DC/UC coils, available in different versions:

- With screw and tension-clamp connection
- AgNi contact, optionally with hard gold-plated contacts
- 1 and 2 COs
- Optionally with multiple-voltage input: 24...230 V UC
- With various protective circuits in the input (free-wheel diode, RC element)
- Illuminated ejection lever

**General ordering data**

|            |   |
|------------|---|
| Type       | TRP 12VDC 2CO   |
| Order No.  | <a href="#">2618550000</a>  |
| Version    | TERMSERIES, Relay module, Number of contacts: 2 CO contact AgNi, Rated control voltage: 12 V DC $\pm 20\%$ , Continuous current: 8 A, PUSH IN |
| GTIN (EAN) | 4050118670288   |
| Qty.       | 10 pc(s).   |

Creation date May 5, 2020 9:12:52 PM CEST

Catalogue status 01.05.2020 / We reserve the right to make technical changes.

**TERMSERIES**  
**TRP 12VDC 2CO**

**Weidmüller Interface GmbH & Co. KG**  
 Klingenbergstraße 26  
 D-32758 Detmold  
 Germany  
 Fon: +49 5231 14-0  
 Fax: +49 5231 14-292083  
 www.weidmueller.com

**Technical data****Dimensions and weights**

|            |         |                 |            |
|------------|---------|-----------------|------------|
| Width      | 12.8 mm | Width (inches)  | 0.504 inch |
| Height     | 89.4 mm | Height (inches) | 3.52 inch  |
| Depth      | 87.8 mm | Depth (inches)  | 3.457 inch |
| Net weight | 57 g    |                 |            |

**Temperatures**

|                             |  |                             |                |
|-----------------------------|--|-----------------------------|----------------|
| Humidity                    | 5-95% relative humidity,<br>T <sub>u</sub> = 40°C, without<br>condensation | Operating temperature, max. | 60 °C          |
| Operating temperature, min. | -40 °C   | Storage temperature, max.   | 85 °C          |
| Storage temperature, min.   | -40 °C   | Operating temperature       | -40 °C...60 °C |
| Storage temperature         | -40 °C...85 °C   |                             |                |

**Rated data UL**

|                                    |  |                                    |        |
|------------------------------------|--|------------------------------------|--------|
| Connection cross-section AWG, min. | AWG 26   | Connection cross-section AWG, max. | AWG 14 |
| Type of conductor                  | rigid copper conductor,<br>flexible copper conductor | Pollution severity level           | 2      |
| Altitude                           | ≤ 2000 m, above sea level                            |                                    |        |

**Input**

|                                       |   |   |              |
|---------------------------------------|---|---|--------------|
| Rated control voltage                 | 12 V DC ± 20 %                                      | Rated current DC  | 33 mA        |
| Power rating                          | 400 mW  | Pull-in/drop-out voltage, typ.  | 9 V / 2 V DC |
| Pull-in/drop-out current, typ.        | 24 mA / 5 mA DC                                     | Status indicator  | Green LED    |
| Protective circuit                    | Free-wheeling diode,<br>Reverse polarity protection | Coil voltage of the replacement relay<br>deviating from the rated control voltage | No           |
| Coil voltage of the replacement relay | 12 V DC   |   |              |

**Output**

|   |              |   |   |
|---|--------------|---|---|
| Rated switching voltage                 | 250 V AC     | Max. switching voltage, AC              | 250 V                                   |
| Max. switching voltage, DC              | 250 V        | Continuous current                      | 8 A                                     |
| Inrush current                          | 15 A / 4 s   | AC switching capacity (resistive), max. | 2000 VA                                 |
| DC switching capacity (resistive), max. | 192 W @ 24 V | Switch-on delay                         | ≤ 8 ms                                  |
| Switch-off delay                        | ≤ 12 ms      | Min. switching power                    | 1 mA @ 24 V, 10 mA @ 10 V, 100 mA @ 5 V |
| Max. switching frequency at rated load  | 0.1 Hz       |   |   |

**Contact data**

|              |                     |                         |                                       |
|--------------|---------------------|-------------------------|---------------------------------------|
| Contact type | 2 CO contact (AgNi) | Mechanical service life | 30 x 10 <sup>6</sup> switching cycles |
|--------------|---------------------|-------------------------|---------------------------------------|

**General data**

|                                      |       |             |       |
|--------------------------------------|-------|-------------|-------|
| Rail                                 | TS 35 | Test button | No    |
| Mechanical switch position indicator | No    | Colour      | black |
| UL 94 flammability rating            | V-0   |             |       |

## TERMSERIES TRP 12VDC 2CO

**Weidmüller Interface GmbH & Co. KG**  
 Klingenbergstraße 26  
 D-32758 Detmold  
 Germany  
 Fon: +49 5231 14-0  
 Fax: +49 5231 14-292083  
 www.weidmueller.com

## Technical data

### Insulation coordination

|  |                              |  |                             |
|--|------------------------------|--|-----------------------------|
| Rated voltage                                | 300 V                        | Surge voltage category                         | III                         |
| Pollution severity                           | 2                            | Protection degree                              | IP20                        |
| Dielectric strength, Input/Output            | 1.2 kV <sub>eff</sub> / 5 s  | Creepage and clearance distance input – output | ≥ 5.5 mm                    |
| Dielectric strength of neighbouring contacts | 2.5 kV <sub>eff</sub>        | Dielectric strength of open contact            | 1 kV <sub>eff</sub> / 1 min |
| Dielectric strength to mounting rail         | 4 kV <sub>eff</sub> / 1 Min. | Impulse withstand voltage                      | 6 kV (1.2/50 µs)            |

### Further details of approvals / standards

|                         |  |                         |            |
|-------------------------|--|-------------------------|------------|
| Standards               | EN 50178, EN 55011, EN 61000-6-1, 2, 4 | Certificate No. (DNVGL) | TAA00001E5 |
| Certificate no. (cULus) | E141197                                |                         |            |

### Connection data

|   |                     |   |                      |
|---|---------------------|---|----------------------|
| Wire connection method  | PUSH IN             | Stripping length, rated connection  | 8 mm                 |
| Clamping range, rated connection  | 1.5 mm <sup>2</sup> | Clamping range, min.  | 0.14 mm <sup>2</sup> |
| Clamping range, max.  | 2.5 mm <sup>2</sup> | Wire connection cross section AWG, min.   | AWG 26               |
| Wire connection cross section AWG, max.   | AWG 14              | Wire cross-section, solid, min.   | 0.14 mm <sup>2</sup> |
| Wire cross-section, solid, max.   | 2.5 mm <sup>2</sup> | Wire connection cross-section, finely stranded, min.                                    | 0.14 mm <sup>2</sup> |
| Wire connection cross section, finely stranded, max.                                    | 2.5 mm <sup>2</sup> | Wire cross-section, finely stranded, min. (AWG)   | AWG 26               |
| Wire cross-section, finely stranded, max. (AWG)   | AWG 14              | Wire connection cross-section, finely stranded with wire-end ferrules DIN 46228/4, min. | 0.15 mm <sup>2</sup> |
| Wire connection cross-section, finely stranded with wire-end ferrules DIN 46228/4, max. | 1.5 mm <sup>2</sup> | Conductor cross-section, flexible, AEH (DIN 46228-1), min.                              | 0.15 mm <sup>2</sup> |
| Conductor cross-section, flexible, AEH (DIN 46228-1), max.                              | 1.5 mm <sup>2</sup> | Twin wire-end ferrules, min.  | 0.5 mm <sup>2</sup>  |
| Twin wire-end ferrules, max.  | 1 mm <sup>2</sup>   | Blade size  | 0.4 x 2.0 mm         |

### Classifications

|             |             |            |             |
|-------------|-------------|------------|-------------|
| ETIM 6.0    | EC001437    | ETIM 7.0   | EC001437    |
| eClass 9.0  | 27-37-16-01 | eClass 9.1 | 27-37-16-01 |
| eClass 10.0 | 27-37-16-01 |            |             |

### Approvals

Approvals



### Downloads

|   |   |
|---|---|
| Approval/Certificate/Document of Conformity | <a href="#">EU Konformitätserklärung / EU Declaration of Conformity</a> |
| Engineering Data                            | <a href="#">STEP</a>  |
| User Documentation                          | <a href="#">Beipackzettel / Package Insert – multilingual</a>           |

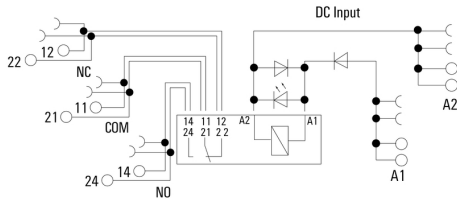
Creation date May 5, 2020 9:12:52 PM CEST

**TERMSERIES  
TRP 12VDC 2CO**

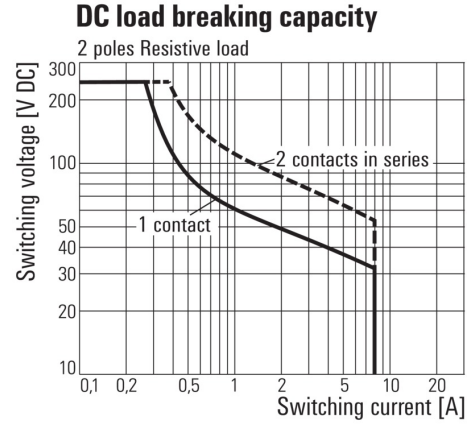
**Weidmüller Interface GmbH & Co. KG**  
 Klingenbergstraße 26  
 D-32758 Detmold  
 Germany  
 Fon: +49 5231 14-0  
 Fax: +49 5231 14-292083  
 www.weidmueller.com

**Drawings**

**Wiring diagram**

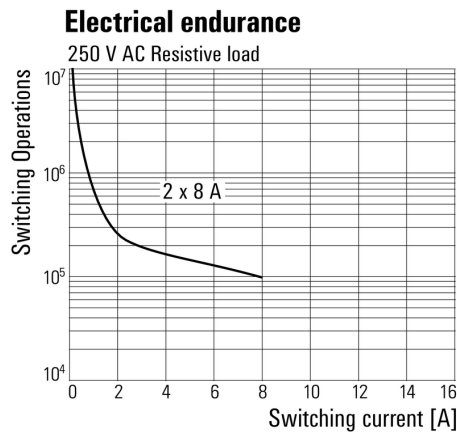


**Graph**



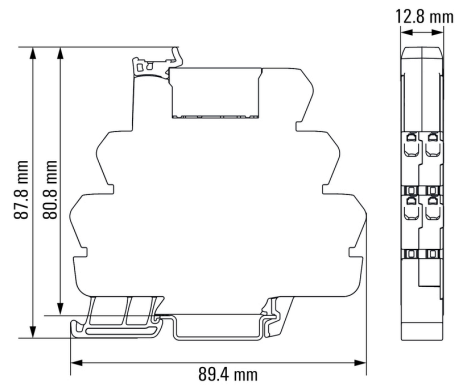
DC load limit curve

**Graph**



Electrical service life 230 V AC resistive load  
 230 V AC resistive load

**Dimensional drawing**



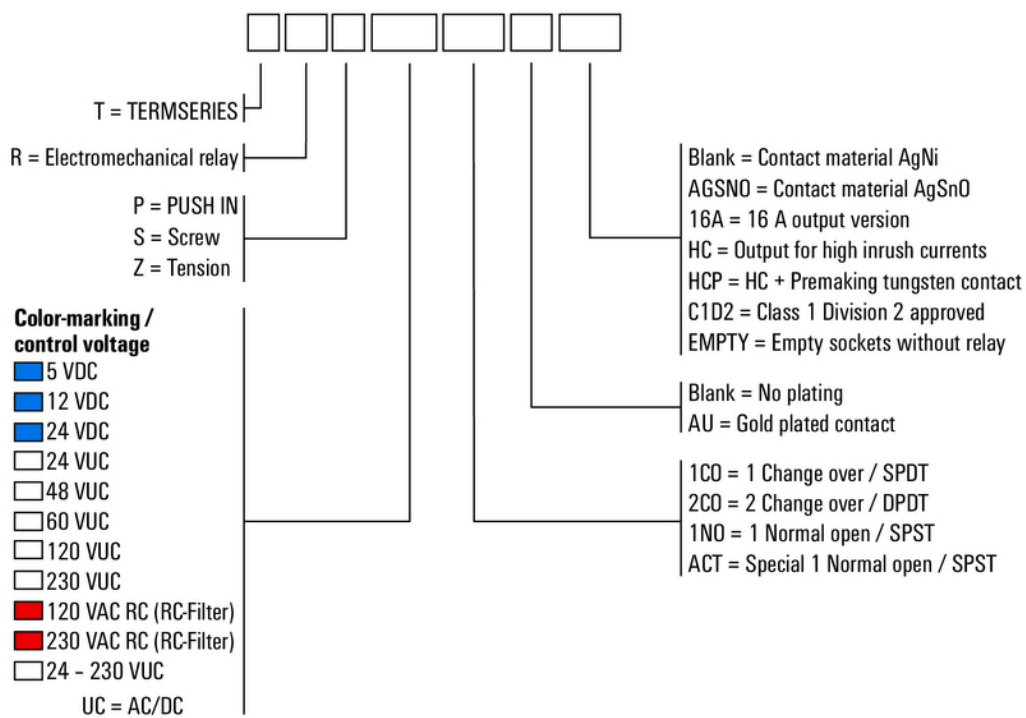
**TERMSERIES  
TRP 12VDC 2CO**

**Weidmüller Interface GmbH & Co. KG**  
 Klingenbergstraße 26  
 D-32758 Detmold  
 Germany  
 Fon: +49 5231 14-0  
 Fax: +49 5231 14-292083  
 www.weidmueller.com

Drawings

Miscellaneous

**Type code TERMSERIES electromechanical relay versions**



Type codes