

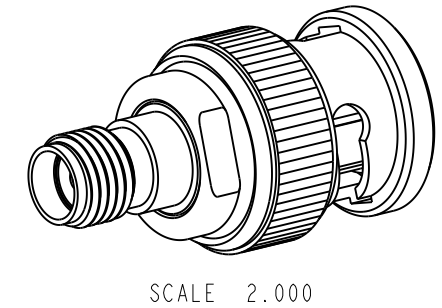
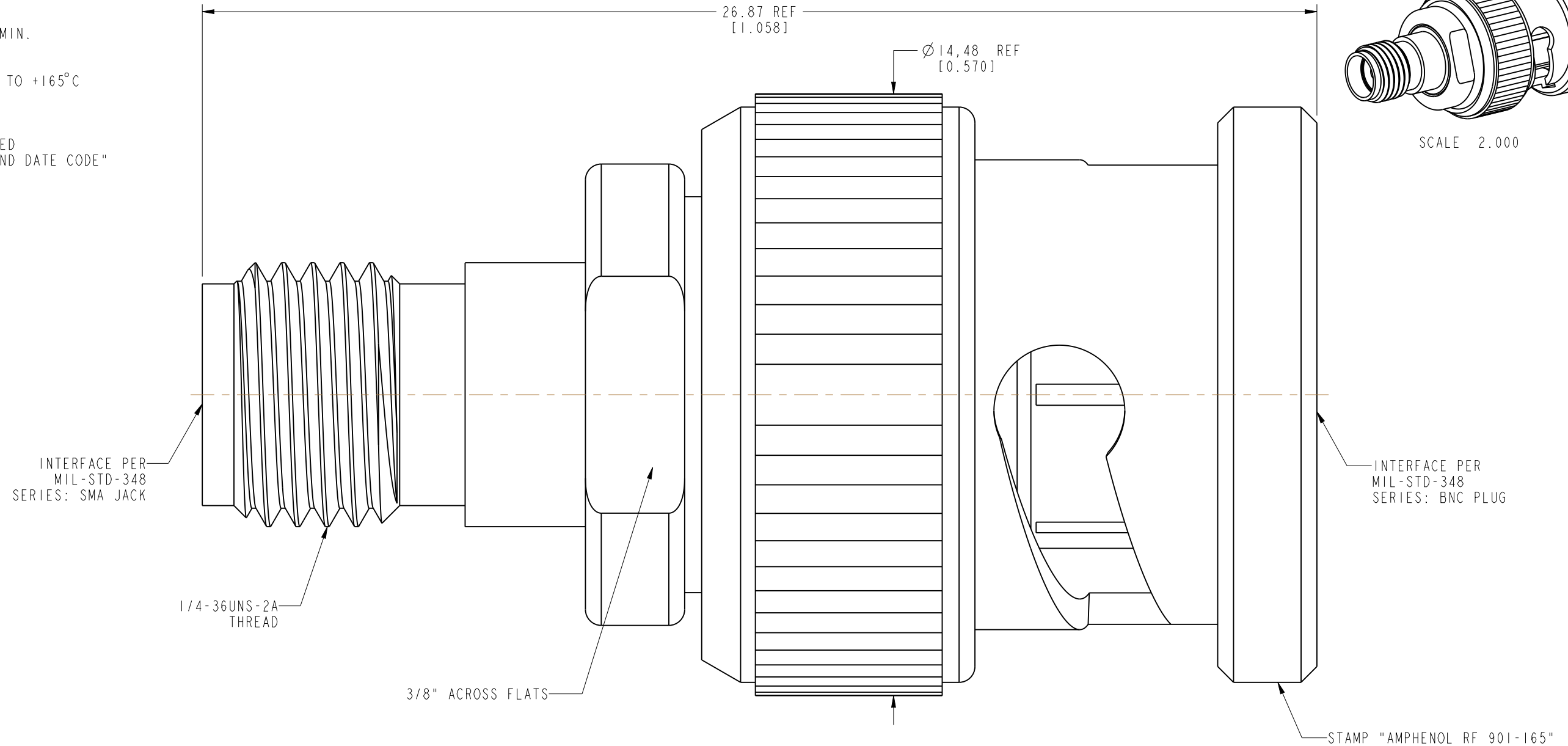
NOTES:

1. MATERIALS AND FINISHES:
 BODY ,SHELL, WASHER & RETAINING RING - BRASS, NICKEL PLATING
 BODY- REAR & CONTACT - BeCu, GOLD PLATING
 CONTACT - BRASS, GOLD PLATING
 SPRING - BeCu, NICKEL PLATING
 GASKET - SILICONE RUBBER, RED
 INSULATORS - PTFE, NATURAL
2. ELECTRICAL:
 A. IMPEDANCE: 50 OHM
 B. DIELECTRIC WITHSTANDING VOLTAGE: 1000 VRMS MIN.
3. MECHANICAL:
 A. DURABILITY: 500 CYCLES MIN.
4. ENVIRONMENTAL:
 A. TEMPERATURE RANGE: -65°C TO +165°C
5. PACKAGING:
 A. QUANTITY: SINGLE PACK
 B. MARKING: BAG TO BE MARKED
 "AMPHENOL RF, 901-165, AND DATE CODE"

THIRD ANGLE PROJ.

REVISIONS

REV	DESCRIPTION	DATE	ECO	APPR
A	RELEASE TO MFG.	20-Sep-06	18325	BRUCE
K	NOTES WAS CHANGED: ADDED 'BNC BODY PLUG-BRASS'; 'SMA BODY JACK-BeCu, GOLD PLATING' WAS 'BODY- BERYLLIUM COPPER, NICKEL PLATING'; ADDED DIELECTRIC WITHSTANDING VOLTAGE; ADDED ENVIRONMENTAL \RD-DM110815011	23-Aug-11	48720	IVAN
L	STAMP AMPHENOL RF 901-165 WAS AMPHENOL 901-165	2/19/16	50996	VK



CUSTOMER OUTLINE DRAWING
 ALL OTHER SHEETS ARE FOR INTERNAL USE ONLY

UNLESS OTHERWISE SPECIFIED, DIMENSIONS ARE IN METRIC AND TOLERANCES ARE: <0.5mm ±0.05mm 0.5 - 6mm ±0.1mm 6 - 30mm ±0.2mm 30 - 120mm ±0.3mm ANGLES ±1° NOTICE - These drawings, specifications, or other data (1) are, and remain the property of Amphenol corp. (2) must be returned upon request; and (3) are confidential and not to be disclosed to any person other than those to whom they are given by Amphenol Corp. the furnishing of these drawings, specifications, or other data by Amphenol Corp., or to any other person to anyone for any purpose is not to be regarded by implication or otherwise in any manner licensing, granting rights to permitting such holder or any other person to manufacture, use or sell any product, process or design, patented or otherwise, that may in any way be related to or disclosed by said drawings, specifications, or other data.	MATERIAL SEE NOTES	DRAWN I.XU	DATE 22-Aug-11	TITLE SMA STR JACK TO BNC PLUG ADAPTER		Amphenol RF	
	REFERENCE EAR # & EPA 802202-51	ENGINEER H. PARIKH	DATE 24-May-11			www.amphenolrf.com	
	CONFIGURATION LEVEL: In Work	APPROVED H. PARIKH	DATE 24-May-11	SCALE: 9.0:1.0	SHEET 2 OF 2	DRAWING NO.901-165	
	FINISH	CAD FILE	DWG SIZE B	REV L	ITEM NO.901-165		PART NO.901-165