



OBQ24SC0512I



3 Watt DC/DC Power Supply

FEATURES

- Wide input 4:1
- Low noise
- Tight regulation $\pm 0.5\%$ MAX
- High Isolation Voltage

*Image for marketing purposes only-unit may differ



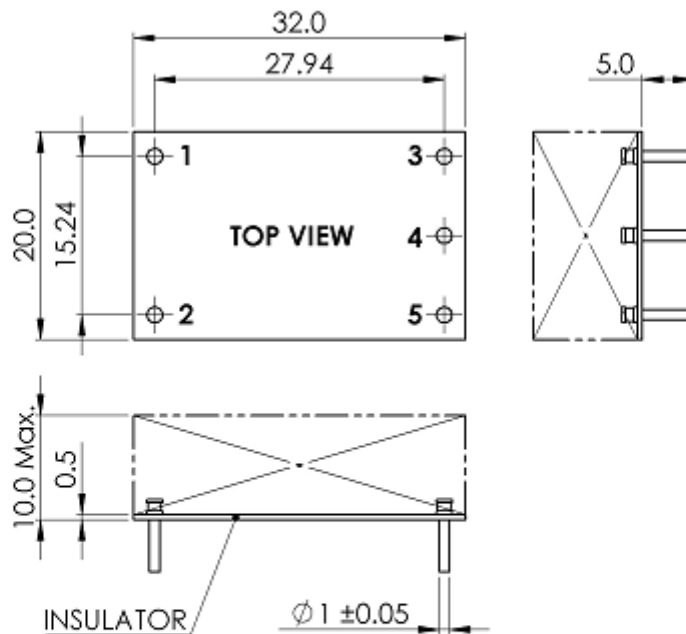
		UNIT	OBQ24SC0512	
INPUT	Nom Voltage (Range)	V	12VDC 4.5~16 Vdc	
	Current Typ.	mA	30mA Typ At no load	
	Start-up Time	ms	10 ms	
		UNIT	OBQ24SC0512	
OUTPUT	Nominal Voltage	VDC	24 VDC	
	OUTPUT VDC ACCURACY	%	2%	@23.52~24.48Vdc @Vin=4.5~1
	Current	mA	130	@12VDC
	Total Pwr	W	3	
	Efficiency	%	85 TYP	@ Vin=12Vdc
	Line Regulation	%	$\pm 0.5\%$ MAX	At LL TO HL, Full Load
	Load Regulation	%	$\pm 0.5\%$ MAX	At 25%FL TO 100%FL
	Startup Time	ms	10 ms	
	Ripple Noise	mVp-p	100mVp-p MAX	@20MHz BANDWIDTH
	Temp Coefficient		0.03%/°C MAX	
	Short circuit protect	Type	Continuous/ Auto-recovery	
	Cooling		Convection	





ISOLATION	Voltage	1500Vdc for 1 minute	
	Resistance	Min. 100 MΩ @ 500 Vdc	
	Operating temp	-20°C ~ +71°C	
Environment	Storage	-20°C ~ +85°C	
	Vibration	Mil-STD 202G	
	Humidity	90 %	
Dimension	WxL/weight	mm/g	32x20/4.5

DIMENSIONS AND PINOUT



Unit : mm
Tolerance : XX.X ±0.5 , XX.XX ±0.25

PIN Assignment

PIN	1	2	3	4	5
FUNCTION	+Vin	-Vin	+Vout	Trim	-Vout

