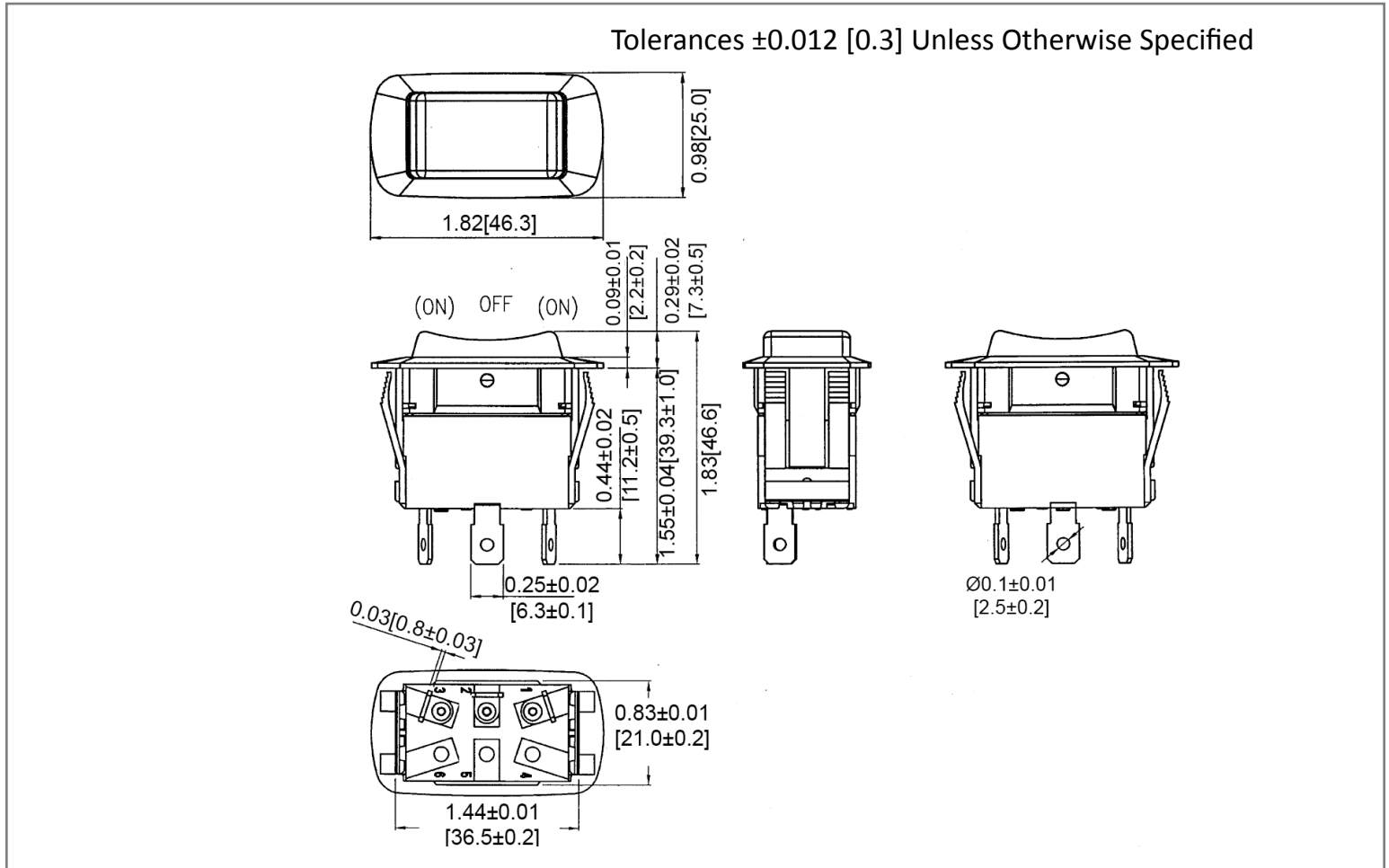
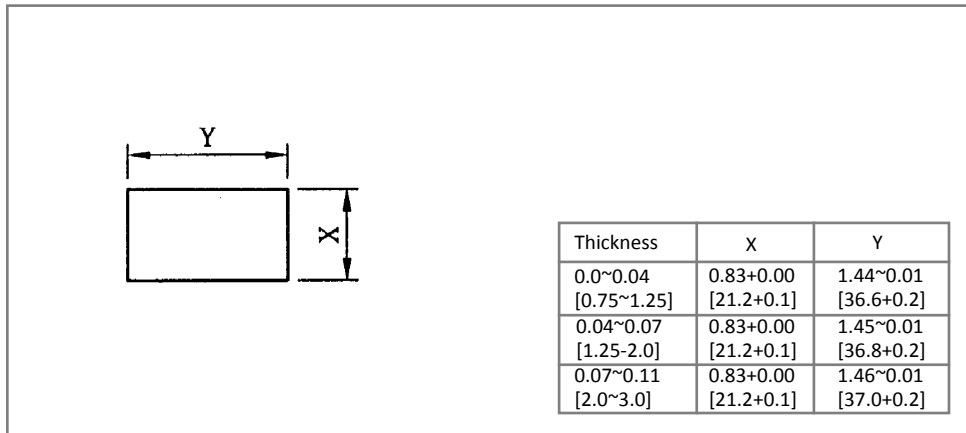


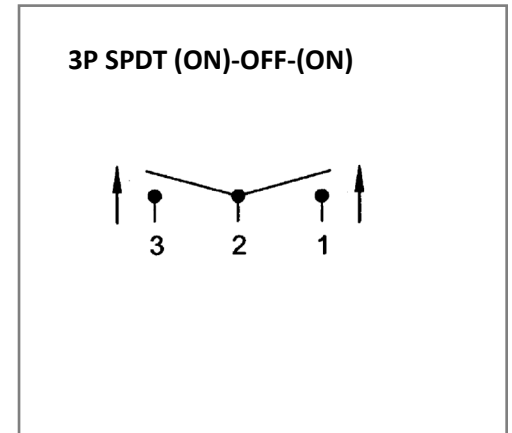
Mechanical Dimensions: Inches [mm]



Mounting Hole



Circuit Diagram



Electrical Specifications

DC Rating	21A 14V DC, 10A 28V DC	
AC Rating	"16A 125V AC, 10A 277V AC, 3/4HP 125-277V AC, 20A 125V AC, 10A 250V AC16(4)A 125/250V AC"	
Contact Resistance	50m ohm Max	
Insulation Resistance	DC 500V 100M ohm Min	
Dielectric Strength	AC 1500V 1 minute	

Material Specifications

Frame	Black, Nylon 66
Actuator	Black, Nylon 66+33%GF
Ignition Protection	IP56
Operation Temperature	-20 C~85 C

Rev	Date of issue	Revision Notes	Designed	Approved
A	01-15-2021	Initial Drawing	RC	OF