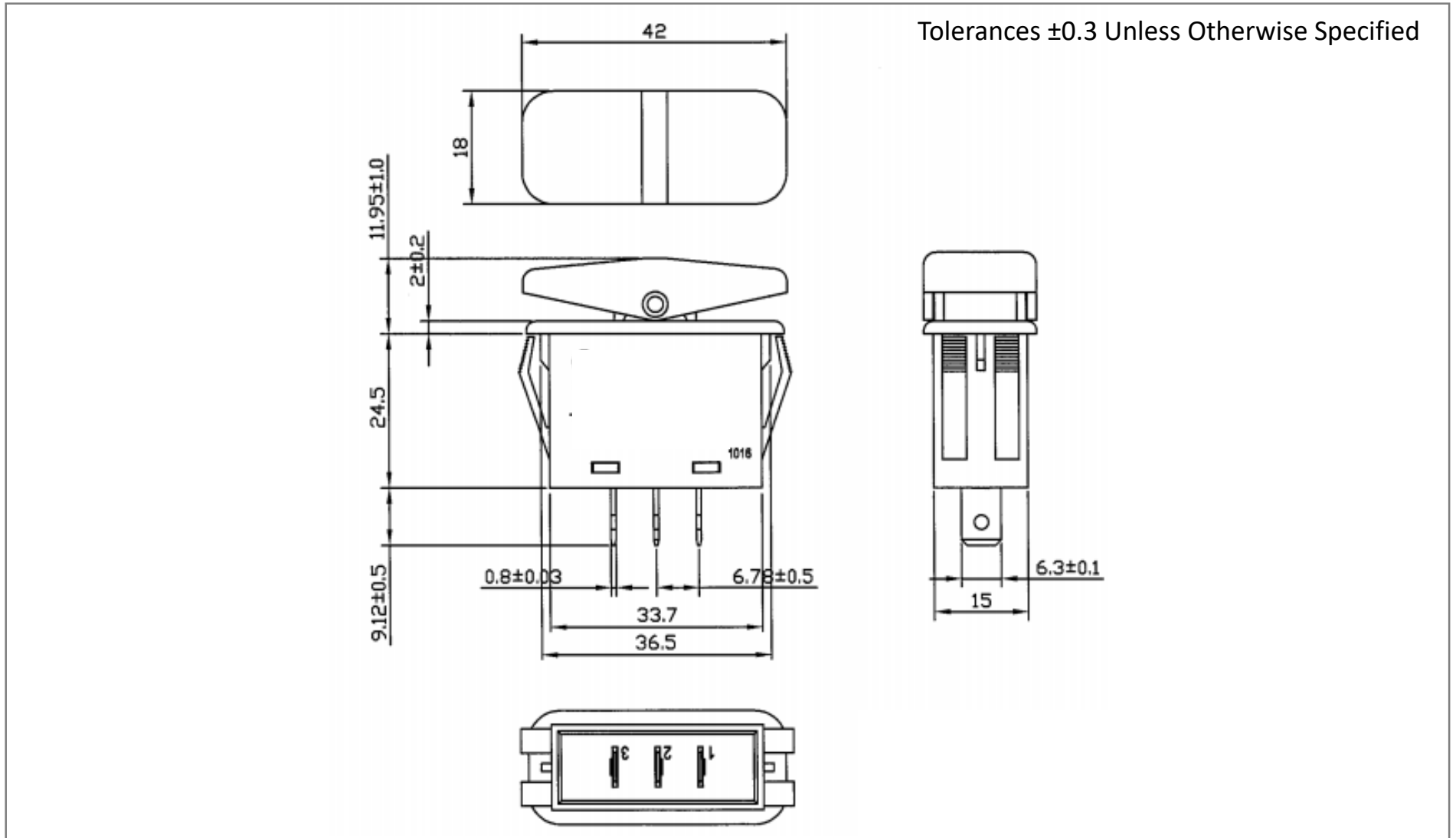
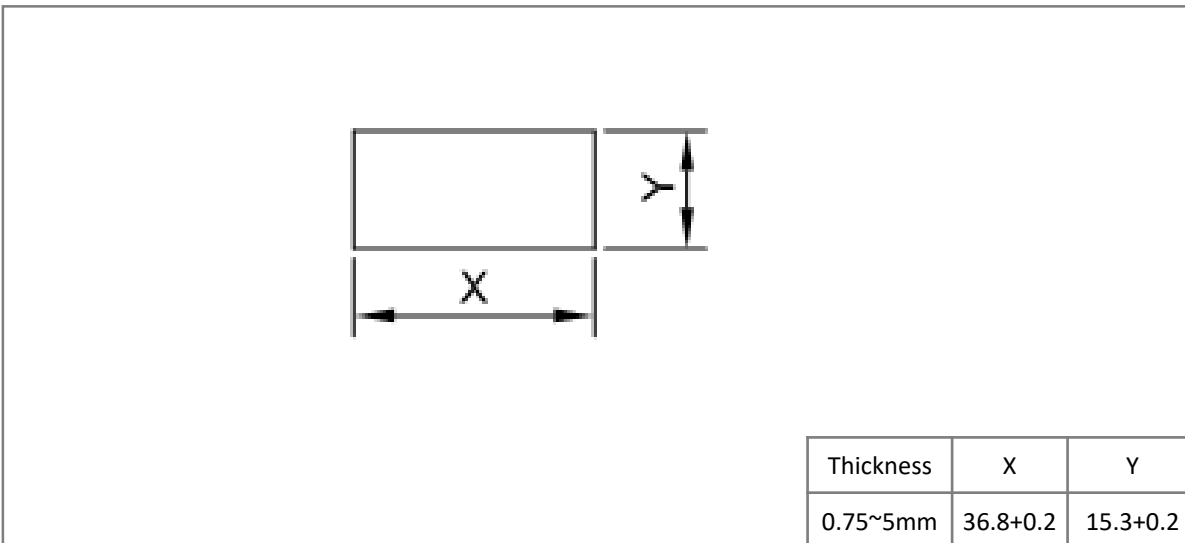


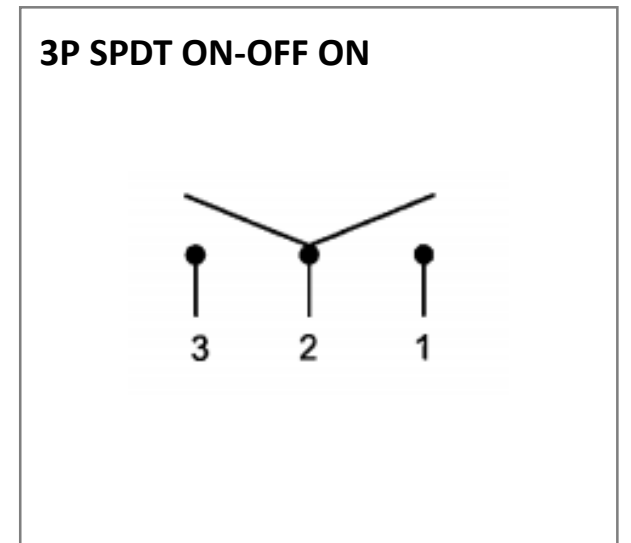
Mechanical Dimensions (mm)



Mounting Hole



Circuit Diagram



Electrical Specifications

<b>DC Rating</b>	20A 14V DC, 10A 24V DC
<b>AC Rating</b>	20A 125V AC 1/3HP, 10A 250V AC 3/4HP 10(4)A 250V AC"
<b>Contact Resistance</b>	50m ohm Max.
<b>Insulation Resistance</b>	DC 500V 100M ohm Min.
<b>Dielectric Strength</b>	AC 1500V 1 minute

Material Specifications

<b>Frame</b>	Black, Nylon 66
<b>Actuator</b>	Black, Nylon 66+33%GF
<b>Ignition Protection</b>	IP56
<b>Operation Temperature</b>	-20°C~85°C