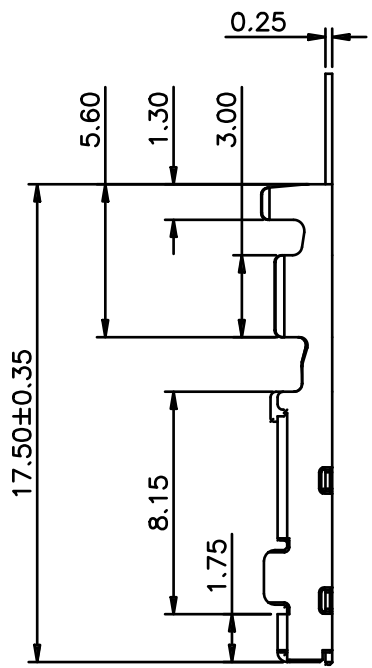
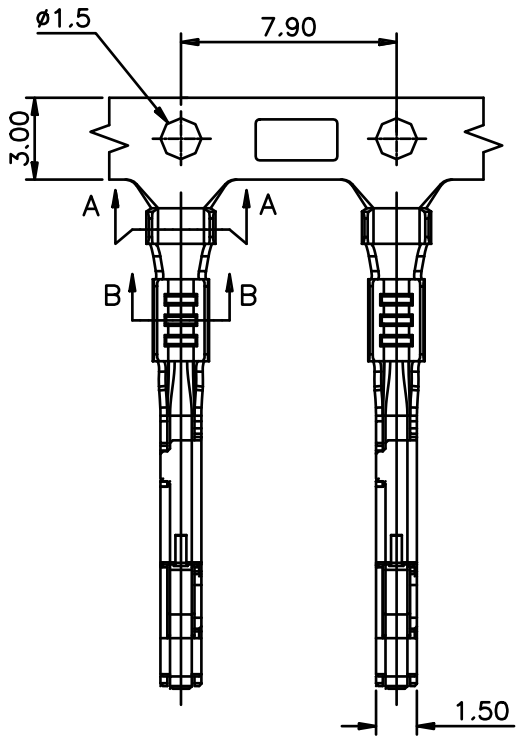


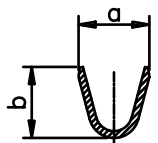
REV.	ECN NO.	LOCATION	DESCRIPTION	DATE	DESIGN
1			INITIAL RELEASE	2023.03.01	Yy_D

- NOTES:
- MATERIAL:
 - HIGH CONDUCTIVITY COPPER
 - FINISH:
 - CONTACT: TIN 40~120u"
 - ELECTRICAL SPECIFICATION:
 - VOLTAGE RATING: 50V MAX. AC/DC.
 - CURRENT RATING: 3A MAX. AC/DC.
 - WITHSTANDING VOLTAGE: 1000V AC/MINUTE.
 - TEMPERATURE RANGE: -40°C~+125°C
 - INSULATION RESISTANCE: 1000MΩ.
 - CONTACT RESISTANCE: 5MΩ MAX.AFTER ENVIRONMENT TESTING:<10MΩ

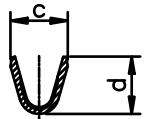


570CBG-036R**0**R**

- CUSTOMER CODE
- T: TRAY
 - R: REEL
- APPEARANCE TYPE:
- 1: ORDINARY 2: HIGH FEET
 - 3: LOW FEET
- AWG:
- 1: AWG#18 2: AWG#20
 - 3: AWG#24~22
- SPECIAL NO.
- 1: WITH LOGO
 - 2: WITHOUT LOGO
- R:RoHS
 - H:HALOGEN-FREE
 - ♀ FEMALE TERMINAL


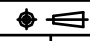


Section A-A
Scale 1:1

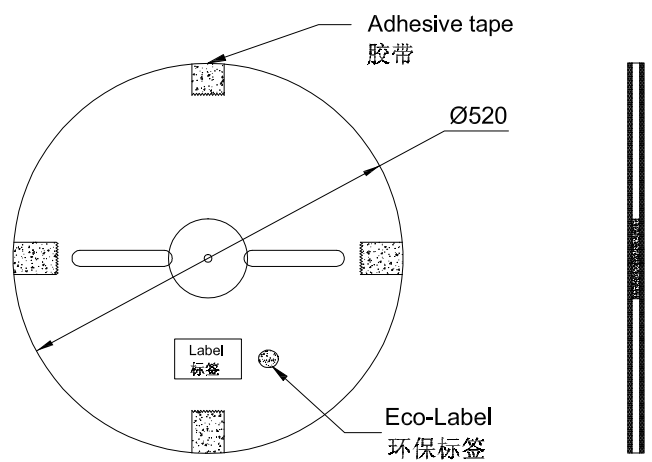


Section B-B
Scale 1:1

High conductivity copper	AWG#18 (0.85mm ²)	1.80mm(Max)	2.70	2.90	2.55	3.00
	AWG#20 (0.5~0.75mm ²)	1.60~1.80mm	2.70	2.70	2.50	2.45
	AWG#24~22 (0.22~0.35mm ²)	1.20~1.60mm	2.60	2.60	2.10	2.10
Material	Wire Size	Insulation O.D	DIM a	DIM b	DIM c	DIM d

DIM		TOL		 DEREN SHENZHEN DEREN ELECTRONIC CO., LTD	CUSTOMER DRAWING		DATE		TITLE: WAFER FEMALE TERMINAL 2.20MM			
x	±0.35	x	±2'		DRAW NO.		DESIGN:	Yy_D	2023.03.14	P/N:SEE TABLE		
.x	±0.30				***		CHECK:			SHEET:	1/2	
.xx	±0.25				REV.	1	APPROVAL:			SCALE:	1:1	UNIT: mm

A

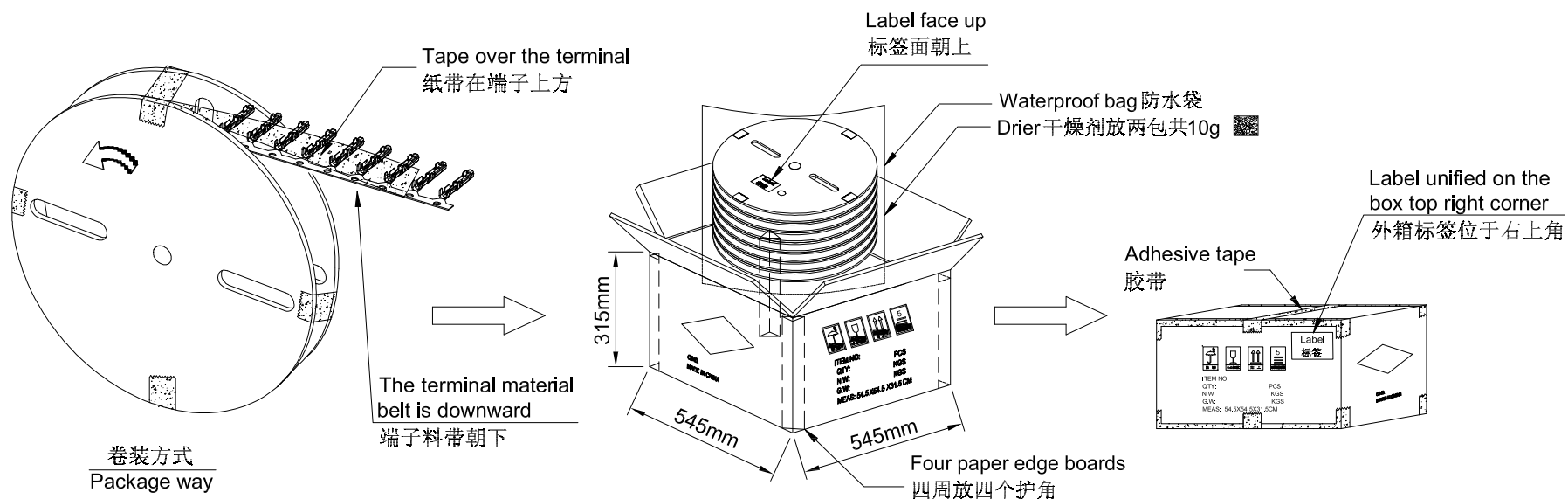


Note 注解:

- Quantity 数量: 5K PCS/REEL 一卷5K/PCS ; 8 REEL/BOX 一箱8卷 ; 40K PCS/BOX 一箱40K/PCS
每盘和外箱都必须有标签及环保标签分别标示
- Each reel and outer box must be labeled and Eco-Label Respectively labeled
每盘和外箱都必须有标签及环保标签分别标示
- Terminal winding direction as shown 端子缠绕方向如左图所示
- There shall be no dirt such as deformation phenomenon, Mantissa box fillers must be used
每箱不可有脏污,变形现象,尾数箱必须用填充物
- Carton material : K=K, Carton thickness : 6~7mm 纸箱材质:K=K, 纸箱厚度:6~7mm
- The paper tape shall be white paper tape with adhesive film and moisture proof
纸带需使用带胶膜防潮白色纸带
- One waterproof bag, two packets of desiccant 10g and four triangle guard plates should be placed in each carton
每箱里面要放一个防水袋和两包干燥剂10g及四个三角护板
- Up and down "工" type sealing form
上下"工"字型封箱形式
- Storage conditions: Temperature 10~30 °C; Humidity 20%~65%RH
存储条件: 温度10~30 °C; 湿度20%~65%RH

B

C



D

E

DIM	TOL	DIM	TOL
x.		x.	
.x			
.xx			



DEREN			
SHENZHEN DEREN ELECTRONIC CO., LTD			
CUSTOMER DRAWING		DATE	TITLE: WAFER FEMALE TERMINAL 2.20MM
DESIGN:	Yy_D	2023.03.14	P/N: SEE TABLE
CHECK:			SHEET: 2/2
REV.	1	APPROVAL:	SCALE: N/A UNIT: mm