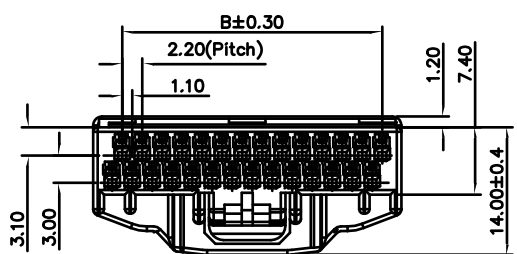
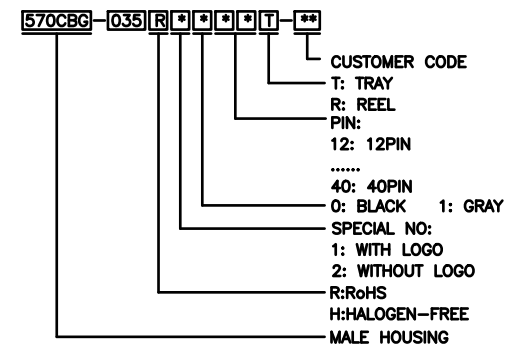
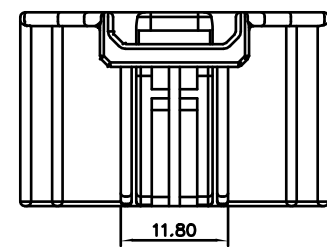
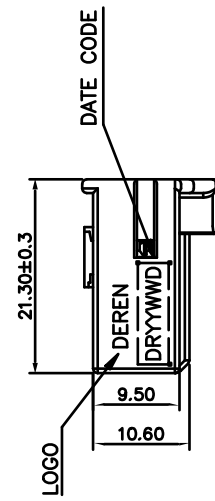
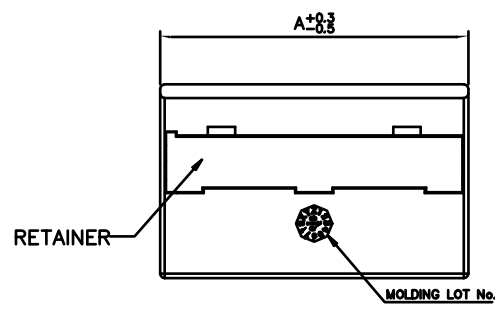
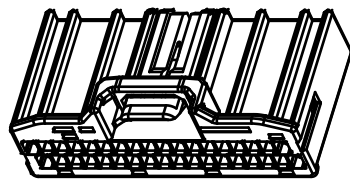
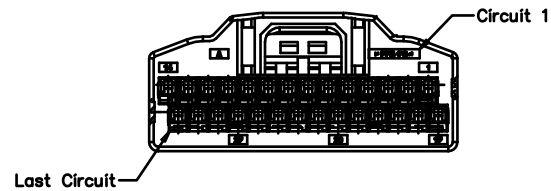


| REV. | ECN NO. | LOCATION | DESCRIPTION | DATE | DESIGN |
|------|---------|----------|-----------------|------------|--------|
| 1 | | | INITIAL RELEASE | 2023.03.01 | Yy_D |

NOTES:
 PRODUCT MEETS CONTROLLED SUBSTANCES SPEC. ROHS 2.0
 1. MATERIAL:
 1.1 HOUSING: PPE+PS, UL94V-0; COLOR: SEE TABLE.
 1.2 CONTACT: BRASS.
 2. FINISH:
 2.1 CONTACT: 100u"MIN. TIN PLATING OVERALL.
 50u". NICKEL UNDERPLATING OVERALL.
 3. ELECTRICAL SPECIFICATION:
 3.1 VOLTAGE RATING: 50V MAX. AC/DC.
 3.2 CURRENT RATING: 3A MAX. AC/DC.
 3.3 WITHSTANDING VOLTAGE: 1000V AC/MINUTE.
 3.4 TEMPERATURE RANGE: -40°C~+125°C
 3.5 INSULATION RESISTANCE: 1000MΩ.
 3.6 CONTACT RESISTANCE: <5MΩ MAX.AFTER ENVIRONMENT TESTING:<10MΩ

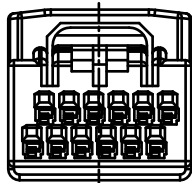


| Poles | A | B |
|-------|-------|-------|
| 2*06 | 16.30 | 11.00 |
| 2*08 | 20.70 | 15.40 |
| 2*10 | 25.10 | 19.80 |
| 2*12 | 29.50 | 24.20 |
| 2*14 | 33.90 | 28.60 |
| 2*16 | 38.30 | 33.00 |
| 2*18 | 42.70 | 37.40 |
| 2*20 | 47.10 | 41.80 |

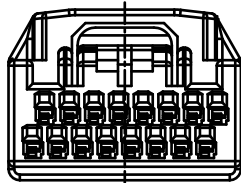
| DIM | TOL | DIM | TOL |
|-----|-------|-----|-----|
| x | ±0.35 | x | ±2' |
| .x | ±0.30 | | |
| .xx | ±0.25 | | |

DEREN
 SHENZHEN DEREN ELECTRONIC CO., LTD

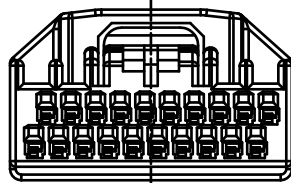
| | | | | | | |
|----------|------------------|--------------|------------|---------------------------------|----------|--|
| DRAW NO. | CUSTOMER DRAWING | | DATE | TITLE: WAFER MALE HOUSING 21.3H | | |
| | *** | DESIGN: Yy_D | 2023.03.14 | P/N: SEE TABLE | | |
| REV. 1 | CHECK: | APPROVAL: | | SHEET: 1/3 | | |
| | | | | SCALE: 1:1 | UNIT: mm | |



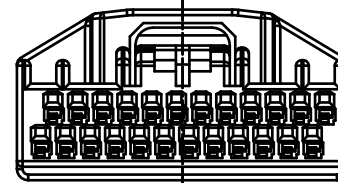
2*06PIN



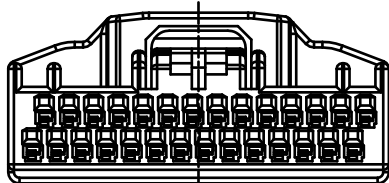
2*08PIN



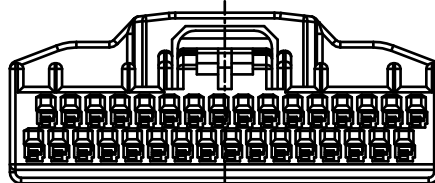
2*10PIN



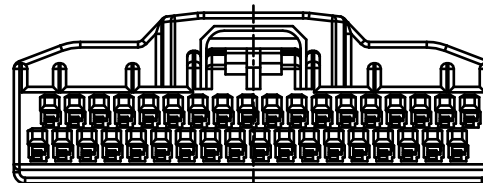
2*12PIN



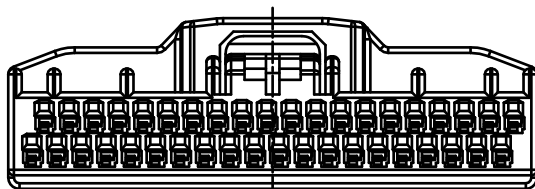
2*14PIN



2*16PIN





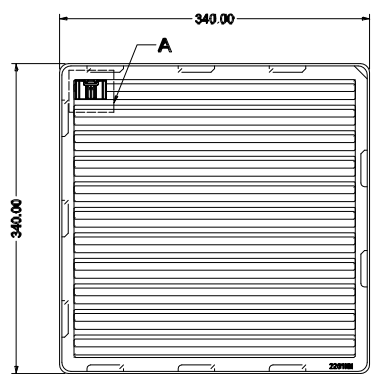
2*18PIN



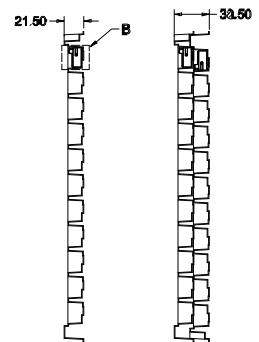
2*20PIN

| DIM | TOL | DIM | TOL |
|-----|-------|-----|-----|
| x | ±0.35 | x | ±2° |
| .x | ±0.30 | | |
| .xx | ±0.25 | | |

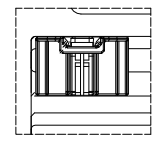
| | | | | |
|---|--|--------------|---------------------|--|
|  | DEREN SHENZHEN DEREN ELECTRONIC CO., LTD | | | |
| | CUSTOMER DRAWING | | DATE | TITLE: WAFER MALE HOUSING 21.3H |
| | DRAW NO. | DESIGN: yy_D | 2023.03.14 | P/N:SEE TABLE |
| | REV. 1 | CHECK: | | SHEET: 2/3  |
| APPROVAL: | | | SCALE: 1:1 UNIT: mm | |



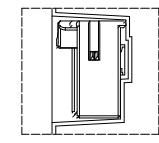
步骤:1



步骤:2

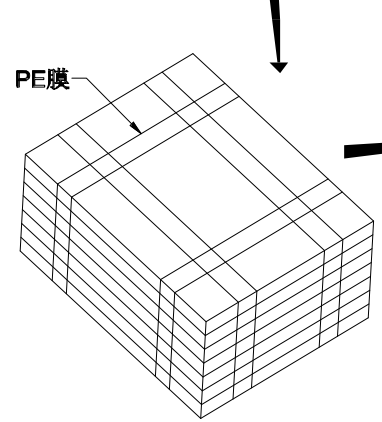


局部放大图A
比例3:1

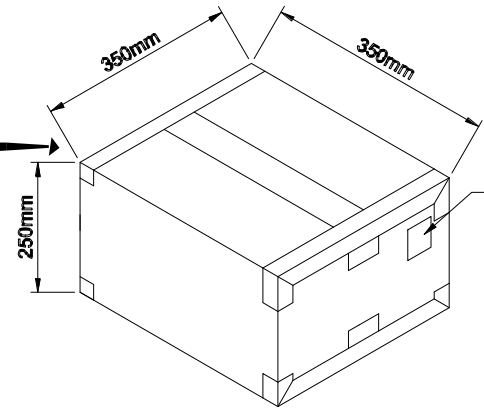


局部放大图B
比例5:1

| Pin位 | 盘/Pcs | 箱/盘 | 箱/Pcs |
|------|-------|-----|-------|
| 2*06 | 198 | 12 | 2376 |
| 2*08 | 154 | 12 | 1848 |
| 2*10 | 132 | 12 | 1584 |
| 2*12 | 110 | 12 | 1320 |
| 2*14 | 99 | 12 | 1188 |
| 2*16 | 88 | 12 | 1056 |
| 2*18 | 77 | 12 | 924 |
| 2*20 | 66 | 12 | 792 |



步骤:2



步骤:3

包装说明:

步骤1: 将检验好的良品整齐摆放入吸塑盘。
吸塑盘规格: 340*340*20.7mm

吸塑盘材质: 透明PET;

步骤2: 在重叠吸塑盘时, 上下层吸塑盘方向需错开摆放, 12盘叠起来为1扎, 最顶层再放1PCS空吸塑盘当上盖用, 然后用PE膜扎住。

步骤3: 一纸箱里放1扎, 共12盘, 然后用透明胶带封箱, 贴上外箱标签。

纸箱规格: 350*350*250mm

纸箱材质: K=K; 纸箱厚度: 6~7mm

| DIM | TOL | DIM | TOL |
|-----|-----|-----|-----|
| x. | / | x. | / |
| .x | | | |
| .xx | | | |



| | | | |
|------------------------------------|--|----------------|--|
| DEREN | | | |
| SHENZHEN DEREN ELECTRONIC CO., LTD | | | |
| CUSTOMER DRAWING | | DATE | |
| DESIGN: Yy_D | | 2023.03.14 | |
| DRAW NO. *** | | P/N: SEE TABLE | |
| CHECK: | | SHEET: 3/3 | |
| APPROVAL: | | SCALE: N/A | |
| REV: 1 | | UNIT: mm | |

1 2 3 4 5 6 7 8

A

B

C

D

E

1 2 3 4 5 6 7 8