

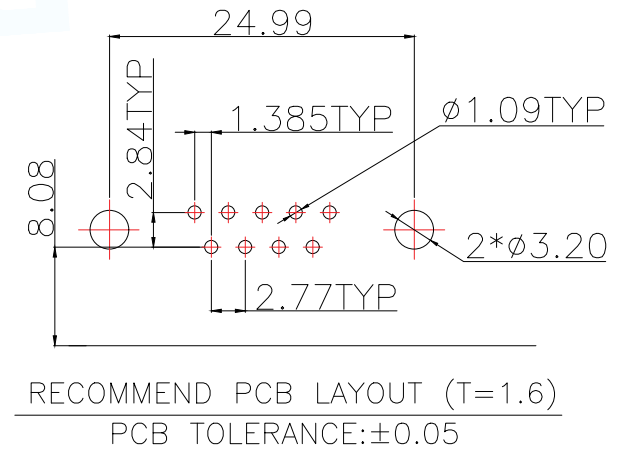
-, MATERIAL:

1. Insulator: PBT+30% Glass Fiber
2. Contact: Brass
3. Contact Plated: Gold Flash over Tin Or Gold Plated Or Tin Plated
4. Shell: Steel, Nickel Plated

≡, SPECIFICATION:

1. Current Rating: 3 AMPS
2. Insulation Resistance: 100MΩ MIN. At 500VDC
3. Dielectric Strength: 500V for One minute
4. Operation Temperature: -55° C~+105° C.

*【胶芯颜色、防火要求、环保要求及电镀规格 依据客户实际订单要求为准】



MANUFACTURE DWG		 东莞市讯普电子科技有限公司 DongGuan XunPu Electronics Co.,Ltd	
UNLESS OTHERWISE SPECIFIED TOLERANCES		TITLE: DR9M双磁	
		PAR	D-SUB-DR-9PCG-BB
DECIMALS:	ANGLES:		DWN
X.X±0.30	X.*±5°		CHKD
X.XX±0.25	X.*±2°		APVD
X.XXX±0.15	X.XX'±1°		SCALE N:A
CUSTOMER COPY		SIZE:A4	SHEET:1F1
			REV:A