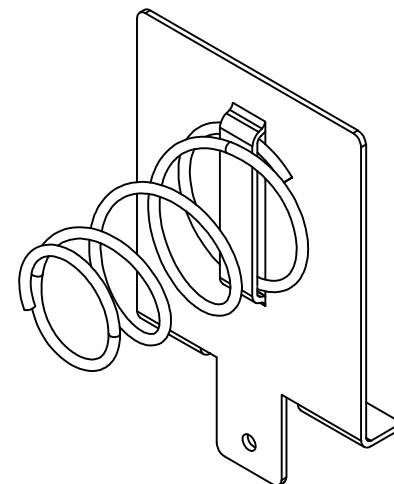
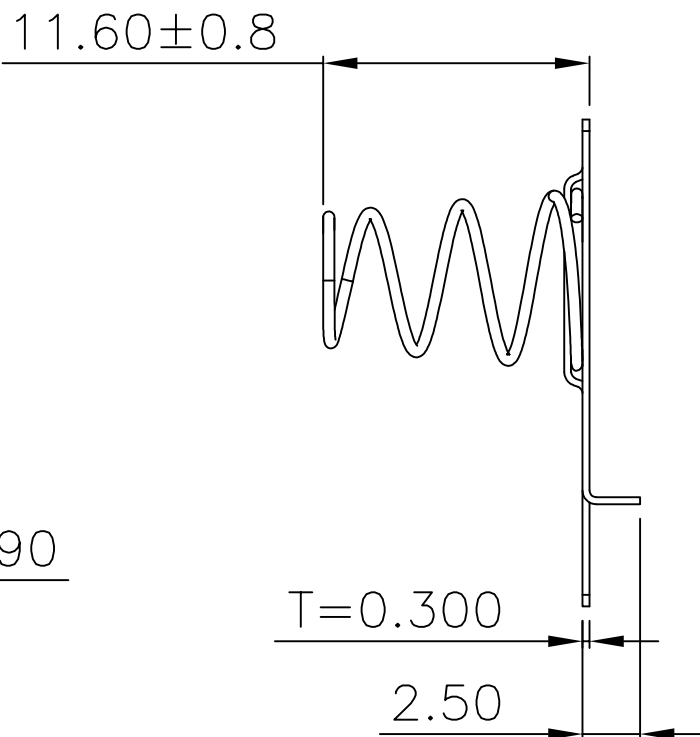
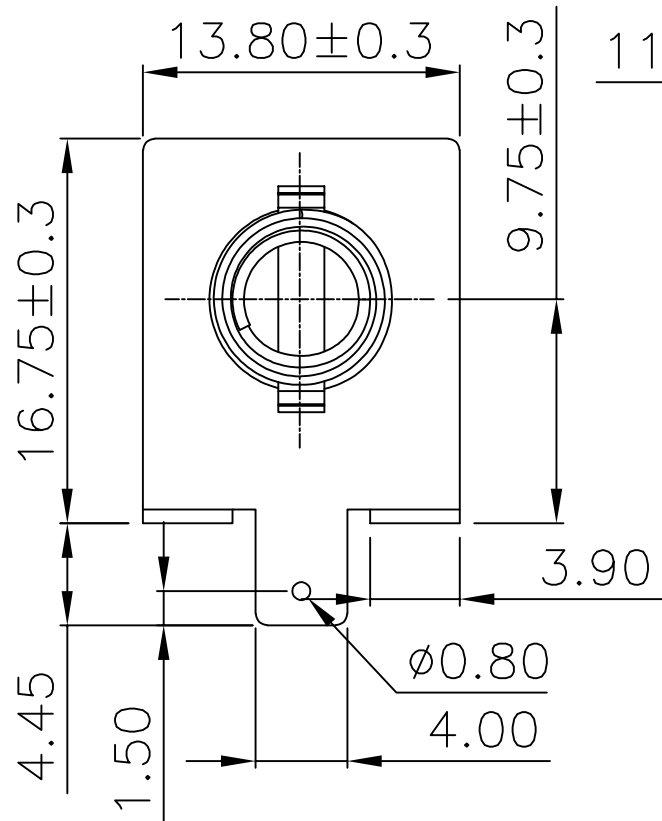




| | | | |
|------|---------|---------|------|
| REV. | ECN NO. | REVISED | DATE |
| | | | |



工程
部
2023-10-10
H. WANG

技术要求:

- 1、截剪断面毛刺高度 $\leq 0.03\text{mm}$;
- 2、部件要求平整,无变形、裂纹、损伤等外观缺陷;

| | | | |
|--|---------------------------------|---|-----------------|
| UNLESS OTHERWISE SPECIFIED TOLERANCES | | MYOUNG 美用 www.meiyangdz.com | |
| DECIMALS: X :±0.30 X.X :±0.25 X.XX :±0.20 X.XXX :±0.10 | ANGLES: X :±1° X.X :±0.5° | DSND YangFeng | DATE 2023-10-10 |
| | | CHKD WangHeng | DATE 2023-10-10 |
| | | APVD XueShunyong | DATE 2023-10-10 |
| WEIGHT: | | SCALE: 1:1 | SIZE: A4 |
| SHEET 1 OF 1 | | VIEW: | |
| | | UNIT: mm | REV.: A/0 |
| | | OBJECT: MY | |
| | | TITLE: 18650电池弹片负极05 Ni | |
| | | PART NO.: MY-18650-05-J | |
| | | DRAW NO.:WD-CP-0346 | |

| | | | | |
|-----|-------------|------|---------------------------|-----------------|
| 1 | TERMINAL(-) | 1 | PHOSPHOR BRONZE, T=0.30mm | Ni-Plating |
| NO. | PART NAME | Q'TY | MATERIAL | PLATING & COLOR |