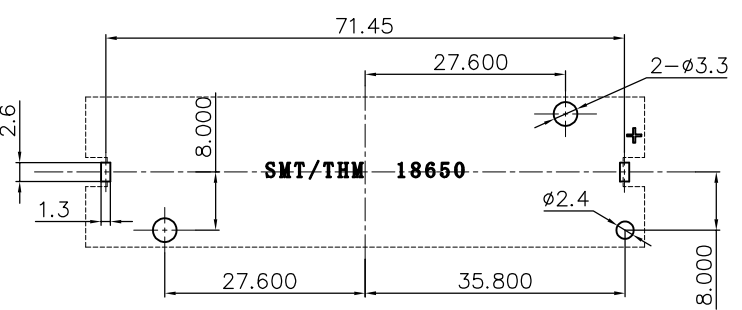
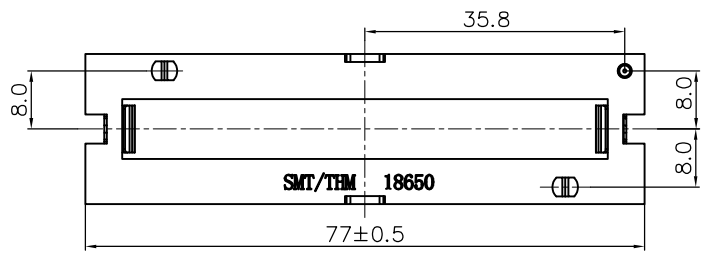
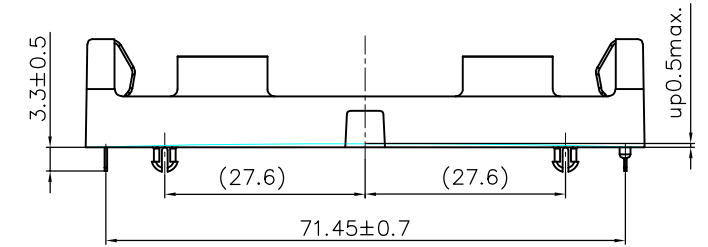
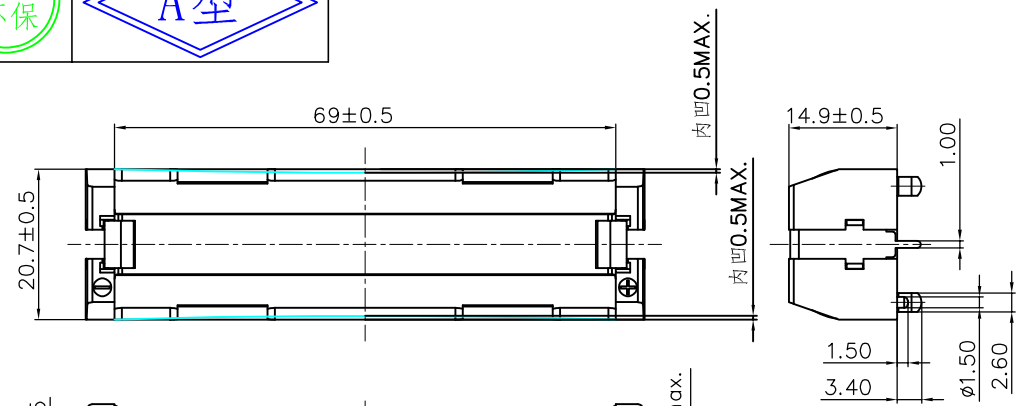


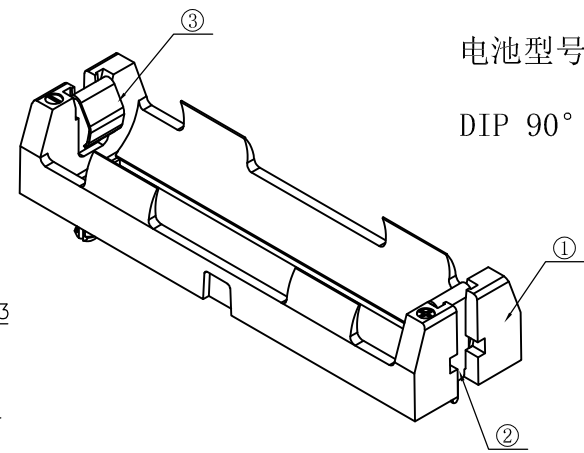


REV.	ECN NO.	REVISED	DATE

NOTE:
 1.MATERIAL:
 a.HOUSING:PA46 UL94 V-0 BLACK
 b.CONTACT:SUS304
 (SURFACE PLATING: Ni100U"~120U"")
 SEE ORDERING INFORMATION
 2.ELECTRIC:
 a.DIELECTNIC VOLTAGE: 500V AC ONE MINUTE
 b.OPERATING TEMPERATURE: -25°C~ +85°C



PCB Layout Diagram
TOP View



ORDERING INFORMATION
BH-18650-A6AJ012

电池盒

电池型号

DIP 90° TYPE

PLATING:
A-Au1U"
J-Ni100U"~120U"
K-Sn100U"~120U"

MATERIAL:
1A-PBT BLACK
1B-PA66 BLACK
2A-PPA BROWN
2B-PPA BLACK
3A-PPS BROWN
3B-PPS BLACK
4A-LCP WHITE
4B-LCP BLACK
5A-PA9T BLACK
6A-PA46 BLACK



3	TERMINAL-	1	SUS304 T=0.35MM	Ni(100-120u")-Plating
2	TERMINAL+	1	SUS304 T=0.35MM	Ni(100-120u")-Plating
1	HOUSING	1	PA46 UL94 V-0	BLACK
NO.	PART NAME	Q'TY	MATERIAL	PLATING & COLOR

UNLESS OTHERWISE SPECIFIED TOLERANCES		MYOUNG 美用 www.meiyangdz.com	
DECIMALS: X :±0.50 X.X :±0.30 X.XX :±0.25 X.XXX :±0.1	ANGLES: X :±3° X.X :±1°	DSND	Huanglieqing
WEIGHT:		DATE	2023-09-01
SHEET 1 OF 1		CHKD	ZhouRuicai
		DATE	2023-09-01
		APVD	XueShunyong
		DATE	2023-09-01
		SCALE:	SIZE: A4
		VIEW:	⊕ ⊖
		UNIT: mm	REV.: A/0
		OBJECT: MY	DRAW NO.:MY-CP-0373

TITLE: 电池盒BH-18650-1J Ni
DIP带柱 双负极弹片
PART NO.:
BH-18650-A6AJ012