

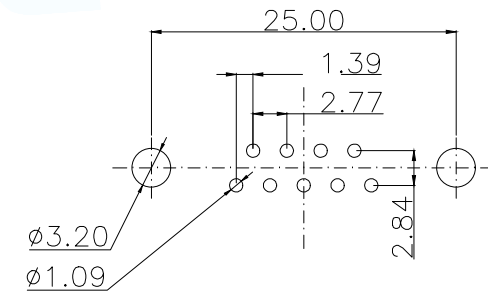
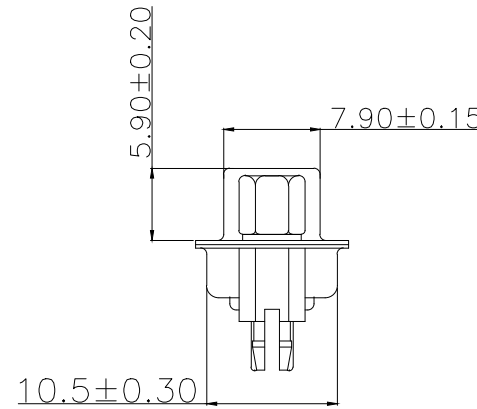
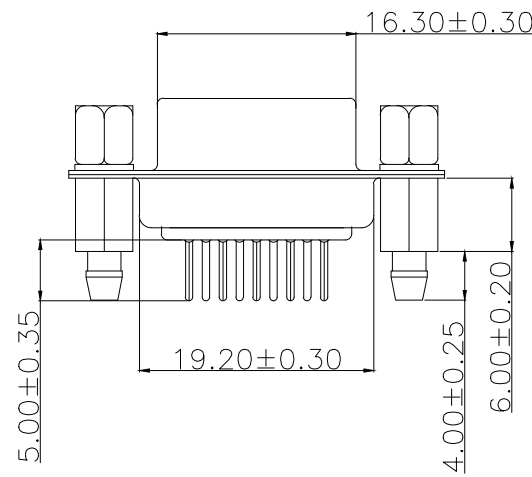
-, MATERIAL:

- 1.Insulator:PBT+30%Glass Fiber
- 2.Contact:Brass
- 3.Contact Plated:Gold Flash over Tin Or Glod Plated Or Tin Plated
- 4.Shell:Steel,Nickel Plated

≡, SPECIFICATION:

- 1.Current Rating:5 AMPS
- 2.Insulation Resistance: 100MΩ MIN. At 500VDC
- 3.Dielectric Strength: 500V for One minute
- 4.Operation Temperature: -55° C~+105° C.

✳【胶芯颜色、防火要求、环保要求及电镀规格 依据客户实际订单要求为准】



RECOMMEND PCB LAYOUT (T=1.6)
PCB TOLERANCE:±0.05

MANUFACTURE DWG		 东莞市讯普电子科技有限公司 DongGuan XunPu Electronics Co.,Ltd	
UNLESS OTHERWISE SPECIFIED TOLERANCES			TITLE: DP9F插板铜鱼叉锁螺丝
DECIMALS:	ANGLES:		PAR D-SUB-DP-9PSM-AD
X.X±0.30	X.*±5°		DWN
X.XX±0.25	X.X°±2°		CHKD
X.XXX±0.15	X.XX°±1°	APVD	SCALE N:A
CUSTOMER COPY		SIZE:A4	UNIT:MM
		SHEET:1F1	REV:A