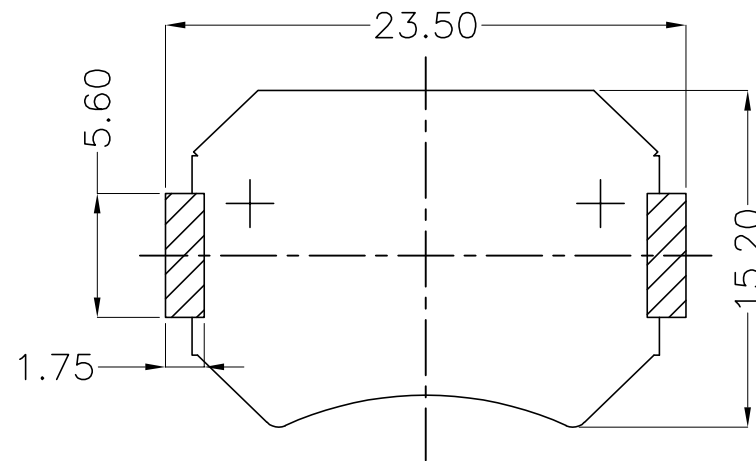
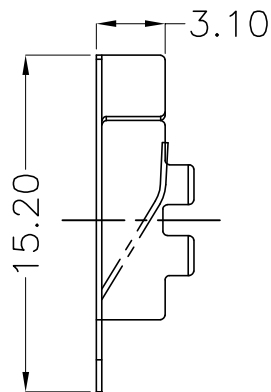
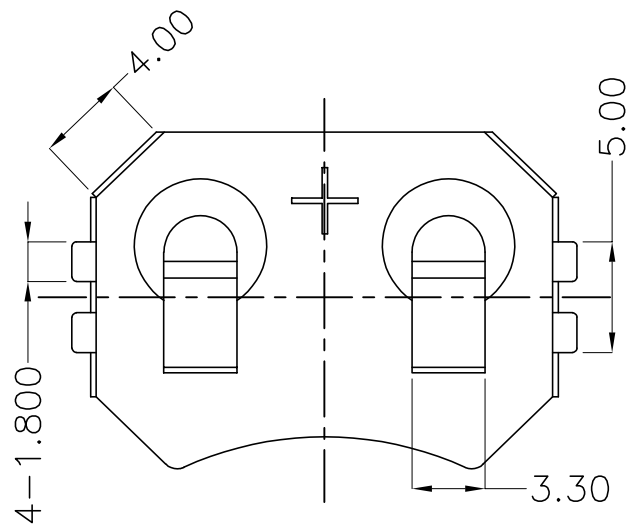
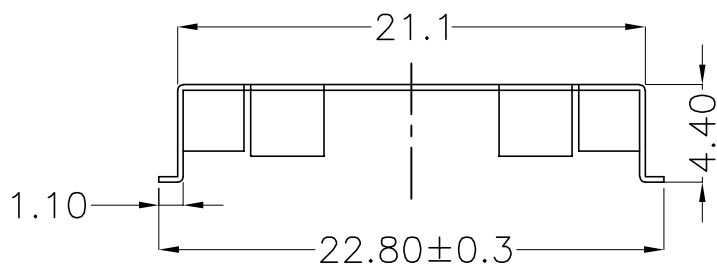




REV.	ECN NO.	REVISED	DATE



PCB Layout Diagram  
Top View



工程部  
2023-09-15  
LQ. HUANG

UNLESS OTHERWISE SPECIFIED TOLERANCES		<b>MYOUNG 美用</b> <a href="http://www.meiyangdz.com">www.meiyangdz.com</a>			
DECIMALS: X :±0.30 X.X :±0.25 X.XX :±0.20 X.XXX :±0.10	ANGLES: X :±1° X.X :±0.5°	DSND	Huanglieqing	DATE	2023-09-15
		CHKD	ZhouRuicai	DATE	2023-09-15
		APVD	XueShunyong	DATE	2023-09-15
WEIGHT: 9		SCALE:	SIZE: A4	VIEW:	⊙ ⊞
SHEET 1 OF 1		UNIT: mm	REV.: A/0	OBJECT: MY	DRAW NO.:MY-CP-0379
TITLE:		电池扣CR2032-P Ni SMT 铁料			
PART NO.:		MY-2032-08-J-Fe			

1	TERMINAL(+)	1	SPCC(COLD STEEL) T=0.25mm	Ni-Plating
NO.	PART NAME	Q'TY	MATERIAL	PLATING & COLOR