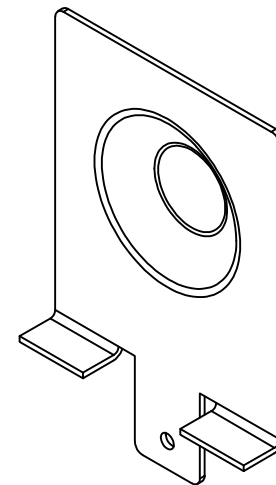
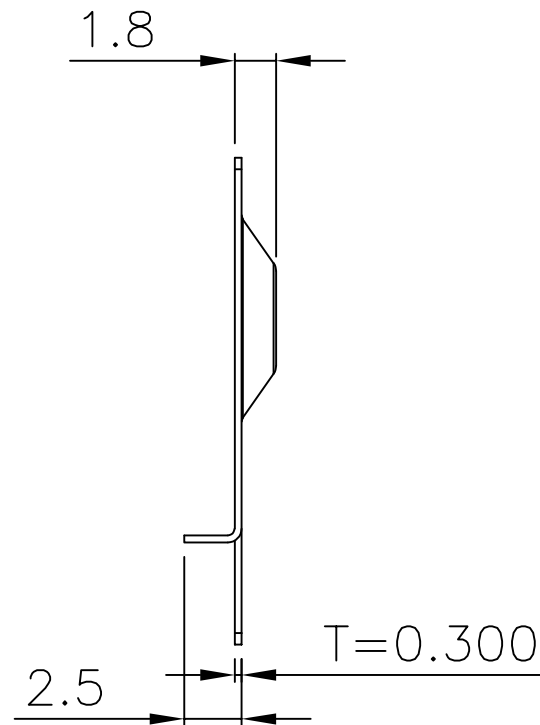
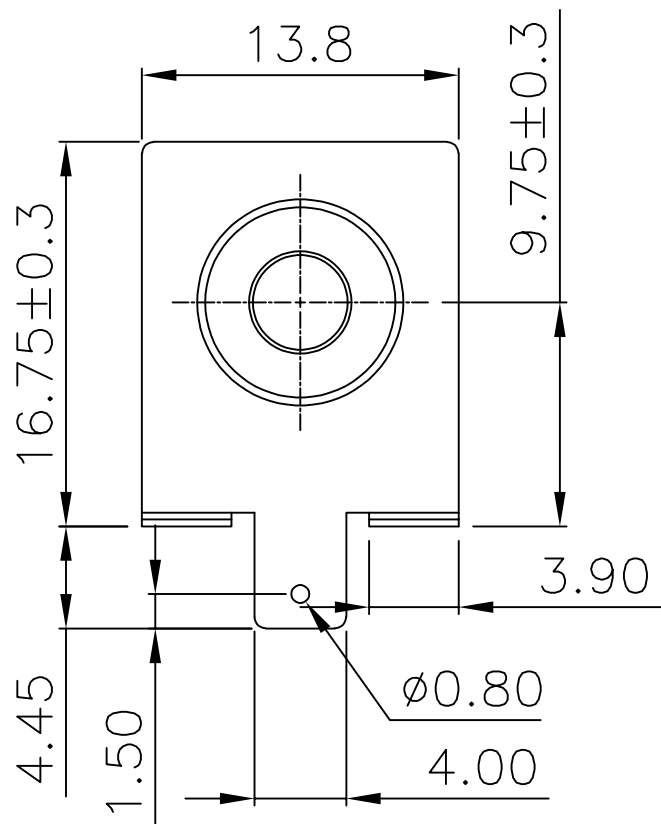




REV.	ECN NO.	REVISED	DATE



工程部
2023-10-10
H. WANG

技术要求:

- 1、截剪断面毛刺高度 $\leq 0.03\text{mm}$;
- 2、部件要求平整,无变形、裂纹、损伤等外观缺陷;

UNLESS OTHERWISE SPECIFIED TOLERANCES		MYOUNG 美用 www.meiyangdz.com	
DECIMALS: X :±0.30 X.X :±0.25 X.XX :±0.20 X.XXX :±0.10	ANGLES: X :±1° X.X :±0.5°	DSND YangFeng	DATE 2023-10-10
		CHKD WangHeng	DATE 2023-10-10
		APVD XueShun Yong	DATE 2023-10-10
WEIGHT:		SCALE: 1:1	SIZE: A4
SHEET 1 OF 1		VIEW:	
		UNIT: mm	REV.: A/0
		OBJECT: MY	DRAW NO.:WD-CP-0345

1	TERMINAL(+)	1	PHOSPHOR BRONZE, T=0.30mm	Ni-Plating
NO.	PART NAME	Q'TY	MATERIAL	PLATING & COLOR