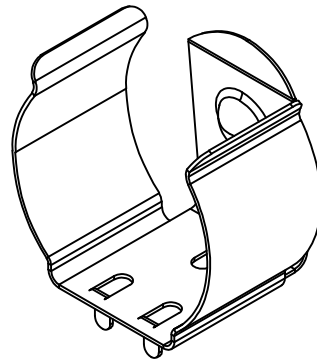
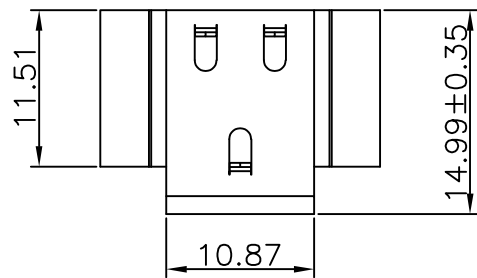
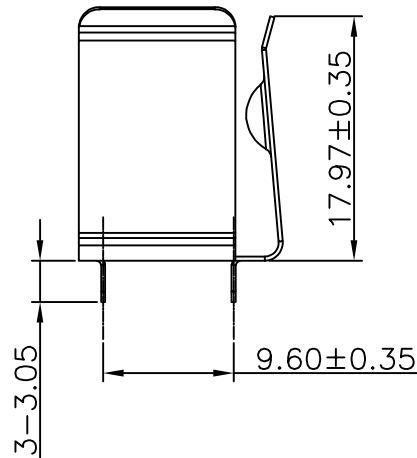
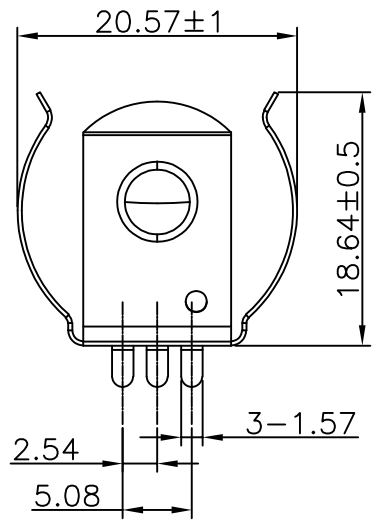
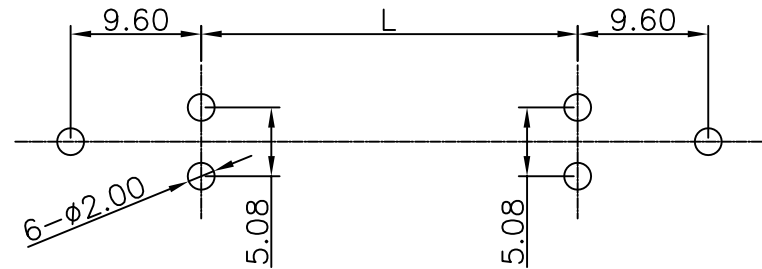




REV.	ECN NO.	REVISED	DATE



BATTERY SIZE	'L' DIMENSION
21700	47.03 MM
20700	47.03 MM
20600	37.03 MM



PCB Layout Diagram
Top View

工程部
2023-10-08
H. WANG

UNLESS OTHERWISE SPECIFIED TOLERANCES		MYOUNG 美用 www.meiyangdz.com	
DECIMALS: X :±0.30 X.X :±0.25 X.XX :±0.20 X.XXX :±0.10	ANGLES: X :±1° X.X :±0.5°	DSND YangFeng	DATE 2023-10-08
		CHKD WangHeng	DATE 2023-10-08
		APVD XueShunyong	DATE 2023-10-08
WEIGHT:g		SCALE:1:1	SIZE: A4
SHEET 1 OF 1		VIEW:	REV.: A/0
		UNIT: mm	OBJECT: MY
		TITLE: 21700电池夹01 Ni DIP	
		PART NO.: MY-21700-01-J	
		DRAW NO.:WD-CP-0347	

1	TERMINAL	1	SPRING STEEL T=0.30MM	Ni-Plating
NO.	PART NAME	Q'TY	MATERIAL	PLATING & COLOR
1		2		