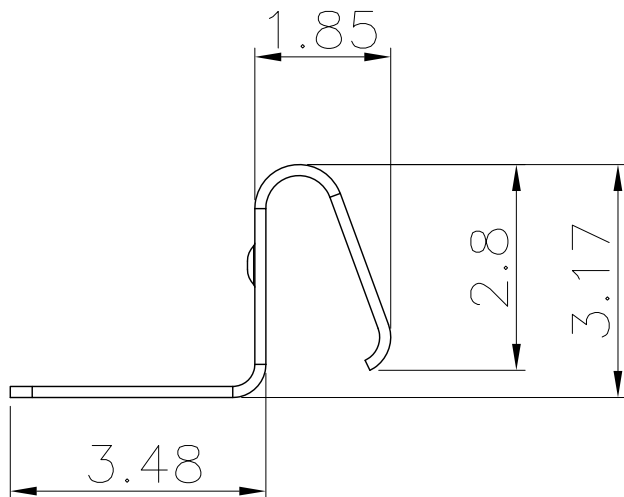
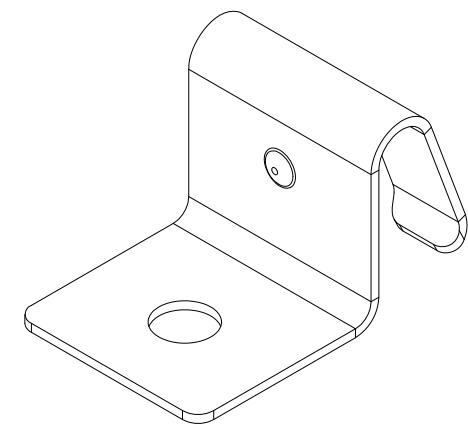
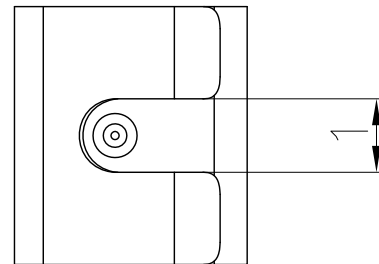
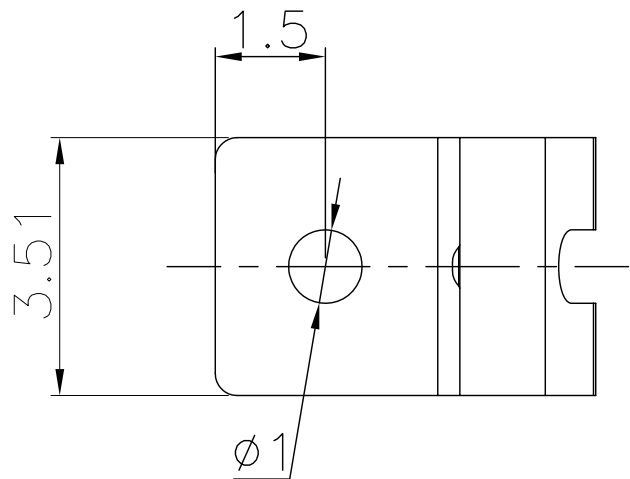




A型

REV.	ECN NO.	REVISED	DATE



工程部
2021-09-26
LQ. HUANG

UNLESS OTHERWISE SPECIFIED TOLERANCES		MYOUNG 美阳 www.meiyangdz.com			
DECIMALS: X :±0.30 X.X :±0.25 X.XX :±0.20 X.XXX :±0.10	ANGLES: X :±1° X.X :±0.5°	DSND	YangFeng	DATE	2021-09-26
WEIGHT:		CHKD	ZhouRuicai	DATE	2021-09-26
SHEET 1 OF 1		APVD	XueShunyong	DATE	2021-09-26
		SCALE:	SIZE: A4	VIEW:	
		UNIT: mm	REV.: A/1	OBJECT: MY	
		TITLE:		电池接触片-110 K 正极 镀铜	
		PART NO.:		MY-ZJ-110PT	
		DRAW NO.:		MY-CP-0277	

1	TERMINAL(+)	1	QBeCu T=0.15mm	Au-Plating after heating
NO.	PART NAME	Q'TY	MATERIAL	PLATING & COLOR