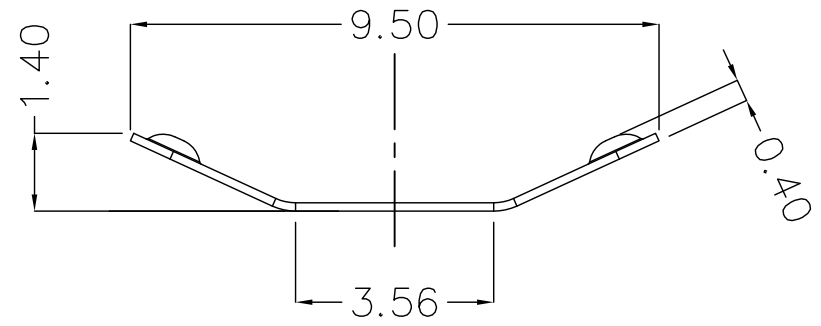
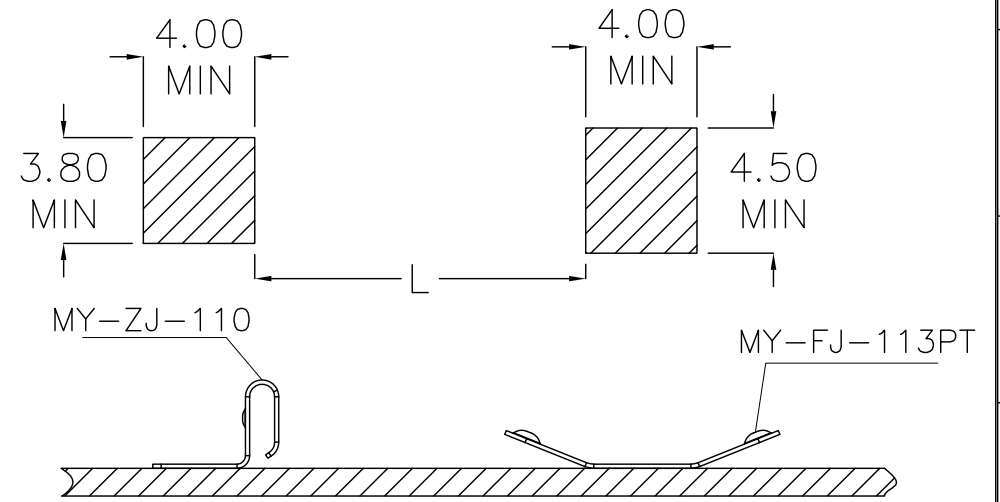
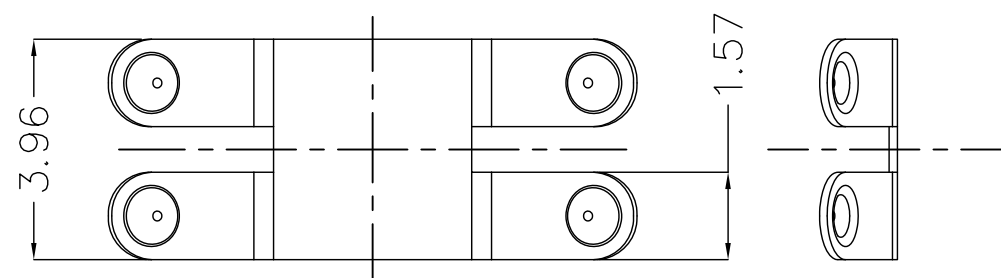




REV.	ECN NO.	REVISED	DATE

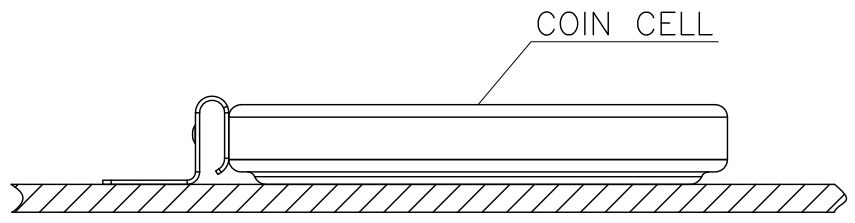


S:2:1

MTG LAYOUT USE WITH MY-113PT

COIN CELL DIA.	LDM.
20MM	9.40
23MM	10.90
24MM	11.40
30MM	14.40

工程部  
2020-07-13  
LQ. HUANG



UNLESS OTHERWISE SPECIFIED TOLERANCES		<b>MYOUNG 美用</b> <a href="http://www.meiyangdz.com">www.meiyangdz.com</a>	
DECIMALS: X :±0.30 X.X :±0.25 X.XX :±0.20 X.XXX :±0.10	ANGLES: X :±2° X.X :±1°	DSND YangFeng	DATE 2020-07-13
WEIGHT:		CHKD ZhouRuicai	DATE 2020-07-13
SHEET 1 OF 1		APVD XueShunyong	DATE 2020-07-13
TITLE:		SCALE:	VIEW:
PART NO.:		SIZE: A4	OBJECT: MY
DRAW NO.:MY-CP-0232		UNIT: mm	REV.: A/0

1	TERMINAL(-)	1	C17200 T=0.15mm	Au-Plating
NO.	PART NAME	Q'TY	MATERIAL	PLATING & COLOR