

RoHS

客户图

目錄
MAPX

设变内容
MODIFICATION

日期
DATE

A0

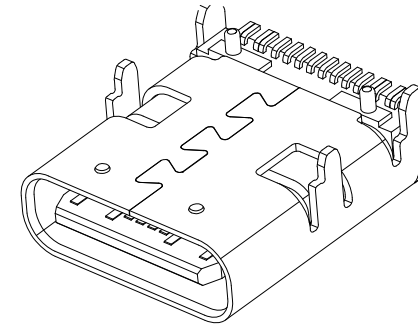
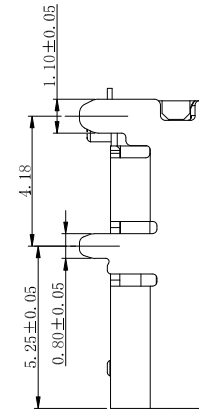
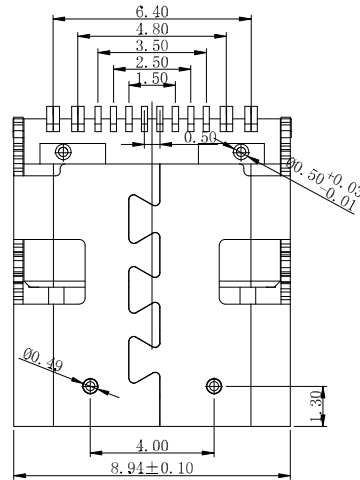
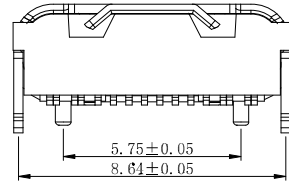
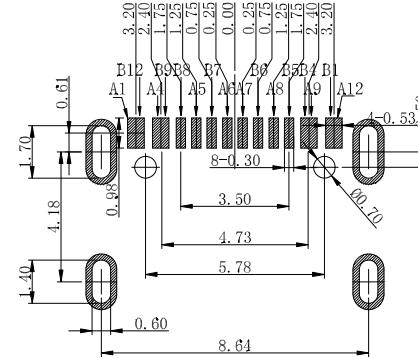
NEW

09-10-20

NOTES:

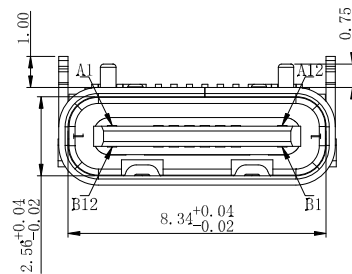
SPECIFICATION:

1. CURRENT RATING: 5A MAX
2. VOLTAGE: 100 VAC
3. TEMPERATURE RANGE: -30 °C ~ 85 °C
4. CONTACT RESISTANCE: 40 MILLIONHM
5. INSULATION RESISTANCE: 100 MEGOHMS MIN.
6. INSERTION FORCE : 5N~20N
7. UNMATING FORCE: 8N~20N
8. DURABILITY: 10000 CYCLES



A1	GND	B12	GND
A4	VBUS	B9	VBUS
A5	CC1	B8	SBU2
A6	DP1	B7	DN2
A7	DN1	B6	DP2
A8	SBU1	B5	CC2
A9	VBUS	B4	VBUS
A12	GND	B1	GND
PIN	SIGNAL NAME	PIN	SIGNAL NAME

6	SHELL	STAINLESS STEEL	NI/SN Plated	IFCS
5	SHIELDING PLATE	STAINLESS STEEL	---	IFCS
4	MD	HIGH TEMPERATURE PLASTIC	BLACK	IFCS
3	CONTACT	COPPER ALLOY	Au/Ni Plated	1SET
2	CONTACT	COPPER ALLOY	Au/Ni Plated	1SET
1	HOUSING	HIGH TEMPERATURE PLASTIC	BLACK	IFCS
NO.	DESCRIPTION	MATERIAL	REMARKS	QTY



产品图

PRODUCT CHART DWG

深圳市精拓金电子有限公司

公差一览表

TOLERANCE UNLESS OTHERWISE			
X.	±0.30	X'.	±5'
.X	±0.25	.X'	±2'
.XX	±0.20	.XX'	±1'
.XXX	±0.15	.XXX'	±0.5'

单位 UNITS	MM	制图 DRAWING	叶江阳	产品料号 PRODUCT PART NO.	918-318K2023S40000
比例 SCALE	1:1	审核 CHKD	郭治富	产品名称 PRODUCT NO.	Type C 16p母座板上型 L=10.0
日期 DATE	2009/10/20	核准 APPD	黄国荣	联系方式 Mailbox/ueb	