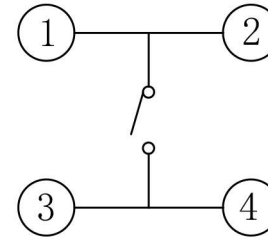
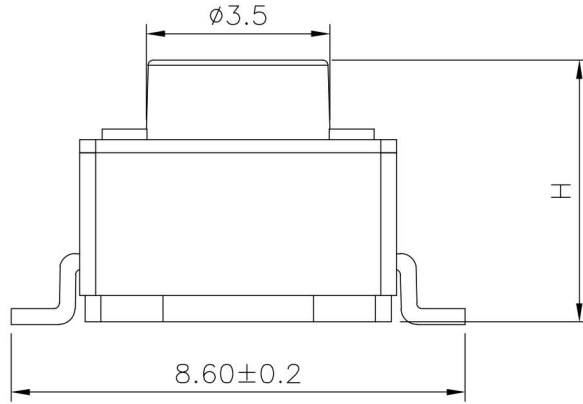
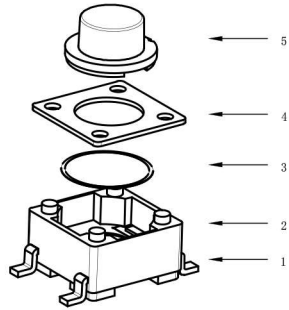


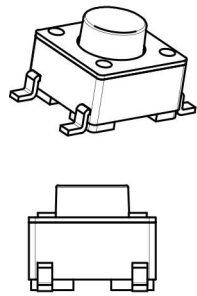
RoHS

CAD GENERATED DRAWING. DON'T CHANGE BY HAND.

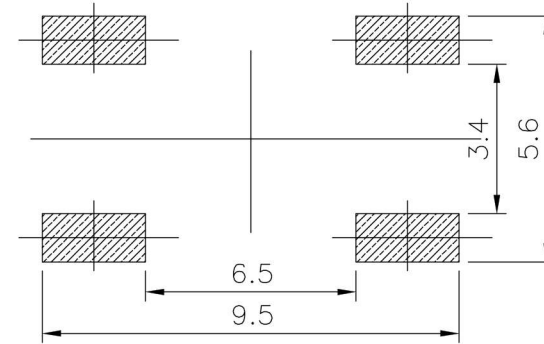
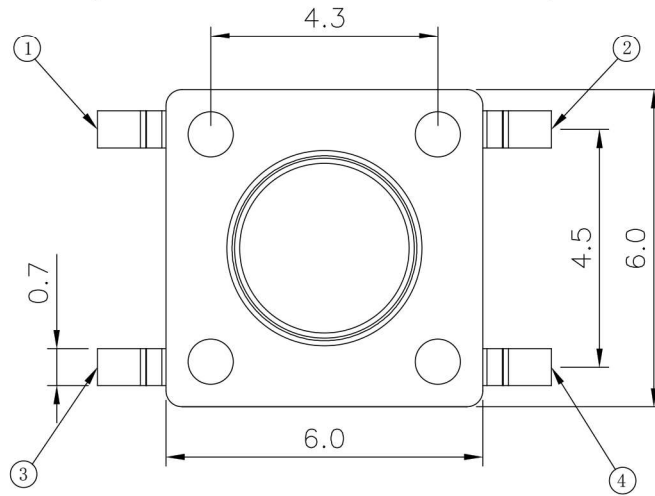
REV.	ECN. NO.	APPD.



CIRCUIT DIAGRAM



Specification



PCB. WELDING DRAWING

Packaging:
 A reel of 1000 pieces for 4.3~6.5H
 A reel of 800 pieces for 7.0~7.5H
 A reel of 700 pieces for 8.0~8.5H
 A reel of 500 pieces for 9.0~15.0H

Operating Life	100,000
Contact rating	50mA@12V DC.
Insulation resistance	100MΩ min.
Contact resistance	100mΩ max. initial
Dielectric Strength	250 V AC(1mm)
Travel	0.2±0.1mm
Storage Temperature	-30° C to 85° C

Mechanical

ITEM	DESCRIPTION	MATERIAL	QTY	FINISH/COLOR
E	Button	PPA	1	Black
D	COVER	Brass	1	Cleaning
C	DOME	Stainless Steel	1	Plated Ag
B	HOUSING	PPA	1	Black
A	PIN	PHOSPHOR BRONZE	1	Plated Ag

Type	Operating Force (gf)	Height mm	Button Shape (G, J, T)	Ground pin (0, 1)	Pegs (0, 1)
BTS00003	2 (260±50) 1 (180±50) 0 (100±30)	Q	15.0	B (BLACK)	0 (None)
		P	13.0		
		O	12.0		
		N	11.0		
		M	10.0		
		R	9.5		
		L	9.0		
		K	8.5		
		J	8.0		
		H	7.5		
		G	7.0		
		F	6.5		
		E	6.0		
D	5.5				
C	5.0				
B	4.5				
A	4.3				

THESE DRAWINGS AND SPECIFICATIONS ARE THE PROPERTY OF Bozhong TECHNOLOGY CO.,LTD AND SHALL NOT BE REPRODUCED.

X. ±0.50	X. ° ±2°	UNITS mm	东莞博众 东莞市博众电气有限公司 DGBZ ELECTRIC Dongguan Bozhong Electrical Co., Ltd
.X ±0.30	.X° ±1°		
.XX ±0.10	.XX° ±0.5°	MAT'L	SERIES NO. BTS0D003
.XXX ±0.05		FINISH	TITLE: TACTILE SWITCH 6*6 SMT (10mm)
Q'TY		APPD: ROGER	DWG NO. : BTS0D003
		CHKD: ROC	SCALE SHEET REV. 1/1 1/1 A1
		DR: BILLY WANG 2020/08/21	