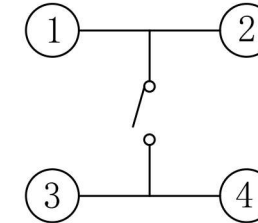
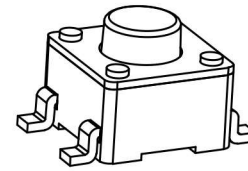


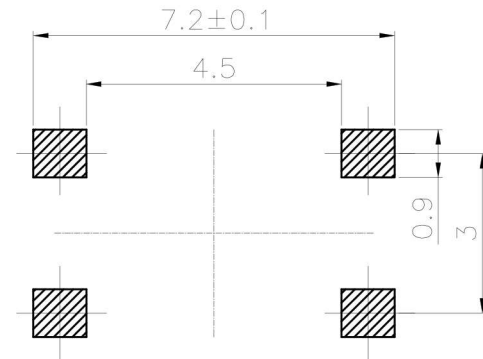
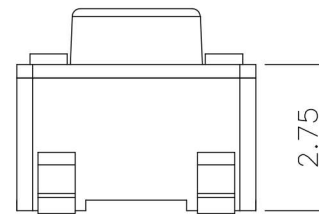
RoHS

CAD GENERATED DRAWING. DON'T CHANGE BY HAND.

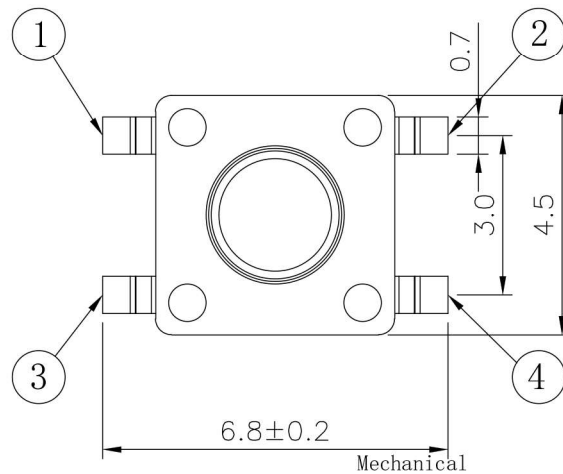
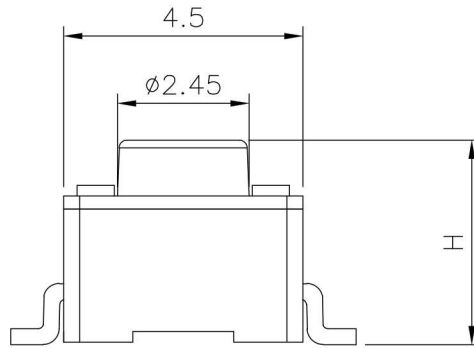
REV.	ECN. NO.	APPD.



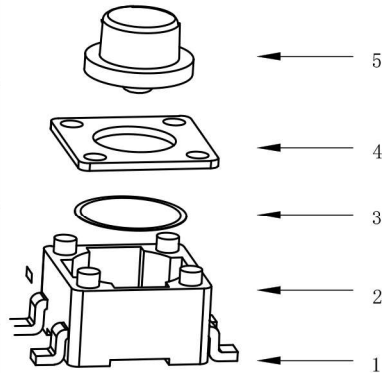
CIRCUIT DIAGRAM



PCB. WELDING DRAWING



Mechanical



Specification

Operating Life	100,000
Contact rating	50mA@12V DC.
Insulation resistance	100MΩ min.
Contact resistance	100MΩ max. initial.
Dielectric Strength	250 V AC(1mm)
Travel	0.2±0.15mm
Storage Temperature	-40° C to 85° C

ITEM	DESCRIPTION	MATERIAL	QTY	FINISH/COL. OR
E	Button	PPA	1	Black
D	COVER	Brass	1	Cleaning
C	DOME	Stainless Steel	1	Plated Ag
B	HUSING	PPA	1	Black
A	PIN	PHOSPHOR BRONZE	1	Plated Ag

Type	Operatin g Force (gf)	Height mm	Button	Leads Shape (G, J, T)	Ground pin (0, 1)	Page Option (0, 1)
BTS0C0015	260±50	R	11.0	B (BLACK)	G	0 (None)
		Q	10.0			
		P	9.5			
		N	9.0			
		M	8.0			
		L	7.5			
		K	7.0			
		J	6.5			
		H	6.0			
		F	5.5			
		G	5.0			
1	180±50	E	4.8			
		D	4.5			
		C	4.3			
		T	4.0			
		B	3.8			
		A	3.5			

X. ±0.50	X.° ±2°	UNITS
.X ±0.30	.X° ±1°	mm
.XX ±0.10	.XX° ±0.5°	MAT'L
.XXX ±0.05		FINISH
THESE DRAWINGS AND SPECIFICATIONS ARE THE PROPERTY OF Bozhong TECHNOLOGY CO.,LTD AND SHALL NOT BE REPRODUCED.		Q' TY

		<b>东莞市博众电气有限公司</b> Dongguan Bozhong Electrical Co., Ltd	
SERIES NO. <b>BTS0C0015</b>		TITLE: <b>TACTILE SWITCH 4.5*4.5 SMT</b>	
APPD: ROGER		DWG NO.: <b>BTS0C0015</b>	
CHKD: ROC		SCALE SHEET REV.	
DR: BILLY WANG 2020/08/21		1/1	A1

Packaging:  
 Reel of 2,000 pieces for 3.5~4.5H.  
 Reel of 1,500 pieces for 4.8~5.5H.  
 Reel of 1,000 pieces for 6.0~9.5H.